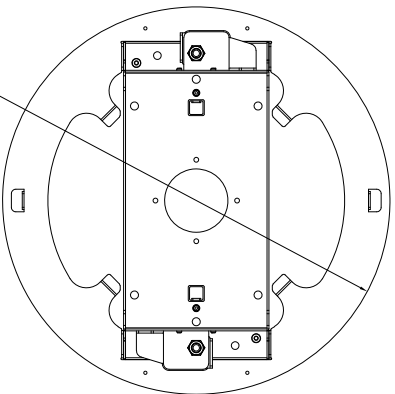
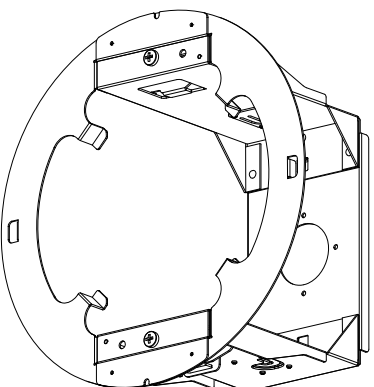
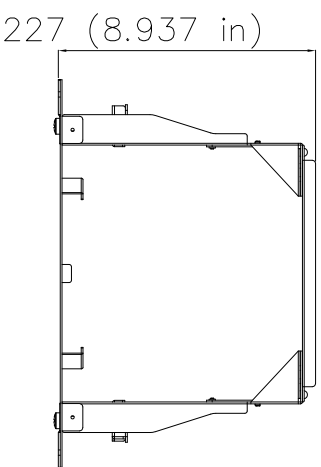
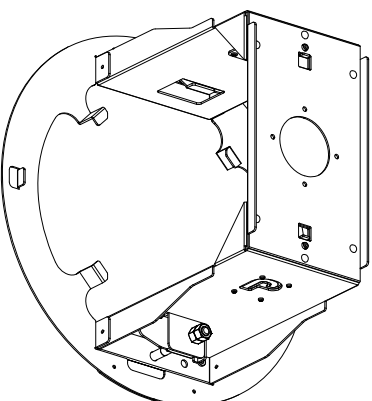


3610-0607-83A0

**tyco**



∅342 (13.464 in)



Information	
Part	Material
Bottom Bracket	SECC
Side Bracket	A1050
Top Bracket	A1050
	Color
	Black
	Black
	Black

(Unit): mm (inch)

General Notes

3610-0607-83A0

No. Revision/Issue Date

**tyco**

IFPTZWRECM12

Project Name

Date

Scale

*Illustra Flex Gen 2 PTZ Recess Mount*