

In the box

- 1 x Network PTZ Camera
- 1 x Printed Quick Start Guide
- 1 x Printed Regulatory document
- 1 x NTSC/PAL output female BNC cable
- 1 x 2 position 3mm euro style plug
- 1 x Torx 20 Security L-Key
- 1 x Torx 6 Security L-Key
- 1 x Torx 10 Security L-Key
- 1 x 12-pin terminal connector for I/O function
- 1 x Safety cable (Pre-attached to the camera)

Installation tools

- 1 x Drill
- 1 x Screw drivers
- 1 x Wire cutters



Table 1: Pictorial index descriptions

Button / connections	Description
1	NPT Pendant Cap
2	Screws (x2) to open and lock the top cover
3	Top cover
4	Camera lens
5	Camera head

Removing the bubble from the camera (IFS02P6ISWTT)

Note: This is only applicable to specific indoor units with bubble.

- A. Remove the three screws located on the camera head (1) (Figure 2).

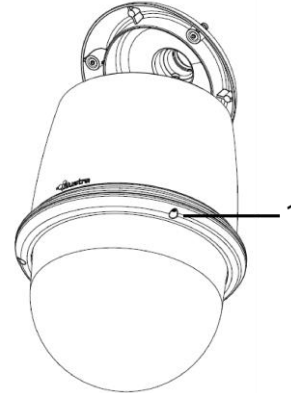


Figure 2

Removing the bubble from the camera (IFS02P6ISWTT) (continued)

- B. Carefully remove the bubble unit (1) (Figure 3)

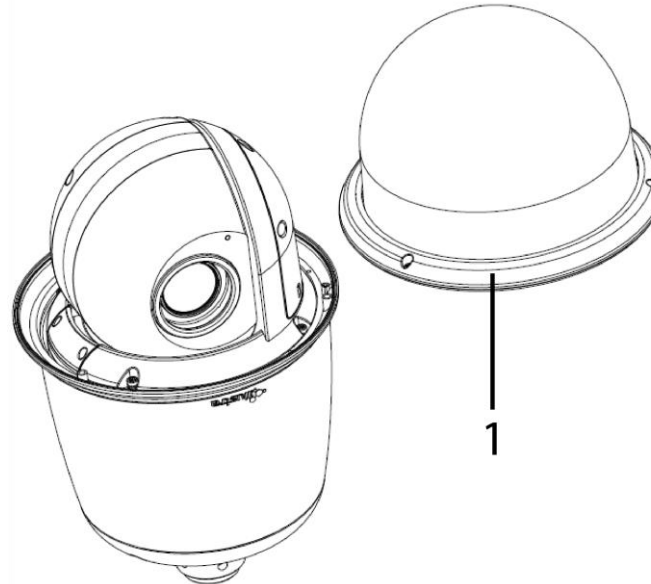


Figure 3

Accessing the connector pins

- A. Remove the two screws located on the top cover (1) (Figure 4) to open it.

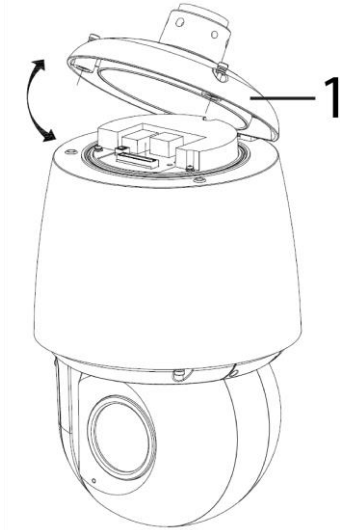


Figure 4

Quick reference

- Default IP: 192.168.1.168 (DHCP enabled)
- Default Username and Password: admin

Note: For PTZ units that include a bubble ensure that all bubble packaging is removed before powering up the unit. Also, remove the additional packaging inside the bubble cap.

Pictorial Index of the camera (IFS02P6INWIT / IFS02P6ONWITA)

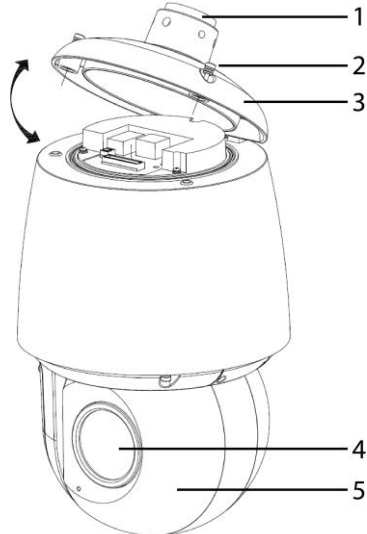


Figure 1

Figure 3: Location and descriptions of the buttons / connections

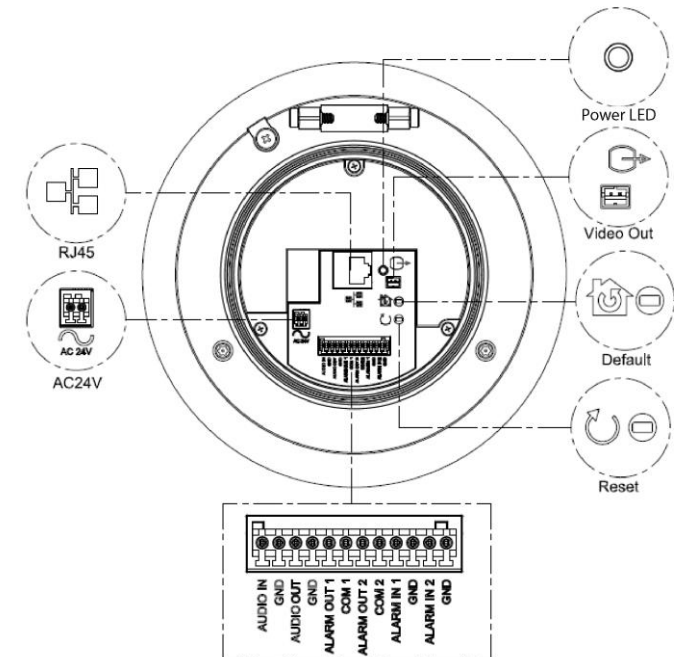


Figure 5

Installing the rubber cable seal in to the NPT pendant cap

- A. Securely place the rubber cable seal (1) (Figure 6) into the NPT pendant cap (2) (Figure 6).

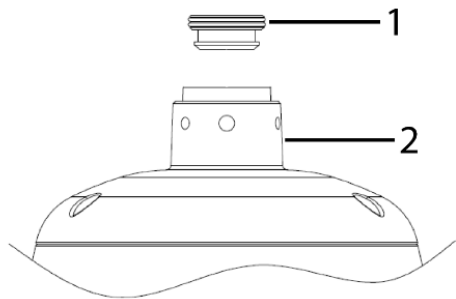


Figure 6

Connecting the wires

This unit supports one of the following options as power supply:

1. Connect a power source.
 - AC24V wired to connector and separate RJ45 Ethernet. And / Or
 - PoE through RJ45 connector. Indoor units operate with IEEE 802.3at PoE+ (25W). The Outdoor unit operates with IEEE 802.3bt (51W).
2. Connect any optional audio or digital inputs or outputs.

Note: After connecting all cables ensure that the two screws on the top cover are securely attached.

Mounting the camera

Refer to the Illustra mounting accessories webpage

<https://www.illustracameras.com/products/accessories/mounts> for assistance.

The following mount accessory part numbers are applicable with the Illustra Flex 2MP PTZ camera: IFIRPTZWRECMT, IFIRPTZC2X2, RHOSW, RHOLW, RHOTR, ROTRF, RHOWCA, ROENDC.

Inserting or removing the micro SD card

Note: For PTZ units that include a bubble you must remove the bubble before accessing the micro SD card slot.

- A. Remove the two screws (1) (Figure 7) located on the micro SD card cover.
- B. Carefully pull open the cover to insert (or remove) the micro SD card into (or from) the camera.

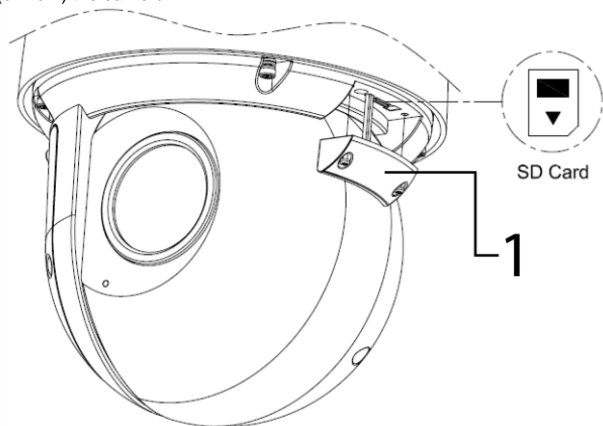


Figure 7

Inserting or removing the micro SD card (continued)

Note: It is advised that you reboot the camera after inserting the micro SD card.

- C. Secure the two screws (1) (Figure 7) located on the micro SD card cover.

Installing the mount adaptor on to the NPT pendant cap

- A. Place the mount adaptor (1) (Figure 8) on to the NPT pendant cap (2) (Figure 8) and align the holes on the mount adaptor with the holes on the NPT pendant cap.
- B. Insert the five threaded screws into the five holes and use the Torx security L-Key to securely attach the screws and the mount adaptor to the NPT cap.

Note: To maintain the waterproof seal only pierce holes that are required for the installation.

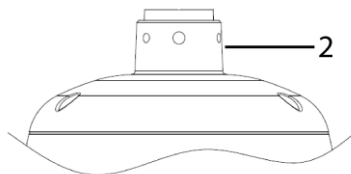
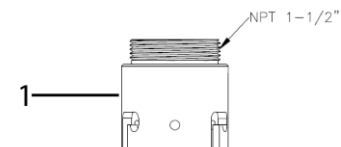


Figure 8

Warnings

1. Installation and service should be performed only by qualified and experienced technicians and comply with all local codes and rules to maintain your warranty.
2. Wipe the camera with a dry soft cloth. For tough stains, slightly apply with diluted neutral detergent and wipe with a dry soft cloth.
3. Do not apply benzene or thinner to the camera, which may cause the surface of the unit to be melted or lens to be fogged.
4. To meet EU EMC immunity requirements for security equipment the mains power for equipment powering this unit should be backed up by an uninterruptible power supply.
5. Avoid operating or storing the unit in the following locations:
 - a. Near fluorescent lamps or objects with reflections.
 - b. Under unstable or flickering light sources.

© 2019 Johnson Controls. All rights reserved.

JOHNSON CONTROLS, TYCO and ILLUSTRRA are trademarks and/or registered trademarks. Unauthorized use is strictly prohibited.