

Insight Camera

Intelligent frictionless access



Key Features

- Harmonized frictionless access control and video solution
- Less than one second recognition time
- Designed to support alerts for tailgating*
- Senses liveliness
- Flags tailgating
- Access control and video from a single manufacturer to streamline support
- Built-in speaker and microphone enables two-way communication
- Cyber security protection with no Ethernet at the door

*Alerts for tailgating configured via integrated access control solution

Insightful movement of people in buildings, places and spaces

The Illustra Insight combines the quality surveillance of a leading-edge facial recognition camera integrated with a comprehensive access control device. Engineered with deep learning algorithms and cyber security protocols the device is designed to create a frictionless, unobtrusive experience for all. Integrated LEDs combine with audible "Welcome/Deny" prompts and SIP intercom functionality (available in future release) for instant feedback and remote operator control.

Facial Recognition Enabled by Tyco AI

Tyco AI artificial intelligent is a cerebral engine that goes beyond surveillance and access to enhance a security ecosystem. Illustra Insight integrates with Tyco AI to enhance the best in class video surveillance and access control solutions from Tyco with leading-edge facial recognition that is designed to identify and alert security to tailgating and eliminate the risk of card pass back or spoofing via photographic image.

Illustra Insight utilizes two lenses and a combination of IR and RGB video to distinguish between an actual person and a printed image or video of them, greatly increasing the accuracy while reducing false positives. The wider field of view allows faces to be detected at varying heights including wheelchair and taller individuals.

Access Control Integrations

Designed and supported by a single manufacturer, the Insight is enabled via an embedded integration into C-CURE 9000 and CEM Systems AC2000 (v10.3) access control with a native graphic user interface. Install into areas with both traditional and modern wiring protocols via onboard Weigand and OSDP. For C-CURE customers, Duo mobile authentication offers an additional layer of security when strict perimeters must be maintained.

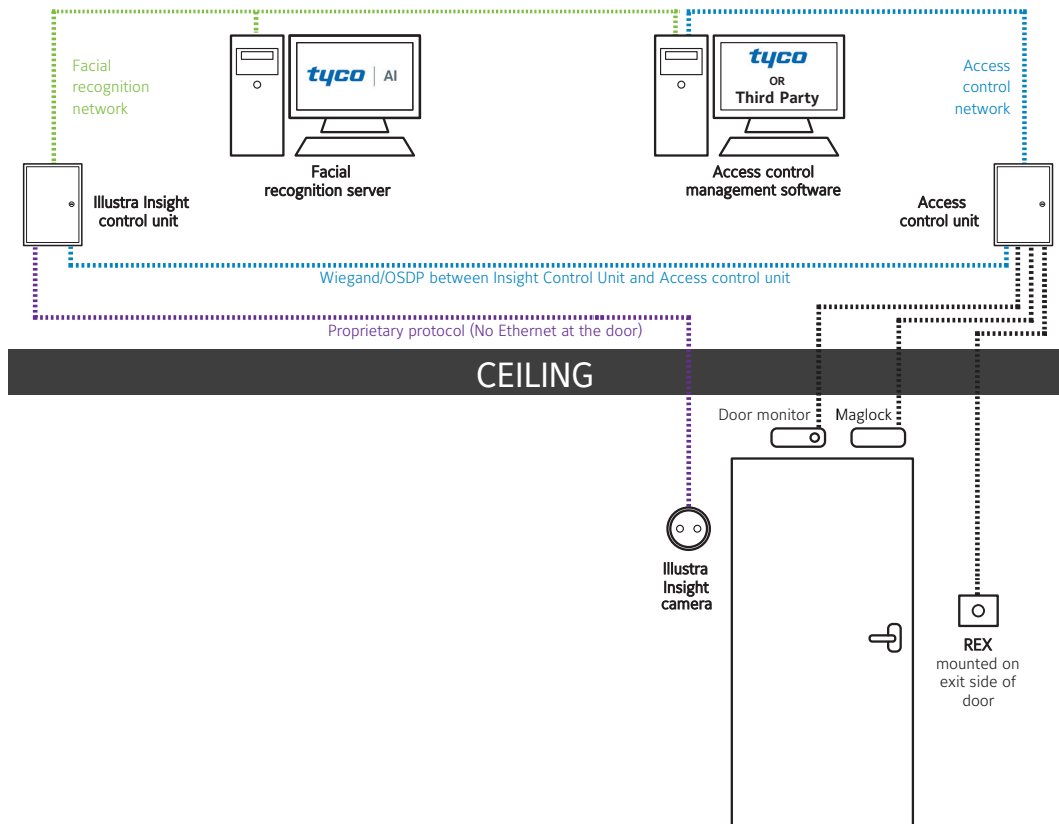
Engineered with a Cybersecure Mindset

The Illustra Insight has been designed to be resilient against cyber-threats. This access control solution does not share personal information beyond the required biometrics to make a positive match. Illustra Insight also adheres to the rigorous standards of the Johnson Controls Cyber Solutions Product Security Program. The holistic approach to cyber protection is aimed at providing peace of mind to our customers. Our security mindset begins at initial design concept and is supported through deployment, including a rapid incident response to meet the comprehensive and evolving cybersecurity environments.

Tyco Frictionless Access Deployment Options



Tyco Frictionless Access Architecture



Technical Specifications

Operational

Video Compression	H.264 & MJPEG
Max Frame Rate	20 fps
Resolution & Aspect Ratio	1920x1080 (1080p) 16:9 Stereo or 3840x1080
Video Streams	Single or Dual Concatenated
Imager	Progressive Scan, CMOS, 1/3.2" 13MP (4:3)
Image Orientation Settings	None, Mirror, Flip, Flip & Mirror
Lens Type	Fixed, Fixed Iris/Aperture 2.8mm
Focus Control	Fixed
Focal Length	2.8mm
Field of View (HxV)	85°/63°
Shutter Speed	1/4 - 1/10,000
Lens Aperture	F2.8
IR Illumination	Yes
IR Distance	2m
IR Filter	850nm
Dynamic Range	69dB
Day/Night	Dual Concatenated only
Privacy Zones	3
Face Recognition	Through Tyco AI or Cloud Service
Turnstile mode	Yes
Audio	Bi-Directional Full Duplex
Simultaneous Users	3
Supported Languages	Arabic, Chinese (Simplified), Chinese (Traditional), Czech, Danish, English (default), French, German, Hungarian, Italian, Japanese, Korean, Netherlands, Polish, Portuguese, Russian, Spanish, Swedish, Turkish

Network

Ethernet Interface	10/100/1000Mbps (BaseT), RJ45, Auto-Negotiation
Supported Protocols	TCP/IP, IPv4, TCP, UDP, HTTP, DHCP, DNS, DDNS, RTP, TLS, RTSP, ICMP, Unicast, NTP, WS-Security, CIDS, FSTP, UPnP™, SIP
Satellite Camera Connection	Cat6 Shielded patch cable, Max distance 10 Meters, dd proprietary protocol
Access Control Interface 1	Wiegand (DO, D1, LED Rd,Yel,Gn) Cable Type - Belden 6543PA or equivalent
Access Control Interface 2	OSDP V2 (RS485 Half Duplex) Cable Type - Belden 82723 or equivalent

Configuration Management

Web Browsers	IE9 & above, Firefox, Safari, Chrome
Security	Secure Boot, TLS 1.2 (256 bit cipher minimum); RTSP Authentication; Role-Based Access Control

Electrical

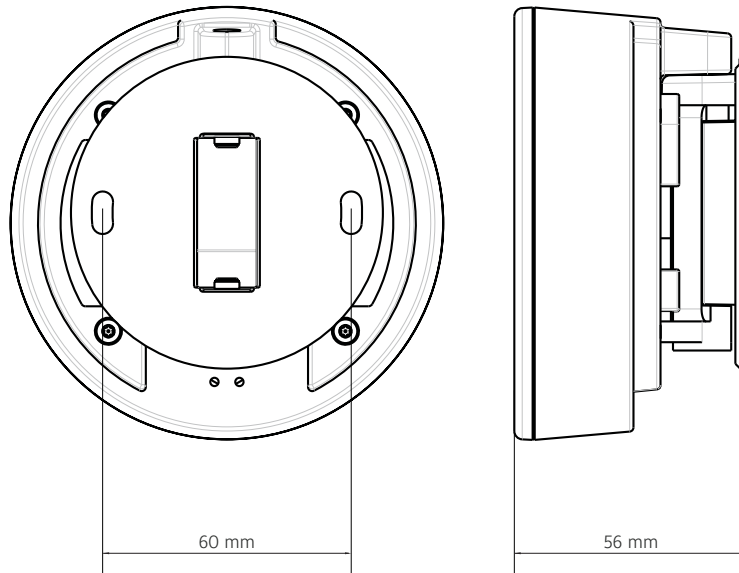
Power	Power over Ethernet IEEE 802.3bt Type 3 Class 5 Max Draw: 40W
-------	------------------------------------------------------------------

Physical

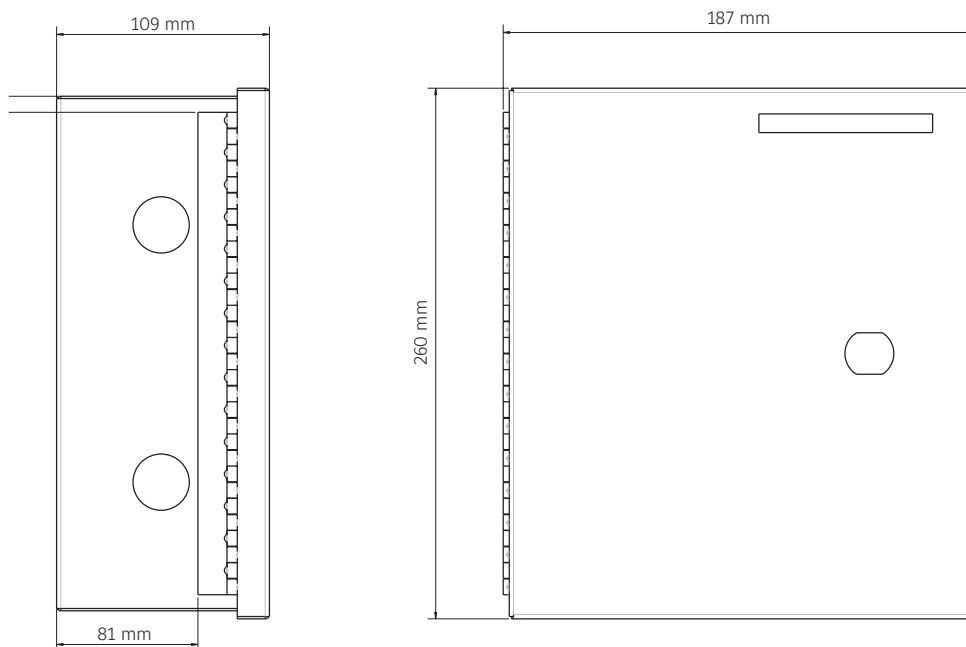
Dimensions (HxWxD)	Satellite Camera Module: 4.1 x 4.1 x 2.2 in (104 x 104 x 56 mm) Control Unit: 10.2 x 7.3 x 4.3 in (260 x 187 x 109 mm)
Weight	Satellite Camera Module: 0.37kg Control Unit: 2.2kg
Housing Color	Satellite Camera Module: Black Control Unit: Beige
Operating Temperature	Satellite Camera Module: -4°F to 104°F (-20°C to 40°C) Control Unit: 25°F to 104°F (-20°C to 40°C)
Humidity	0 to 90% Non-Condensing

Plenum Rated – Control Unit	Yes
Outdoor Rating	Satellite Camera Module: IP40 Control Unit: IP40
Regulatory	
Safety	EN62368-1
Emissions	FCC CFR 47 Part 15 Class A; EN55032 Class A; ICES-003
Immunity	EN50130-4; EN 61000-3-2; EN 61000-3-3
Fire Plenum Rating	UL-2043; CAN/ULC S142
Environment	RoHS; WEEE

Satellite Camera



Control Unit



Ordering Information

Model	Description
II-AN00INT01	Illustra Insight Camera and Control unit in metal housing. Require Power via PoE IEEE 802.3bt standard (Max draw 40w). Illustra Insight camera 10m Cat6 cable included.
AI-FA-01	Tyco AI Frictionless License
SSA-AI-FA-01	Tyco AI Software Support Agreement (from year two) for continuity in support, firmware and software upgrades.

The Tyco Frictionless Access Solution requires the purchase of both Illustra Insight (II-AN00INT01) and a Tyco AI Frictionless License (AI-FA-01). Each entrance will require one Camera and one Tyco AI Frictionless license. Please note that the server to run Tyco AI is not included or provided by Tyco. Please contact your account manager or visit <https://illustracameras.com/insight/> for details of the minimum server specification required.

About Johnson Controls

Johnson Controls is a global diversified technology and multi-industrial leader serving a wide range of customers in more than 150 countries. Our 120,000 employees create intelligent buildings, efficient energy solutions, integrated infrastructure and next generation transportation systems that work seamlessly together to deliver on the promise of smart cities and communities. Our commitment to sustainability dates back to our roots in 1885, with the invention of the first electric room thermostat.

For additional information, please visit www.illustracameras.com or follow us on Facebook, Twitter, and LinkedIn.