

2MP V/F IR Indoor Dome Smart Network Camera



Features That Make a Difference

- 2MP resolution (1920 × 1080), H.265
- True day / night
- Up to 30m IR distance
- True WDR, up to 120dB
- 3D DNR, HLC & BLC
- Defog
- Triple streams
- Smart codec by ROI
- 2-way audio & alarm in/out
- Onboard storage
- PoE power supply
- Advanced intelligent video analytics
- Tamper proof mechanism
- Face detection / capture
- Smart non-false alarm

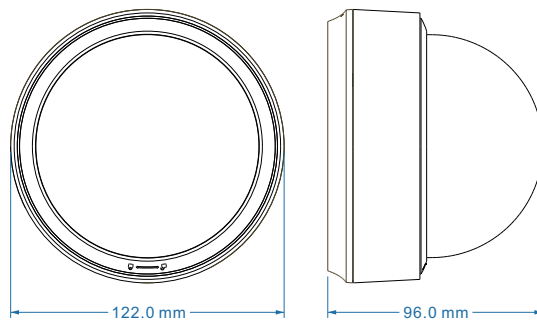
Specification

Camera	
Imager	1 / 2.8" CMOS
Effective Pixels	1920 × 1080
Min. Illumination	0.005 Lux, F1.2, AGC ON; 0.008 Lux, F1.6, AGC ON; 0 lux with IR
Shutter Speed	PAL: 1 / 25 s ~ 1 / 100000 s NTSC: 1 / 30 s ~ 1 / 100000 s
S/N Ratio	≥52 dB
Angle Adjustment	Pan : 0°~360°, Tilt : 0°~77°, Rotation : 0°~360°
Lens	
Focal Length	2.8 ~ 12 mm @F1.4
Iris Type	Fixed Iris
Field of View	Horizontal: 103°~ 32°, Vertical: 70.5°~18.3°
Focus Control	Manual focus
Lens Mount	Φ 14
Video	
Video Compression	H.265 / H.264
H.264 Compression Standard	Base Line / Main Profile / High Profile
H.265 Compression Standard	Main Profile @Leve4.1 High Tier
Resolution	1080P (1920 x 1080), 720P (1280 x 720), D1, CIF, 480 x 240
Max.Frame Rate	30fps @ all resolution
Video Bit Rate	64 Kbps ~ 6 Mbps
Multiple Streaming	Triple streams
Main Stream	60Hz : 1080P(1 ~ 30fps) / 720P(1 ~ 30fps) 50Hz : 1080P(1 ~ 25fps) / 720P(1 ~ 25fps)
Sub Stream	60Hz:720P/D1/CIF /480×240 (1~30fps) 50Hz:720P/D1/CIF/480×240 (1~25fps)
Third Stream	60Hz:D1/CIF /480×240 (1~30fps) 50Hz:D1/CIF/480×240 (1~25fps)
Smart Codec	ROI, 3 zones
Bitrate Control	VBR / CBR
Quality Control	Five levels under VBR; Freely adjustable under CBR
Image Setting	ROI, Saturation, Brightness, Chroma, Contrast, Wide Dynamic, Sharpen, NR, etc.

Audio	
Audio Communication	Bi-directional audio (2-way)
Audio Compression Format	G711A/U
Audio Bit Rate	128Kbps
Operational	
Day & Night	IR cut filter with auto switch
Backlight Compensation	Yes
Wide Dynamic Range	True WDR, 120dB
IR Distance	Up to 30M
Digital Noise Reduction	2D/3D DNR
Digital Zoom	Yes
Defog	Yes
Corridor Pattern	Yes
Flip / Mirror	Yes
Video Privacy	4 zones video mask
Intelligent Video Analytics	Perimeter Protection: Line crossing, region Entering/ Exiting/Intrusion (human/motor vehicle/ non-motor vehicle classification) Target Counting: Line crossing human/motor vehicle/ non-motor vehicle counting Exception Detection: Scene change, video blur and video color cast detection Face Detection: Face detection and face capture
Alarm Triggers	Alarm input, Motion detection, Intelligent video analytics, Network disconnect
Edge Storage	Built-in micro SD card slot, up to 128GB
Backfilling	Yes
Network	
Network Protocol	TCP / IP, UDP, DHCP, NTP, RTSP, PPPoE, DDNS, SMTP, FTP, SNMP, UPnP, Unicast, Multicast
Cyber Security	HTTPS / IP Filter / IEEE 802.1X /Blacklist & whitelist/ account security/telnet access control/serial password
Online Connection	Support simultaneous monitoring for up to 10 users; Support multi-stream real time transmission
Remote Monitoring	Webviewer browsing, Holis Pro, Holis Lite, ExacqVision, victor
API	ONVIF (Profile S/G), HAPI3, iAPI3

Interface	
Network	RJ45
Audio	Built-in Mic, Line IN × 1, Line OUT × 1
Video Output	NONE
Onboard Storage	Built-in micro SD/SDHC/SDXC slot
RS485	NONE
Alarm	Alarm 1 in / 1 out
Hardware Reset	Support
Environmental	
Operating Temperature	- 10 °C ~ 40 °C
Operating Humidity	10 % ~ 90 % relative humidity
Ingress Protection	IP54
Vandal Resistance	-
General	
Power Supply	DC12V / PoE
Power Consumption	< 6W
Dimensions (mm)	Φ122 × 96
Material	Plastic
Weight	≈ 0.36kg
Certification	CE, FCC

Dimension



Order Info

Module	Description
ISV-D02V013S-N	H.265 2MP Manual V/F IR Indoor Dome N/W Camera, 2.8-12mm, 30M IR, Micro SD, DC12V/PoE, Smart IVA

About Johnson Controls

Johnson Controls is a global diversified technology and multi-industrial leader serving a wide range of customers in more than 150 countries. Our 120,000 employees create intelligent buildings, efficient energy solutions, integrated infrastructure and next generation transportation systems that work seamlessly together to deliver on the promise of smart cities and communities. Our commitment to sustainability dates back to our roots in 1885, with the invention of the first electric room thermostat.

For additional information, please visit www.illustracameras.com or follow Illustra on LinkedIn, Twitter, and Facebook.