

4MP Starlight Motorized V/F IR Bullet Smart Network Camera



Features That Make a Difference

- 4MP resolution (2560 × 1440), H.265
- 30fps@4MP, 60fps@2MP
- True day / night
- Up to 70m IR distance with Smart IR
- Auto focus by motorized V/F lens
- True WDR, up to 120dB
- 3D DNR, HLC & BLC
- Defog
- Triple streams
- Smart codec by ROI
- 2-way audio & alarm in/out
- Onboard storage
- PoE power supply
- Advanced intelligent video analytics
- Smart non-false alarm
- IP67 / IK10

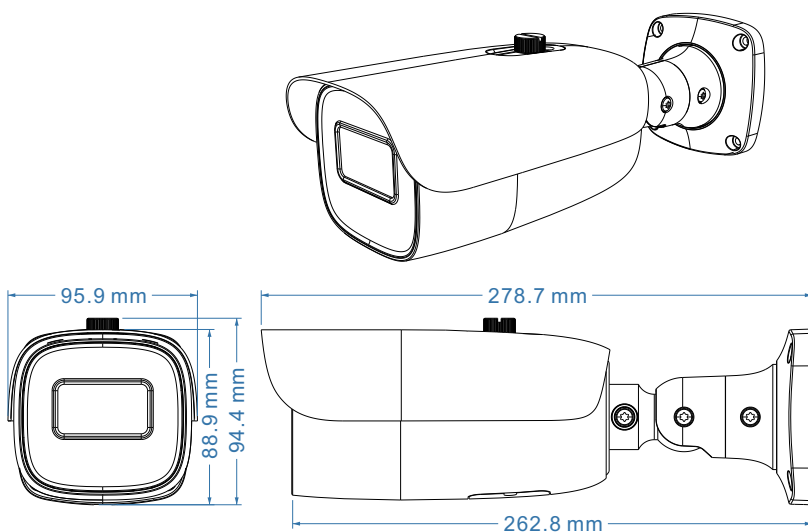
Specification

Camera	
Imager	1 / 1.8" CMOS
Effective Pixels	2560× 1440
Min. Illumination	0.01 Lux,F1.2,AGC ON; 0.04 Lux. F2.26,AGC ON; 0 lux with IR
Shutter Speed	PAL: 1 / 25 s ~ 1 / 100000 s NTSC: 1 / 30 s ~ 1 / 100000 s
S/N Ratio	≥52 dB
Angle Adjustment	Any angle
Lens	
Focal Length	2.8~ 12 mm @F1.4
ABF	-
Iris Type	P-Iris
Field of View	horizontal: 96°~ 45.6°, Vertical: 64°~26.6°
Focus Control	auto-focus
Lens Mount	Φ 14
Video	
Video Compression	H.265 / H.264
H.264 Compression Standard	Base Line / Main Profile / High Profile
H.265 Compression Standard	Main Profile @Level4.1 High Tier
Resolution	4MP (2560×1440),3MP(2304×1296), 1080P (1920×1080), 720P (1280×720),D1, CIF, 480×240
Max.Frame Rate	30fps @ all resolution,60fps @ 1080P
Video Bit Rate	128 Kbps ~ 10 Mbps
Multiple Streaming	Triple streams
Main Stream	60Hz:4MP(1~30fps)/3MP(1~30fps)/1080P(1~60fps)/ 720P(1~30fps) 50Hz:4MP(1~25fps)/3MP(1~25fps)/1080P(1~50fps)/720P(1~25fps)
Sub Stream	60Hz:1080P/720P/D1/CIF /480×240 (1~30fps) 50Hz:1080P/720P/D1/CIF/480×240 (1~25fps)
Third Stream	60Hz : D1(1 ~ 30fps) / 480x240(1 ~ 30fps) / CIF(1 ~ 30fps) 50Hz : D1(1 ~ 25fps) / 480x240(1 ~ 25fps) / CIF(1 ~ 25fps)
Smart Codec	ROI, 3 zones
Bitrate Control	VBR / CBR
Quality Control	Five levels under VBR; Freely adjustable under CBR
Image Setting	ROI, Saturation, Brightness, Chroma, Contrast, Wide Dynamic, Sharpen, NR,etc.

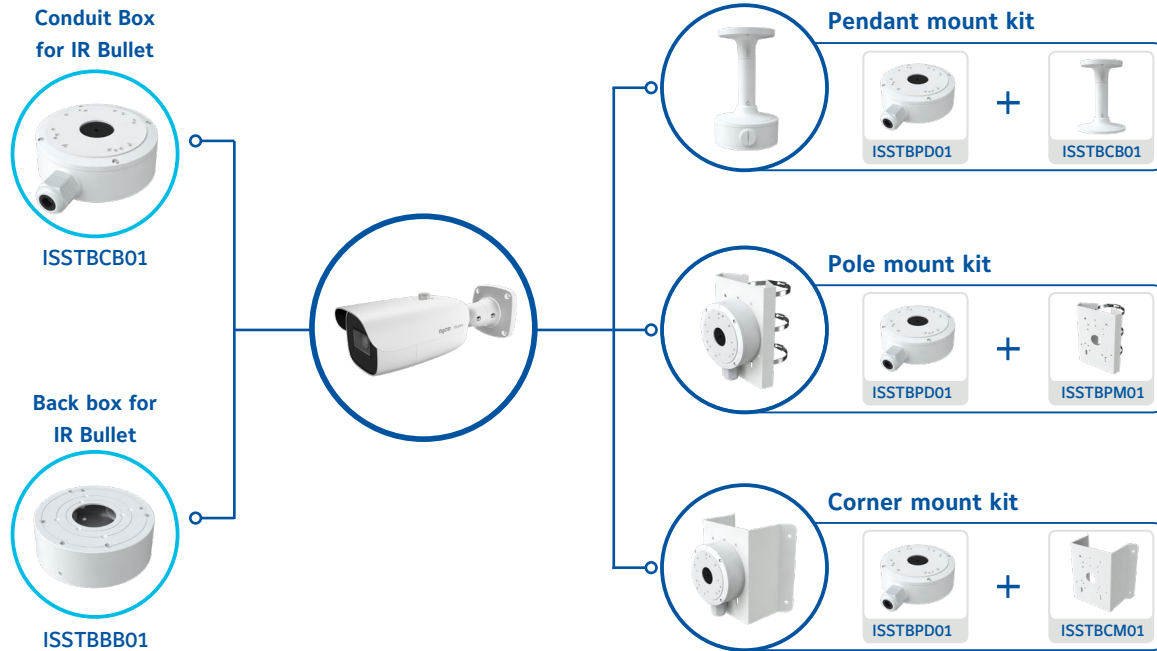
Audio	
Audio Communication	Bi-directional audio (2-way)
Audio Compression Format	G711A/U
Audio Bit Rate	128Kbps
Operational	
Day & Night	IR cut filter with auto switch
Backlight Compensation	Yes
Wide Dynamic Range	True WDR, 120dB
IR Distance	Up to 70M
Digital Noise Reduction	2D/3D DNR
Digital Zoom	Yes
Defog	Yes
Corridor Pattern	Yes
Flip / Mirror	Yes
Video Privacy	4 zones video mask
Intelligent Video Analytics	Perimeter Protection: Line crossing, region Entering/ Exiting/Intrusion (human/motor vehicle/ non-motor vehicle classification) Target Counting: Line crossing human/motor vehicle/ non-motor vehicle counting Exception Detection: Scene change, video blur and video color cast detection Face Detection: Face detection and face capture
Alarm Triggers	Alarm input, Motion detection, Intelligent video analytics, Network disconnect
Edge Storage	Built-in micro SD card slot, up to 128GB
Backfilling	Yes
Network	
Network Protocol	TCP / IP, UDP, DHCP, NTP, RTSP, PPPoE, DDNS, SMTP, FTP, SNMP, UPnP, Unicast, Multicast
Cyber Security	HTTPS / IP Filter / IEEE 802.1X /Blacklist & whitelist/ account security/telnet access control/serial password

Online Connection	Support simultaneous monitoring for up to 10 users; Support multi-stream real time transmission
Remote Monitoring	Webviewer browsing, Holis Pro, Holis Lite, ExacqVision, victor
API	ONVIF (Profile S/G), HAPI3, IAPI3
Interface	
Network	RJ45
Audio	MIC IN × 1, MIC OUT × 1
Video Output	CVBS video output (BNC × 1)
Onboard Storage	Built-in micro SD/SDHC/SDXC slot, up to 128GB
RS485	NONE
Alarm	Alarm 1 in / 1 out
Hardware Reset	Support
Environmental	
Operating Temperature	- 30 °C ~ 60 °C
Operating Humidity	10 % ~ 90 % relative humidity
Ingress Protection	IP67
Vandal Resistance	IK10
General	
Power Supply	AC24V/DC12V / PoE
Power Consumption	< 12W
Dimensions (mm)	277.6× 95.9× 94.4
Material	Metals
Weight	Approx. 1150g
Certification	CE, FCC

Dimension



Accessories



Order Info

Module	Description
ISA-B04M015S-N	H.265 2MP 4MP Motorized V/F IR Bullet N/W Camera, 1/1.8" CMOS, 2.8-12mm, 70M IR, Micro SD, DC12V/AC24V/PoE, IP67/IK10, Smart IVA
ISSTBCB01	Conduit Box for IR Bullet
ISSTBBB01	Backbox for IR Bullet
ISSTBPD01	Pendant mount for IR Bullet (use with ISSTBCB01)
ISSTBPM01	Pole mount for IR Bullet (use with ISSTBCB01)
ISSTBCM01	Corner mount for IR Bullet (use with ISSTBCB01)

About Johnson Controls

Johnson Controls is a global diversified technology and multi-industrial leader serving a wide range of customers in more than 150 countries. Our 120,000 employees create intelligent buildings, efficient energy solutions, integrated infrastructure and next generation transportation systems that work seamlessly together to deliver on the promise of smart cities and communities. Our commitment to sustainability dates back to our roots in 1885, with the invention of the first electric room thermostat.

For additional information, please visit www.illustracameras.com or follow Illustra on LinkedIn, Twitter, and Facebook.