

4MP Motorized V/F IR Bullet Network Camera



Features That Make a Difference

- 4MP resolution (2560 × 1440), H.265
- 30fps@4MP and below
- True day / night
- Up to 50m IR distance
- Digital WDR
- 3D DNR, HLC & BLC
- Triple streams
- Smart codec by ROI
- PoE power supply
- Basic intelligent video analytics
- IP67 / IK10

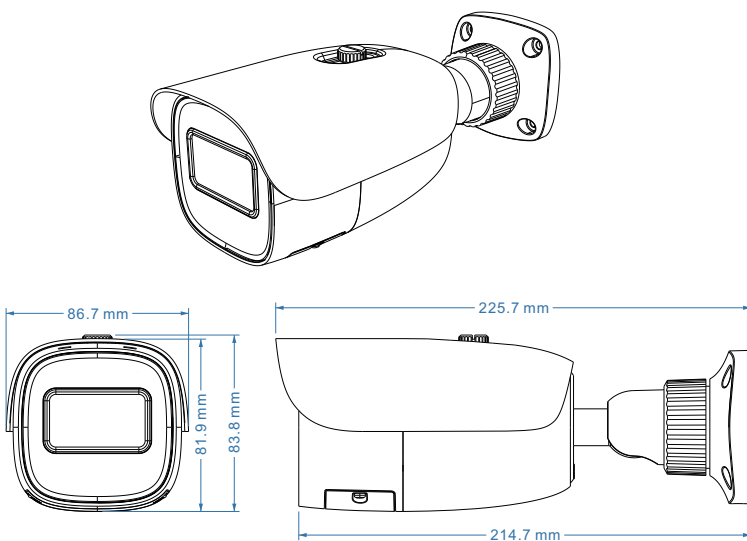
Specification

Camera	
Imager	1 / 2.7" CMOS
Effective Pixels	2560 × 1440
Min. Illumination	0.01 Lux, F1.2, AGC ON; 0.04 Lux, F2.26, AGC ON; 0 lux with IR 0.016 Lux, F1.4, AGC ON; 0.04 Lux, F2.26, AGC ON; 0 lux with IR
Shutter Speed	PAL: 1 / 25 s ~ 1 / 100000 s NTSC: 1 / 30 s ~ 1 / 100000 s
S/N Ratio	≥52 dB
Angle Adjustment	Any angle
Lens	
Focal Length	2.8 ~ 12 mm @F1.4
Iris Type	Fixed Iris
Field of View	Horizontal: 94°~ 35.7°, Vertical: 62.2°~20.5°
Focus Control	auto-focus
Lens Mount	Φ 14
Video	
Video Compression	H.265 / H.264
H.264 Compression Standard	Base Line / Main Profile / High Profile
H.265 Compression Standard	Main Profile @Leve4.1 High Tier
Resolution	5MP(2592×1944), 4MP (2560×1440), 3MP(2304×1296), 1080P (1920×1080), 720P (1280×720), D1, CIF, 480×240
Max. Frame Rate	30fps @ all resolution
Video Bit Rate	64 Kbps ~ 5 Mbps
Multiple Streaming	Triple streams
Main Stream	60Hz : 4MP/1080P/720P(1~30fps) 50Hz : 4MP/1080P/720P(1~25fps)
Sub Stream	60Hz : 720P(1~15fps)/D1 /CIF (1~30fps) 50Hz: 720P(1~12fps)/D1(1~25fps)/CIF (1~25fps)
Third Stream	"60Hz:D1/CIF /480×240 (1~30fps) 50Hz:D1/CIF/480×240 (1~25fps)"
Smart Codec	ROI, 3 zones
Bitrate Control	VBR / CBR
Quality Control	Five levels under VBR; Freely adjustable under CBR
Image Setting	ROI, Saturation, Brightness, Chroma, Contrast, Wide Dynamic, Sharpen, NR, etc.

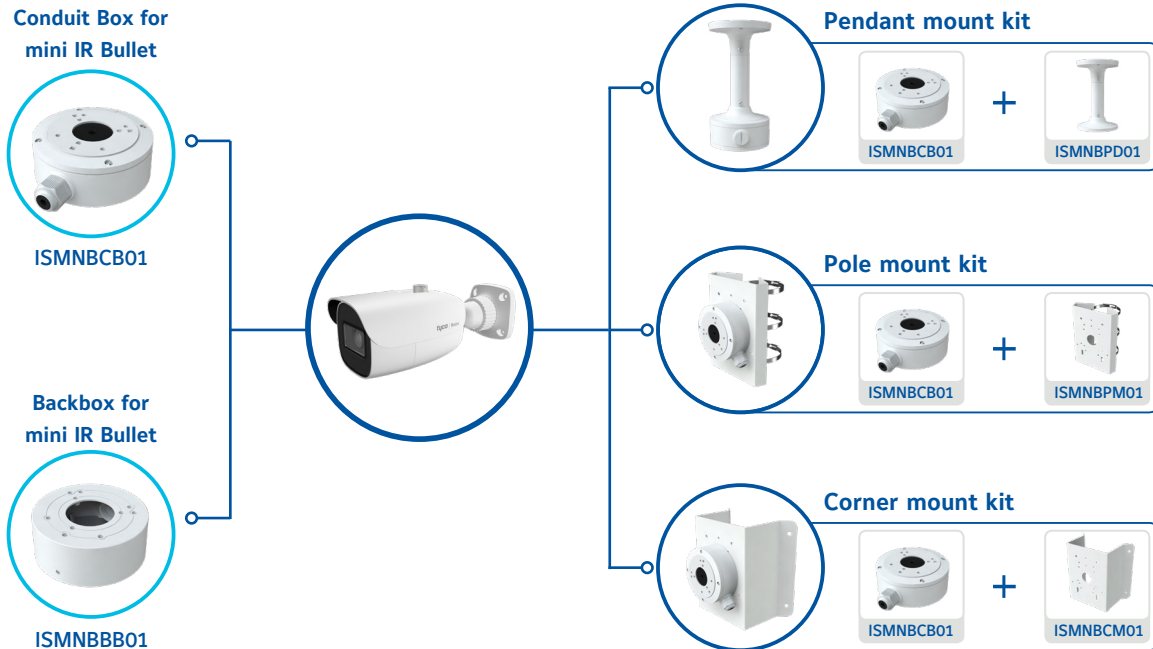
Audio	
Audio Communication	None
Audio Compression Format	None
Audio Bit Rate	None
Operational	
Day & Night	IR cut filter with auto switch
Backlight Compensation	Yes
Wide Dynamic Range	Digital WDR
IR Distance	Up to 50M
Digital Noise Reduction	2D/3D DNR
Digital Zoom	Yes
Defog	Yes
Flip / Mirror	Yes
Video Privacy	4 zones video mask
Intelligent Video Analytics	Object removal (object left/missing detection), scene change and video blur detection, intrusion and line crossing
Alarm Triggers	Motion detection, Intelligent video analytics, Network disconnect
Edge Storage	Built-in micro SD card slot, up to 128GB
Backfilling	Yes
Network	
Network Protocol	TCP / IP, UDP, DHCP, NTP, RTSP, PPPoE, DDNS, SMTP, FTP, UPnP, Unicast, Multicast
Cyber Security	HTTPS / IP Filter / IEEE 802.1X /Blacklist & whitelist/ account security/telnet access control/serial password
Online Connection	Support simultaneous monitoring for up to 4 users; Support multi-stream real time transmission
Remote Monitoring	Webviewer browsing, Holis Pro, Holis Lite, ExacqVision, victor
API	ONVIF (Profile S/G), HAPI3, iAPI3

Interface	
Network	RJ45
Audio	None
Video Output	None
Onboard Storage	Built-in micro SD/SDHC/SDXC slot
RS485	None
Alarm	None
Hardware Reset	Support
Environmental	
Operating Temperature	- 30 °C ~ 60 °C
Operating Humidity	10 % ~ 90 % relative humidity
Ingress Protection	IP67
Vandal Resistance	IK10
General	
Power Supply	DC12V / PoE
Power Consumption	< 10W
Dimensions (mm)	225.7x86.7x83.8
Material	Metals
Weight	≈ 0.7kg
Certification	CE, FCC

Dimension



Accessories



Order Info

Module	Description
ISE-B04M013S-N	H.265 4MP Motorized V/F IR Bullet N/W Camera, 2.8-12mm, 50M IR, Micro SD, DC12V/PoE, IP67/IK10, IVA
ISMNBCB01	Conduit Box for mini IR Bullet
ISMNBBO1	Backbox for mini IR Bullet
ISMNBPD01	Pendant mount for mini IR Bullet (use with ISMNBCB01)
ISMNBPM01	Pole mount for mini IR Bullet (use with ISMNBCB01)
ISMNBCM01	Corner mount for mini IR Bullet (use with ISMNBCB01)

About Johnson Controls

Johnson Controls is a global diversified technology and multi-industrial leader serving a wide range of customers in more than 150 countries. Our 120,000 employees create intelligent buildings, efficient energy solutions, integrated infrastructure and next generation transportation systems that work seamlessly together to deliver on the promise of smart cities and communities. Our commitment to sustainability dates back to our roots in 1885, with the invention of the first electric room thermostat.

For additional information, please visit www.illustracameras.com or follow Illustra on LinkedIn, Twitter, and Facebook.