

Pro Gen4

20MP & 32MP Motorized Multisensor



Key Features

- 5MP x4 (20MP effective pixels)
- 8MP x4 (32MP effective pixels)
- 30 FPS at all resolutions
- Quad EdgeAI – Full AI per sensor
- Motorized Zoom, Focus & Remote Positioning
- Integrated 30m (98ft) infrared vision
- Operating Temp: -40°C (-40°F) to +55° C (131°F)
- SmartDefog & SmartWDR
- IP66 & IK10 Protection for maximum resilience
- Encrypted Edge storage capacity up to 8TB, Quad micro SDXC card slots
- Secure Boot and Encrypted Firmware
- Cybersecurity & NDAA Compliant

Omni-Directional, High-Resolution Coverage

The Illustra Pro Multisensor cameras are designed to provide complete coverage with a lower total cost of ownership (TCO) when compared to the use of multiple cameras. The Multisensor cameras are equipped with deep learning AI and the ability to accurately classify many human and vehicle targets within a scene. An expansive list of subclassification and object attribute capabilities for each sensor provides real time alerts and forensic search capabilities that are unparalleled in the industry.

Cost-Effective, High-Quality Images

Available in 20MP and 32MP models, the Illustra Pro Multisensor cameras push the boundaries of image quality at low bandwidth in low light and challenging conditions with superior WDR, defog and built-in IR illuminators {up to 30m (98ft) functionality}. Four motorized, individually repositionable varifocal lenses utilizing one network connection and one camera license means a drastically lower cost of deployment. All fourth generation Illustra Pro cameras can store up to 2TB of encrypted data per SD card slot.

Edge Intelligence Driven by Deep Learning AI

Illustra Pro cameras are powered by the rise of intelligence at the edge. With built-in AI based object classification, events can be narrowed to classes such as person, car, bus, motorcycle and more. Forensic searches become more accurate and situational awareness more automated with fewer missed incidences and false alarms. Choose from a variety of analytic rules to customize the solution that will be most beneficial to your business and begin gathering transformative data instantly.

Safeguard Against Cyber Attacks Across Devices

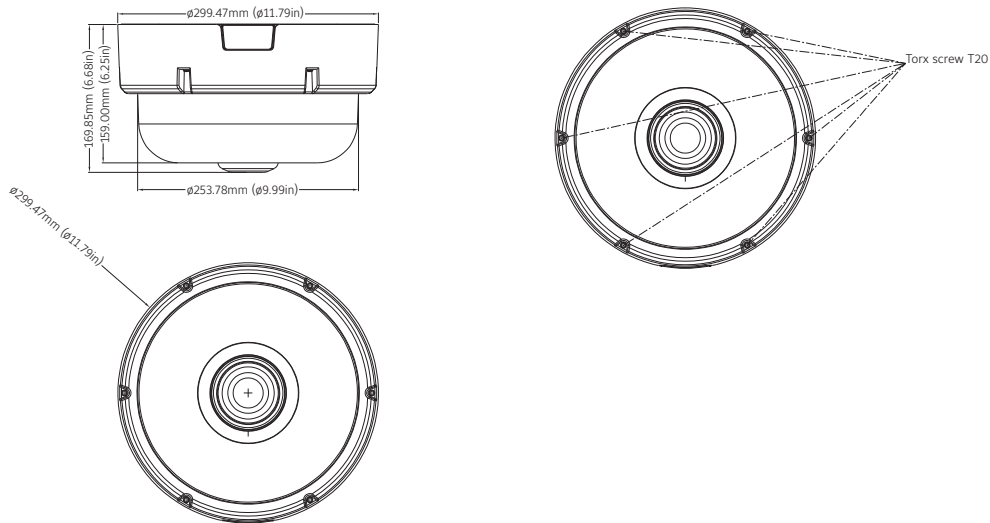
Illustra Pro cameras have been designed to be resilient against cyber threats. Our products are gated, analyzed, tested and required to meet and exceed the rigorous standards of the Johnson Controls Cyber Solutions Product Security Program for every release. This holistic approach is aimed at providing peace of mind to our customers. Our security mindset begins at initial design concept and is supported through deployment, including a rapid incident response to meet the comprehensive and evolving cybersecurity environments.

Specifications

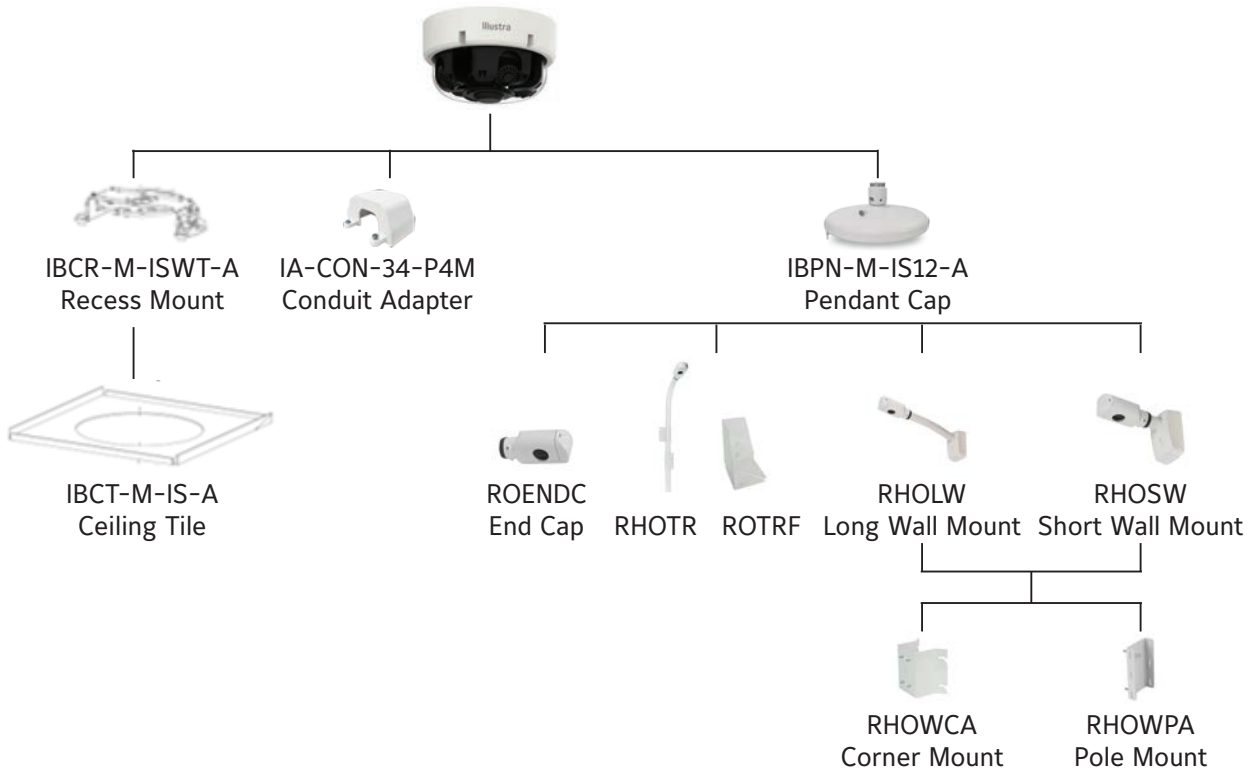
Operational	20MP (4x 5MP)	32MP (4x 8MP)
Video Compression	H.264 / H.265 / MJPEG / IntelliZip	
Max Frame Rate	5MP @ 30fps, 2MP @ 60fps	8MP @ 30fps, 2MP @ 60fps
Resolution & Aspect Ratio	2560x1920 (5MP) 4:3 2560x1444 (4MP) 16:9 1920x1080 (1080p) 16:9 1664x936 (HD+) 16:9 1280x720 (720p) 16:9 1024x576 (PAL+) 16:9 800x600 (SVGA) 4:3 816x464 156:9 640x360 (nHD) 16:9 480x360 4:3 480x272 16:9	3840x2160 (4K) 16:9 3264x1840 (6MP) 16:9 2688x1520 (4MP) 16:9 1920x1080 (1080p) 16:9 1664x936 (HD+) 16:9 1280x720 (720p) 16:9 1024x576 (PAL+) 16:9 960x544 (qHD) 16:9 816x464 16:9 640x360 (nHD) 16:9 480x272 16:9
Imager	Sony IMX335 1/2.8" CMOS image sensor	Sony IMX334 1/1.8" CMOS image sensor
Image Orientation Settings	None, Mirror, Flip, Flip and Mirror, Corridor (rotate 90° right or left)	
Video Streams	Quad Streaming (per sensor)	
Lens Type	Motorized Varifocal and Focus, P-Iris	
Focus Control	One-Touch Auto Focus or Remote Adjustment	
Focal Length	2.7-13.5mm	3.6 -11mm
Sensor Module Control	Motorized Pan, Tilt & Rotate per sensor module	
Field of View Wide (H/V)	103°/74°	95°/53°
Field of View Telephoto (H/V)	33°/25°	49°/28°
Aperture	f/1.4 (W) f/2.8 (T)	f/1.5 (W) f/2.8 (T)
Minimum Illumination		
Color, 1/4s, 30 IRE, AGC	0.11 Lux	0.2 Lux
B/W, 1/4s, 30 IRE, AGC	0.06 Lux	0.11 Lux
W/IR	0.0 Lux	0.0 Lux
IR Distance	30m (98ft)	
Dynamic Range	True WDR 120 dB Technologies	
SmartWDR	Supported	
Day/Night	True Day/Night CF Removal	
Shutter Speed	≥ 1/10,000 to 1/4 s	
ONVIF-Compliant	Profile S (Future release)	
Object Classification	Classes: Person, Bicycle, Bus, Car, Motorbike, Train, Truck, Any Rules: Object Detected, Perimeter, Linger, Dwell, Abandoned / Removed, Enter, Exit, Crowd, Queue	
Motion Detection Zones	3 per Sensor	

Face Detection	Yes
Blur Detection	Yes
Privacy Zones	8 Per Sensor
Alarm Input/Output	2 input, 2 output
Audio	Bi-directional; 1 input, 1 output
Simultaneous Users	10
Supported Languages	Arabic, Chinese (Simplified), Chinese (Traditional), Czech, Danish, English (default), French, German, Hungarian, Italian, Japanese, Korean, Netherlands, Polish, Portuguese, Russian, Spanish, Swedish, Turkish
Network	
Ethernet Interface	10/100/1000 BaseT, RJ-45, Auto-Negotiation
Supported Protocols	TCP/IP, IPv4, IPv6, TCP, UDP, HTTP, FTP, DHCP, WS-Discovery, DNS, DDNS, RTP, TLS, RTSP, ICMP, Unicast, Multicast, NTP, SMTP, WS-Security, SNMP, CIDS, FSTP, UPnP™, SIP
Configuration Management	
Web Browsers	Microsoft Edge, Firefox, Safari, Chrome
Security	Secure Boot, Enhanced Security Mode (forces complex passwords, HTTPS and disables discovery); TLS, 1.2 (256 bit cipher minimum); Security Overview Page (status and configuration); RTSP Authentication; IEEE 802.1X Client; Remote Accessible Audit logs; Role-Based Access Control, Video Encryption for local storage and streaming.
Onboard Storage	
Card Support	Built-in Quad Micro SDXC slot up to 2TB per slot; Card not included
Pre-Alarm Recording	Yes
Recording Format	MP4 File Format
Recording Trigger	Dry Contact Alarms, Motion Detection, Face Detection, AI Object Classification, Periodic Events
TrickleStor	Yes, encrypted storage
Electrical	
Power	Power over Ethernet (PoE) IEEE 802.3bt Type 4 Class 8; 24 VAC, Max Draw: PoE 71.3W, 24 VAC 71.3W
Physical	
Dimensions (RxH)	ø299mm x 169mm (ø11.8in x 6.7in)
Weight	5.7Kg (12.6 lbs)
Housing Color	Signal White - RAL 9003
Operating Temperature	-40°C (-40°F) to +55° C (131°F)
Humidity	Up to 90% Non-Condensing
Vandal Resistant	IK10
Outdoor Rating	IP66
Regulatory	
Safety	EN60950-1; UL60950-1; IEC 60950-1; CSA 22.2 No. 60950
Emissions	FCC Part 15 Class A; EN55032 Class A; AS/NZS CISPR 32 Class A; ICES-003/NMB-003 Class A
Immunity	EN55024; EN50130-3
Environment	RoHS; WEEE

Camera Dimensions



Accessories



Ordering Information

Model Number	Description
IPR20-M12-OIA4	Illustra Pro Gen4 20MP (5MP x4) Multisensor, 2.7-13.5mm, Edge AI, TDN w/IR, TWDR, PTRZ, IP66, IK10, Quad SDXC
IPR32-M13-OIA4	Illustra Pro Gen4 32MP (8MP x4) Multisensor, 3.6-11mm, Edge AI, TDN w/IR, TWDR, PTRZ, IP66, IK10, Quad SDXC

Accessories

Model Number	Description
IBPN-M-IS12-A	Illustra Pro Gen4 Multisensor Pendant Cap
IBCR-M-ISWT-A	Illustra Pro Gen4 Multisensor Recessed Ceiling Mount (future release)
IA-CON-34-P4M	Illustra Pro Gen4 Multisensor Conduit Adapter
IBCT-M-IS-A	Illustra Pro Gen4 Multisensor Ceiling Tile
RHOLW	Wall Mount, 1 1/2" NPT, long (23") (use with IBPN-M-IS12-A), white
RHOSW	Wall Mount, 1 1/2" NPT, short (11") (use with IBPN-M-IS12-A), white
ROENDC	End cap for RHOxW mounts
RHOTR	Over roof mount, 1 1/2" NPT, white
ROTRF	Floor Adapter (use with RHOTR)
RHOWCA	Corner Adapter (use with RHOxW and IBPN-M-IS12-A)
RHOWPA	Pole Adapter (use with RHOxW and IBPN-M-IS12-A)
IA-POE-90-U00	90w PoE Injector
IA-POE-90-U00-EU	90w PoE Injector, EU power plug
IA-KIT-WD-UUA	Illustra WiFi Dongle Kit

About Johnson Controls

At Johnson Controls (NYSE:JCI), we transform the environments where people live, work, learn and play. As the global leader in smart, healthy and sustainable buildings, our mission is to reimagine the performance of buildings to serve people, places and the planet.

Building on a proud history of more than 135 years of innovation, we deliver the blueprint of the future for industries such as healthcare, schools, data centers, airports, stadiums, manufacturing and beyond through OpenBlue, our comprehensive digital offering.

Today, with a global team of 100,000 experts in more than 150 countries, Johnson Controls offers the world's largest portfolio of building technology and software as well as service solutions from some of the most trusted names in the industry.

Visit www.johnsoncontrols.com for more information and follow [@Johnson Controls](https://twitter.com/JohnsonControls) on social platforms.

© 2022 Johnson Controls. All rights reserved. Product offerings and specifications are subject to change without notice.
Actual products may vary from photos. Not all products include all features. Availability varies by region;
contact your sales representative

IL1356-DS-202206-R01-HS-EN