

ISV-X02N003S
ISV-X02N004S

tyco | Illustra

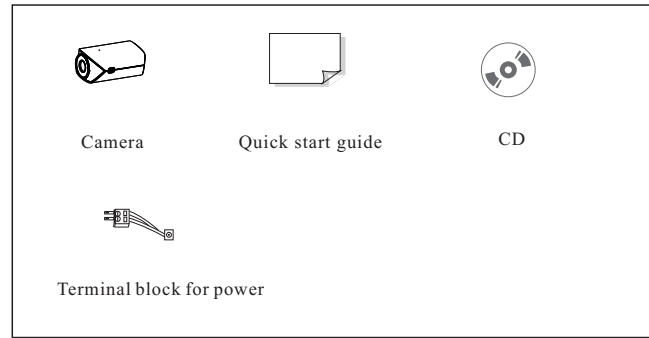
Illustra Standard V Series Box Camera Quick Start Guide

- Please read this instruction carefully before using the product and keep it for further reference.
- All the examples and pictures used here are for reference only.
- The contents of this manual are subject to change without notice.

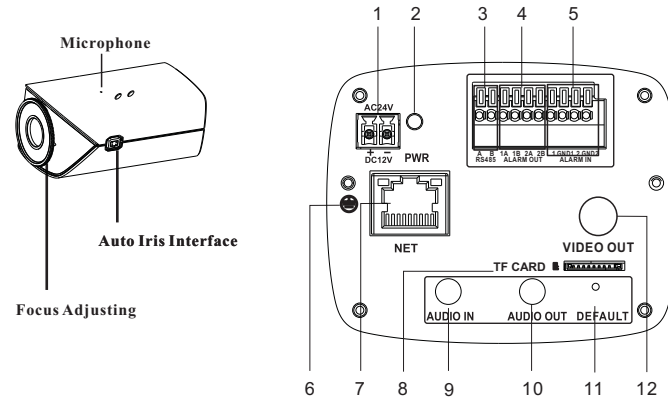
1 Warning and Caution

- If the product does not work properly, please contact your dealer or the nearest service center. Never attempt to disassemble the camera yourself. (We shall not be responsible for any problems caused by unauthorized repair or maintenance.)
- Keep away from liquid while in use.
- In the use of the product, you must be strict compliance with the electrical safety regulations of the nation and region. When the product is mounted on wall, the device shall be firmly fixed.
- Do not use camera beyond specified voltage range.
- Do not drop the camera or subject it to physical shock.
- Avoid touching the camera lens.
- If cleaning is necessary, please use clean cloth to wipe it gently.
- Do not aim the camera at the sun or extra bright place.
- Do not place the camera in extremely hot, cold, dusty or damp locations, and do not expose it to high electromagnetic radiation.
- To avoid heat accumulation, good ventilation is required for operating environment.

2 Package



3 Overview



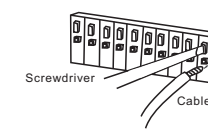
Focus Adjusting: When it still fails to realize focusing after having confirmed the correct installation of lens, the back focus adjustment may be required.

1	Power port (DC12V/AC24V)	7	Ethernet connector (PoE)
2	Power indicator	8	Micro SD card slot
3	RS 485; connectors for PTZ	9	Audio input
4	Alarm output	10	Audio output
5	Alarm input	11	Restore factory default setting
6	Ground	12	Video output

* Default: Restore device factory default setting. When system is running normally, press and hold the DEFAULT button for 10 seconds, the system can restore factory default setting.

*Power indicator: red light means the camera is powered normally.

RS 485/ Alarm input/Output Cable Connection

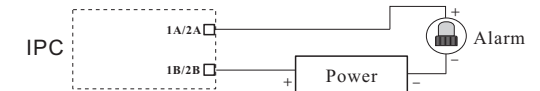


Use the small slotted screwdriver to press the corresponding button. Then insert the cable into the cable groove. After that, release the screwdriver.

Alarm Input:



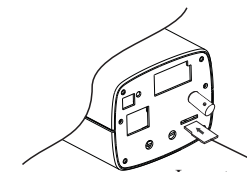
Alarm Output:



4 Installation

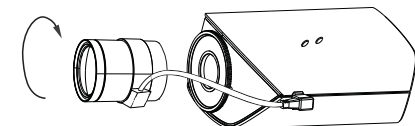
Please make sure that the wall is strong enough to withstand 3 times the weight of the camera and the bracket. Please install the camera under dry environment. Here we take wall mounting for example.

- ① Insert a micro SD card into the card slot as shown below.



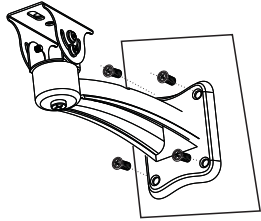
Insert a micro SD card

- ② Remove the protection cover of the lens interface and then install the lens (not supplied) to the camera. Rotate the lens clockwise until it is fixed firmly. Then plug the cable of auto iris to the auto iris interface of the camera.

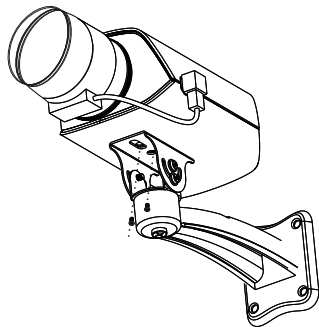


Note: CS-mount lens can be directly installed to the lens interface. C-mount lens needs to install a C/CS adapter ring.
There is no need to plug the power cable of the auto-iris to the auto-iris interface if a manual-iris lens is used.

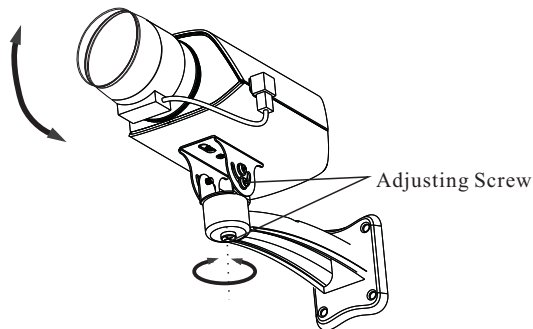
③ Fix the bracket to the wall with screws.



④ Secure the camera onto the bracket with screws as shown below. Then connect the relevant cables.



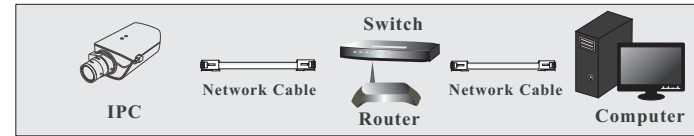
⑤ Loosen the adjusting screws to set the monitoring direction of the camera as shown below. After that, tighten the adjusting screw firmly.



⑥ Zoom and focus adjustment--adjust the zoom level and focus level manually (if applicable) or adjust the back focus.

5 Network Connection

● Access the camera through TycoIPTool



- ① Make sure that the camera and the PC are well connected to the LAN.
- ② Find the TycoIPTool from the CD and then install it in the computer. After that, run the TycoIPTool as shown below.

Device Name	Device Type	Product Model	IP Address	Http Port	Data Port	Subnet	Modify Network Parameter
name	IPC	xxx	192.168.1.168	80	9008	255.255	Mac Address CE :98 :23 :75 :35 :22
name	IPC	xxx	192.168.1.2	80	9008	255.255	IP Address 192.168.1.168
name	IPC	xxx	192.168.1.3	80	9008	255.255	Subnet Mask 255.255.255.0
							Gateway 192.168.1.1

Tip: Enter the administrator password, and then modify the network parameters.

Restore IPC Default Configuration

Total Device: 3 Local IP Address: 192.168.1.4 Subnet Mask: 255.255.255.0 Gateway: 192.168.1.1 DNS : 210.21.196.6

③ Modify the IP address. The default IP address of this camera is 192.168.1.168. Click the information of the camera listed in the above table to show the network information on the right hand. Modify the IP address and gateway of the camera and make sure its network address is in the same local network segment as that of the computer. Please modify the IP address of your device according to the practical situation.

Modify Network Parameter

Mac Address

IP Address

Subnet Mask

Gateway

Tip: Enter the administrator password, and then modify the network parameters.

For example, the IP address of your computer is 192.168.1.4. So the IP address of the camera shall be changed to 192.168.1.X and the gateway shall be changed to 192.168.1.1. After modification, please enter the password of the administrator and click “Modify” button to modify the settings.

⚠ The default password of the administrator is “*admin*”.

④ Double-click the camera listed in the IP-Tool or manually enter the IP address in the address bar of the web browser to connect IP-CAM. Then follow directions to download and install the plugin.

⑤ Enter the username and password in the login interface.

⚠ The default username is *admin*; the default password is *admin*.