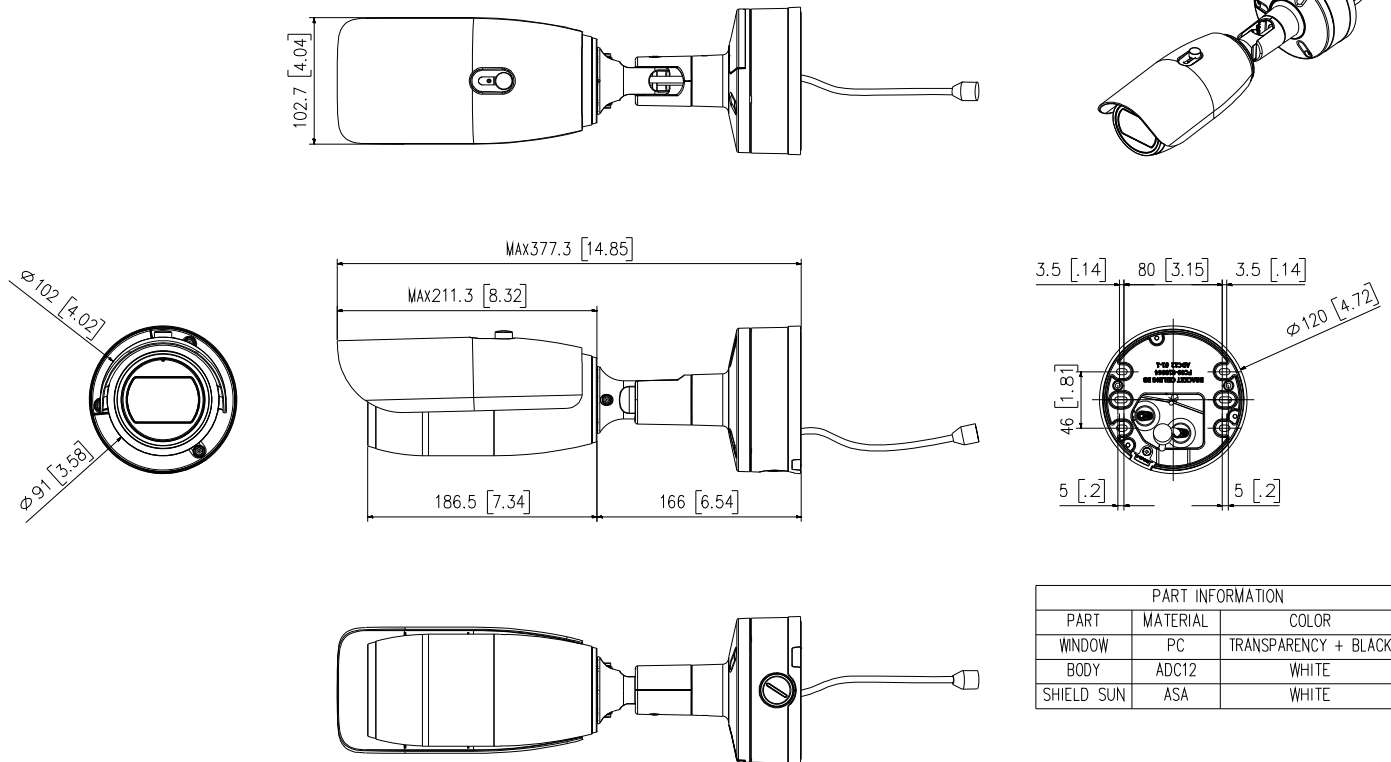


Approved by
Sandeep V on 7/11/23



PART INFORMATION		
PART	MATERIAL	COLOR
WINDOW	PC	TRANSPARENCY + BLACK
BODY	ADC12	WHITE
SHIELD SUN	ASA	WHITE

General Notes

Tolerance over 100mm, +/-2mm

Tolerance under 100mm, +/-1mm

A163820633	A	08/23
No.	Rev.	Date

CAMERA MODELS

- IFS02-B12-OIB4
- IFS05-B12-OIB4
- IFS08-B13-OIB4
- IFS05-B31-OIB4

Project	Sheet
Date	
Scale	