

Quick Start Guide (A163818TU4_C)

Pro Gen4 Multisensor Dome Pendant Cap Installation Guide (P/N IBPN-M-IS12-A)

In the box

- 1 x Adaptor ring
- 8 x M5 0.5mm screws with washer
- 6 x Security screw 1/4-20UNC 12mm
- 1 x 500mm safety wire
- 1 x Screw for safety wire
- 1 x Quick Start Guide
- 1 x T20 Wrench
- 1 x Waterproof connector

Installation tools

- 1 x Drill
- 1 x Screwdriver



Attaching the pendant cap to a wall mount (continued)

3. Insert the four screws into the four holes in the adaptor plate to securely attach the adaptor plate to the mounting plate.
4. Pull all power cables through the large cable hole on the adaptor plate if you are not using the cable side entry hole on the adaptor plate.
5. Unscrew and remove the waterproof cover (1) (Figure 3) and then remove the internal body (2) (Figure 3) from the threaded connector (3) (Figure 3).

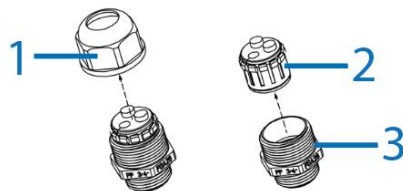


Figure 3

6. Remove the rubber insert (1) (Figure 4) from the plastic ring (2) (Figure 4).

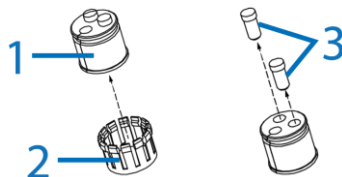


Figure 4

7. Remove the two rubber plugs (3) (Figure 4) from the rubber insert. **WARNING: Do not remove the rubber plugs if you are not using them.**

Attaching the pendant cap to a wall mount (continued)

12. Insert all cables (4) (Figure 6) and plastic ring (5) (Figure 6) into the threaded connector (6) (Figure 6).
13. Securely attach the waterproof connector cover (1) (Figure 7) onto the threaded connector (2) (Figure 7).

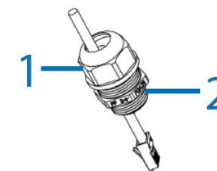


Figure 7

14. Insert all cables into the hole on top of the pendant cap (1) (Figure 8) and securely insert the waterproof connector (2) (Figure 8) to the pendant cap.

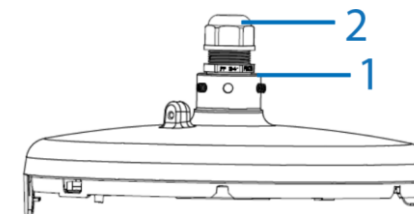


Figure 8

Attaching the pendant cap to a wall mount

1. Insert the adaptor ring (1) (Figure 1) up into one of the following applicable mounts: Wall Mount long (RHOLW), Wall Mount short (RHOSW), and over the roof mount (RHOTB).

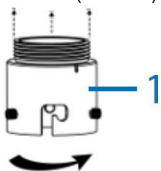


Figure 1

2. Insert the camera adaptor plate (2) (Figure 2) into the pendant cap (1) (Figure 2) and align the four holes on both.

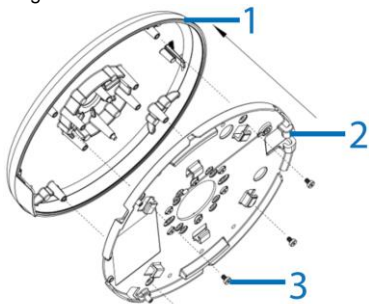


Figure 2

Attaching the pendant cap to a wall mount (continued)

8. Insert all cables through the waterproof cover (1) (Figure 3).
9. Insert the 24V AC power cable through one of the holes (1) (Figure 5) on the rubber insert.
- OR**
10. Insert the RJ45 cable through the hole on the rubber insert that includes a cutting line (2) (Figure 5).
- WARNING: Ensure that both rubber plugs are securely inserted into the two holes on the camera before operation to help prevent water from damaging the camera.**



Figure 5

11. Insert all cables (1) (Figure 6) through the plastic ring (2) (Figure 6) and then insert the rubber insert (3) (Figure 6) into the plastic ring.

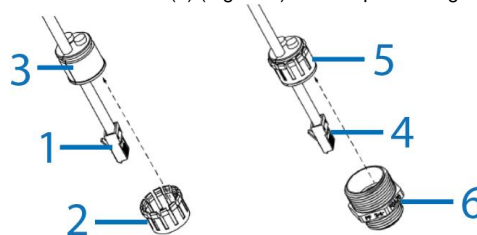


Figure 6

Attaching the pendant cap to a wall mount (continued)

15. Insert the pendant cap (4) (Figure 9) up into the adaptor ring (1) (Figure 9) and rotate the pendant cap clockwise so that it inserts correctly into the 'slot' (2) (Figure 9) on the adaptor ring.

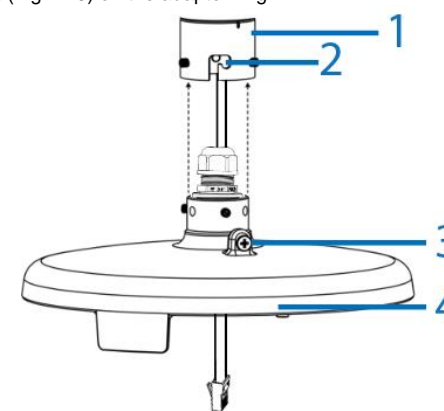


Figure 9

16. Use a screwdriver to securely attach the three screws on the adaptor ring. **Note:** The pendant cap is now securely attached to the adaptor ring on the wall mount.
17. Loop one end of the pendant cap safety lanyard (2) (Figure 10) around the wall mount arm (1) (Figure 10) and then through the hole on the other end of the pendant cap safety lanyard (3) (Figure 10).

Attaching the pendant cap to a wall mount (continued)

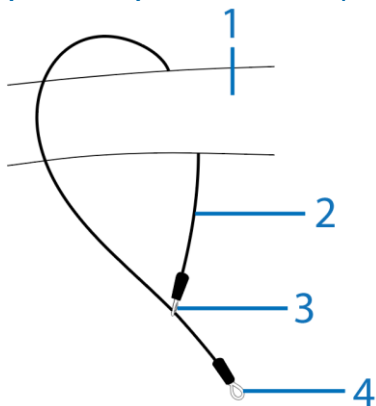


Figure 10

18. Remove the screw (3) (Figure 9) on the pendant cap and insert it through the hole (4) (Figure 10) on the safety lanyard.
19. Securely attach the pendant cap screw back into the hole on the pendant cap.
20. Hold the camera lens module (2) (Figure 11) up to the adaptor plate and insert the 'loop' on the camera's safety lanyard (1) (Figure 11) that is attached to the mounting plate to the screw (1) (Figure 12) on the camera lens module.

Attaching the pendant cap to a wall mount (continued)

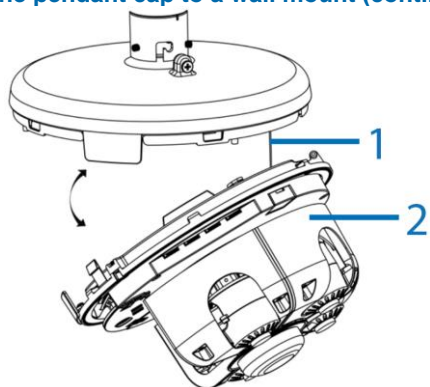


Figure 11

21. Insert the 'hinge pins' (2) (Figure 12) on the camera module lens into the 'hinge knuckle' on the adaptor plate.

Attaching the pendant cap to a wall mount (continued)

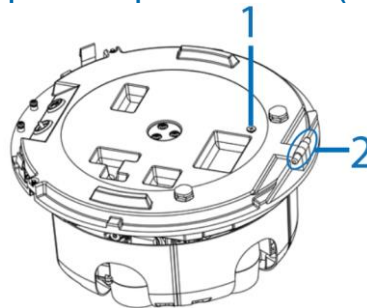


Figure 12

- OPTIONAL:** If you are using the cable side entry on the adaptor plate, remove the cable side entry cover screw and route all cables through the cable side entry.
22. Insert the RJ-45 cable (3) (Figure 13) into the insert tool (2) (Figure 13) remove the rubber grommet from the camera lens module.
 23. Pierce the rubber grommet (1) (Figure 13) by passing the insert tool and cable through the center of the rubber grommet.

Attaching the pendant cap to a wall mount (continued)

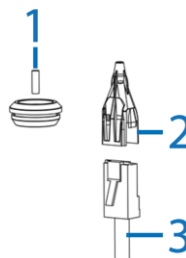


Figure 13

24. Pass the insert tool and cable through the rubber grommet hole on the camera lens module.
25. Remove the insert tool, connect the RJ 45 cable to the camera lens module ethernet connector, and insert the rubber grommet into the camera lens module hole to prevent water / dust ingress.
26. Snap the camera lens module into the mounting plate and secure the two screws on the camera lens module into the two holes on the mounting plate using the T20 Torx wrench.
27. Based on your needs, connect the power cable to the power port through one of the following options.
 - **PoE BT Class8 (71.3W / 0.96A):** Connect an Ethernet cable terminated with a RJ-45 connector to the PoE RJ-45 port for both power supply and network connectivity purposes simultaneously.
 - **24V AC (81W / 3.54A):** Connect a power cable that supplies AC24V power source to the power terminal.

Attaching the pendant cap to a wall mount (continued)

OPTIONAL: Insert audio in / out cables and alarm in / out cables to the corresponding terminals on the camera if required and plug in a micro-USB device to the USB port.

Note: The polarities should be matching when using 48V DC power source. It is recommended to connect external microphones to ground (GND) on the digital I/O connector.

28. Hold the camera top cover with bubble up to the camera lens module and align the six holes on the camera top cover with the six holes on the camera lens module.
29. Insert the six screws and securely attached the camera top cover to the camera lens module.