



Recessed Mount Quick Start Guide

Illustra Flex 3MP Mini-Dome Camera

8200-1455-01 A0

Product overview

The Recessed Mount, **IFDRECMNT**, is compatible with the Illustra Flex 3MP Mini-Dome cameras **IFS03D1ICWTT** and **IFS03D1OCWIT**. Table 1 provides the product code and description of the cameras.

You can use the Recessed Mount to mount the camera on a ceiling bracket.

Product code	Description
IFS03D1ICWTT	Illustra Flex 3MP Mini-dome, 2.8-12mm, indoor, vandal, clear, white, TDN, TWDR
IFS03D1OCWIT	Illustra Flex 3MP Mini-dome, 2.8-12mm, outdoor, vandal, clear, white, TDN w/IR, TWDR

Table 1. Product information of recessed mount camera compatibility

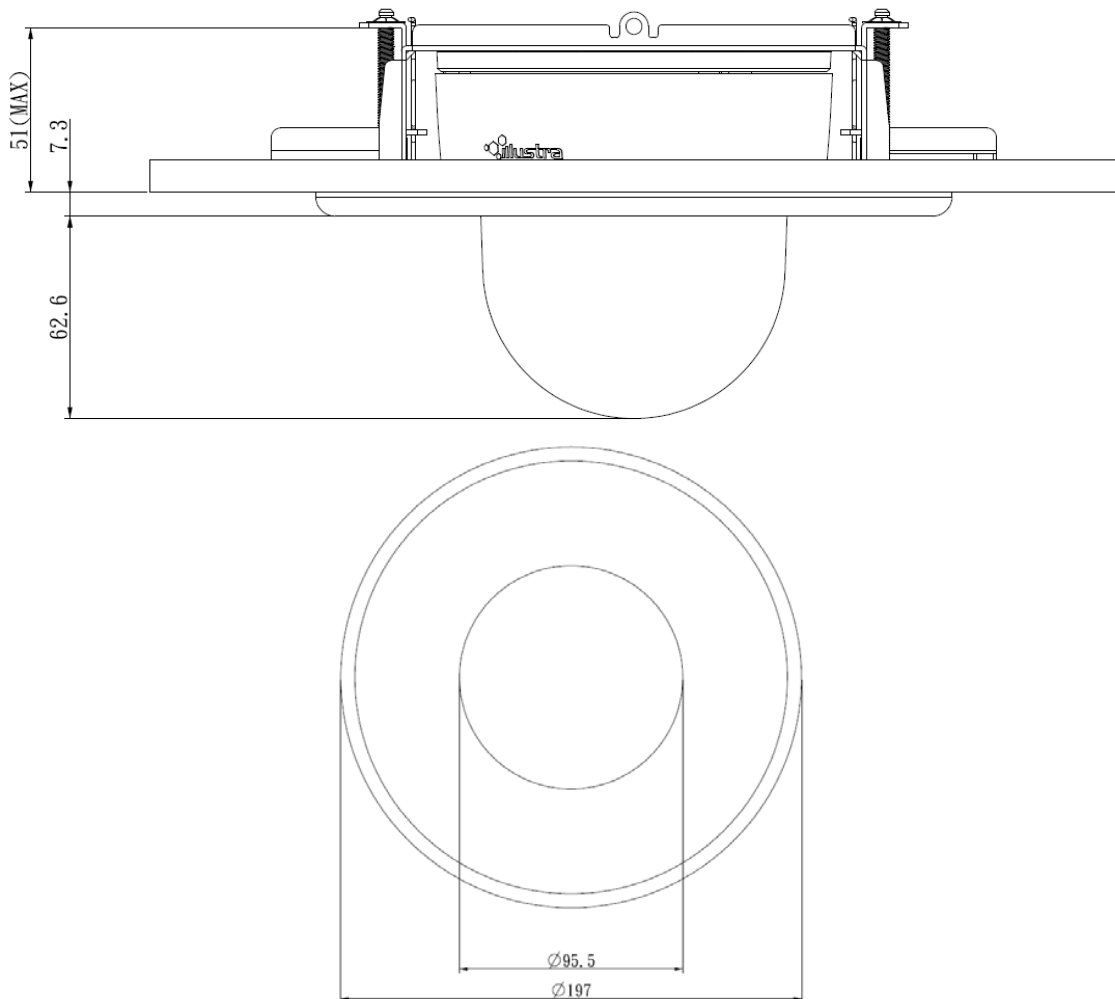


Figure 1. Physical dimensions (mm)

Installation and mounting

Check everything in the box matches the order form and packing slip. Contact your dealer if any item is missing. The box contains the following items:

- One recessed mount **IFDRECMNT**
- One Quick Start Guide 8200-1455-01 A0
- One Mounting template 8200-1455-02 A0

NOTE: The adapter plate and screws for installation ship with the Mini-Dome camera. These parts are not included with this kit.

Required tools

The following tools assist with installation:

- A ceiling hole cutter
- A crosshead head screw driver
- Wire cutters

Installation and mounting procedure

To install and mount the camera, complete the following steps:

- 1 Use the included mounting template to cut a hole of the correct size (Ø 173mm or 6.8in) on the ceiling.
- 2 Ensure the camera has been correctly wired and aimed. Fix the adapter plate onto the recessed mount by fastening the 2 screws that come with the adapter plate to the holes marked "D" on the adapter plate.
- 3 Fix the camera body to the adapter plate using 3 screws that comes with the adapter plate. Then re-attach the dome cover to the camera body using the 3 screws of the camera housing with the security Torx bit that comes with the camera.

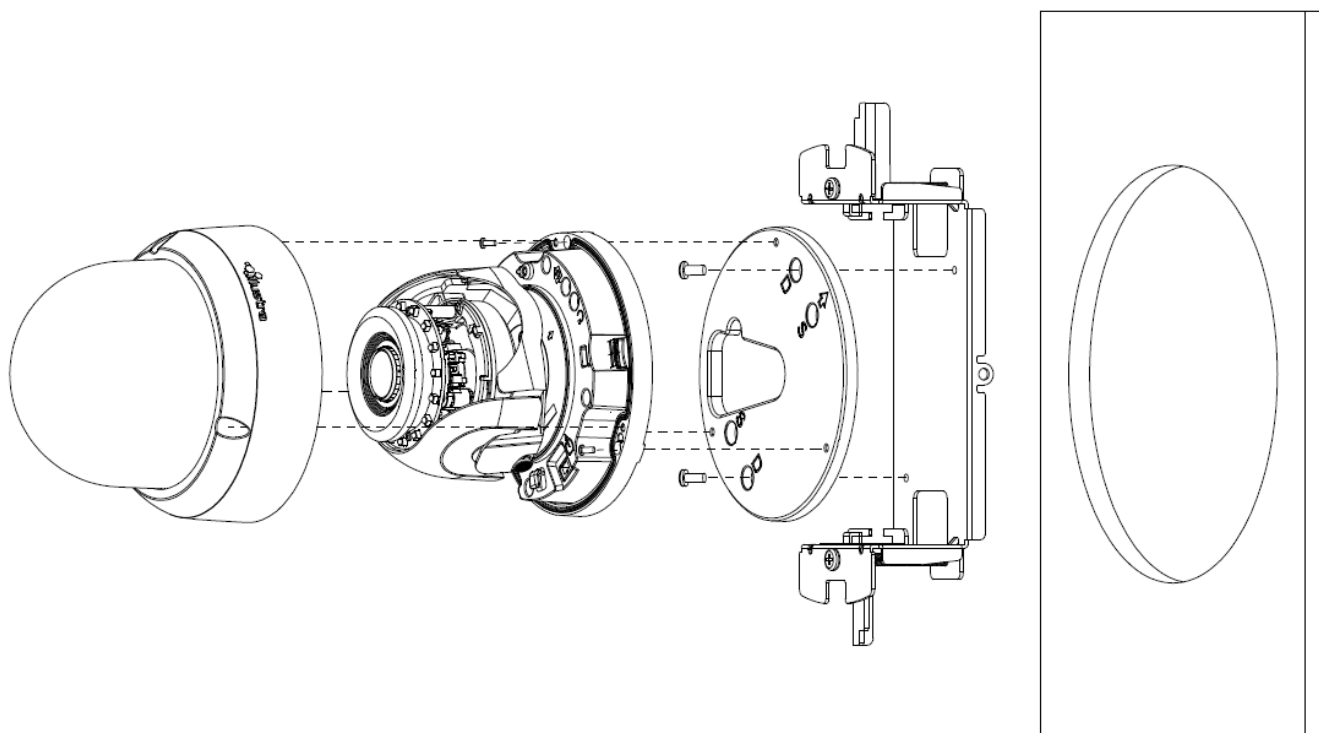


Figure 2. Fixing the camera onto the recessed mount

- 4 Place the recessed mount into the hole that was drilled in step 1.

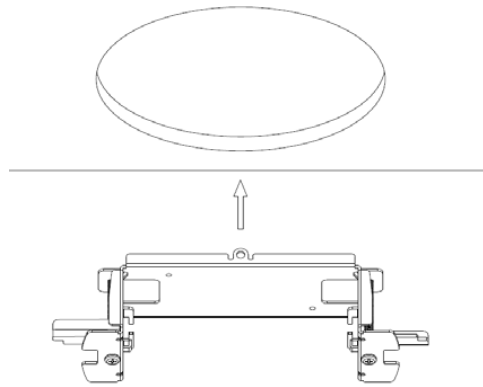


Figure 3. Placing the recessed mount in the ceiling

- 5 Use a screw driver to turn the 2 bracket screws in a clockwise direction. This action extends and tightens the locking arms so that the recessed mount can be fixed within the ceiling easily.

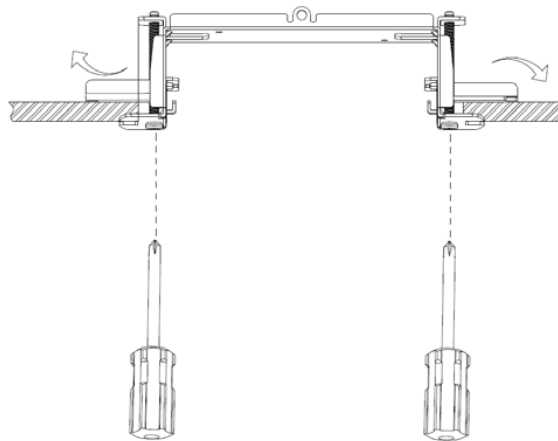


Figure 4. Fixing the recessed mount in the ceiling

- 6 Attach the 2 spring hooks from the ceiling plate to the tenons of the recessed mount and push the ceiling mount upward all the way until you hear a click, which indicates completion of the mounting.

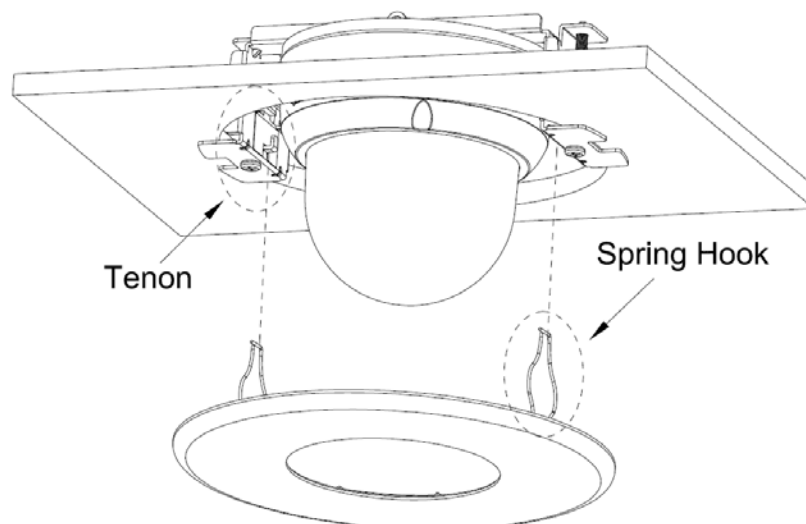


Figure 5. Assembling the ceiling plate

You have completed the installation of the recessed mount with the camera in a ceiling tile. Refer to Figure 6 and Figure 7 for images of what a successful installation looks like.

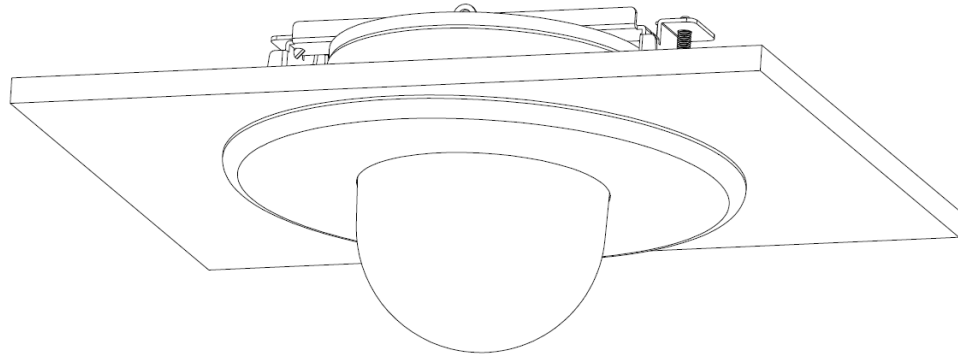


Figure 6. Final mounting

Figure 7 demonstrates an internal view of a completed mounting of the camera using the recessed mount.

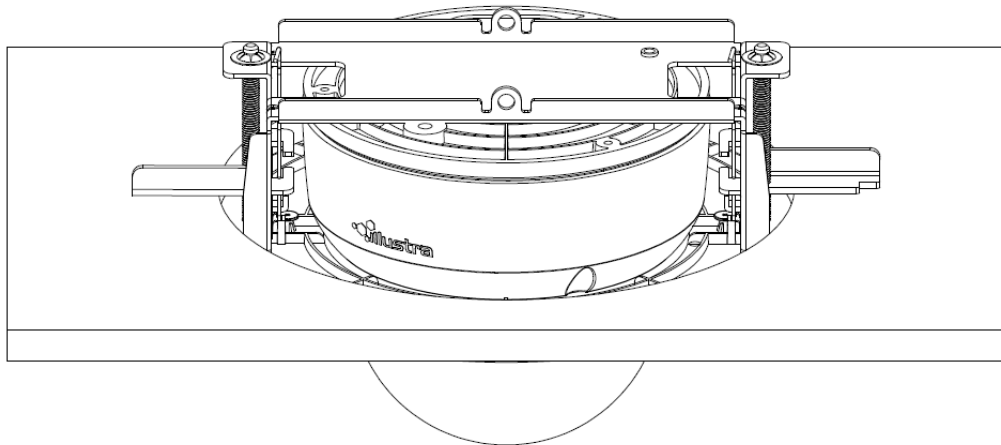


Figure 7. Final mounting – internal view