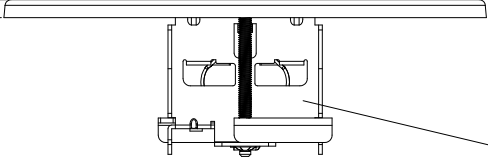
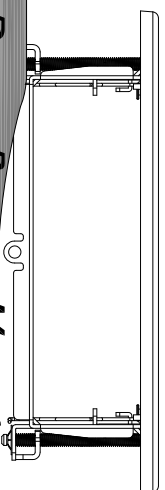
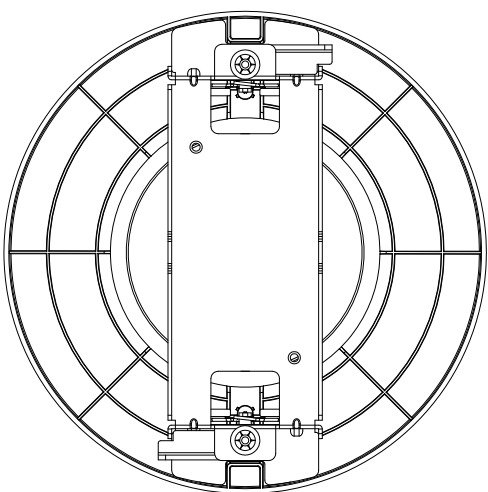


| | | |
|----------|----------|----------|
| Part | Material | Color |
| Top Case | Plastic | RAL 9003 |



| | | |
|---------|----------|---------------|
| Part | Material | Color |
| Bracket | Metal | Natural color |



Illustra Flex Mini-Dome Recess Mount

General Notes

tyco

tyco

IFDRCMNT

| No. | Revision/Issue | Date |
|-----|----------------|------|
| | | |

Project _____

Date _____

Scale _____

Sheet _____