

Quick Start Guide

(8200-1630-08_A0)

Pro Gen 3 - 3MP & 4K Mini-Dome Wall Mount Installation Guide

The IPSMDWALL3 wall mount is used to mount the Pro Gen 3 2MP, 3MP, 5MP and 8MP Dome cameras to a wall.

This guide explains how to assemble and install this mounting structure.

Parts Supplied

Parts Supplied	Quantity
Wall mount bracket	1
Plastic screw anchors	4
Screw M4*8mm	4
Screw TP4*45mm	4
Waterproof screw	3
Waterproof washer	1
Waterproof adaptor	1
Male 3/4 inch NPT to female M20 adaptor bushing	1
Mounting template	1
Quick start guide	1
Cable tie	1

Wall mount installation

- A. Insert the camera electrical cables into the bracket one of the following ways:
- Insert all cables into the back of the wall mount bracket and use the three waterproof screws (1,2,3 - Fig.1) to seal the three holes on the wall mount bracket.

OR

- If the cables are routed through one of the holes on the wall mount bracket, ensure that you use the Male 3/4 inch NPT to female M20 adaptor (Fig.2) or waterproof adaptor (Fig.2) as needed.

Note: Seal the other two holes with the waterproof screws.

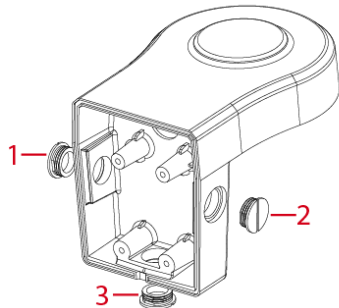


Figure 1

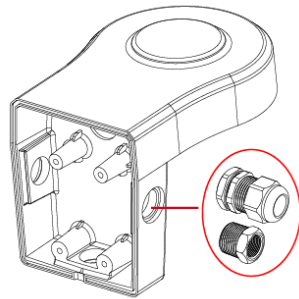


Figure 2

- B. Securely place the waterproof washer (1) (Fig. 3) into the wall mount bracket (2) (Fig 3).

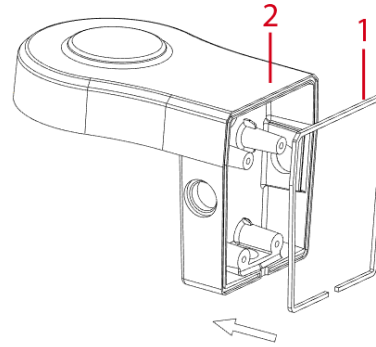


Figure 3

- C. On the wall surface mark up four holes that correspond to the four holes on the wall mount and drill four holes.
- D. Push the four screw anchors (1) (Fig. 4) into the four holes on the wall surface and place the wall mount against the wall so that the four holes on the wall mount align with the four holes on the wall surface.
- E. Screw the wall mount bracket to the wall with the four plastic screw anchors (1) (Fig. 4) and TP4x45 screws (2) (Fig. 4).
Note: Use the cable tie to fix the cables as required.

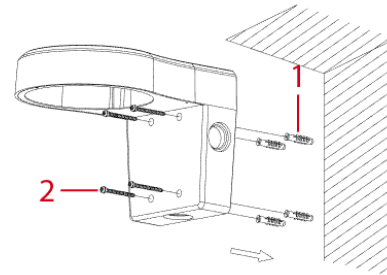


Figure 4

- F. Screw the camera bottom cover (1) (Fig. 5) to the wall mount bracket with the three M4x8mm screws (2) (Fig. 5).

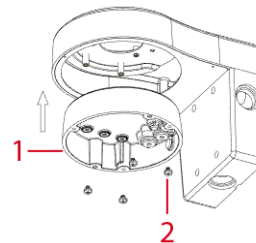


Figure 5

- G. Place the dome camera (1) (Fig. 6) into the camera bottom cover and using a Torx L-Key screw the dome camera to the bottom cover with the three M3x16mm screws (2) (Fig. 6).

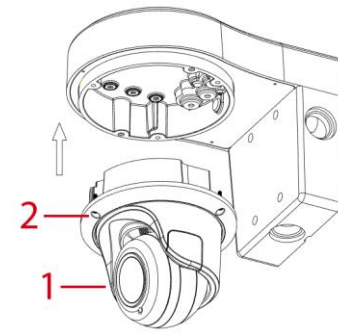


Figure 6

- H. Remove the side cover (1) (Fig. 7), and loosen the screw (2) (Fig. 7) to adjust the lens tilt.

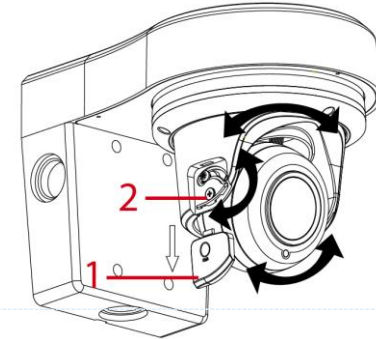


Figure 7

Note: You must loosen the three screws on the camera (2) (Fig. 6) to adjust the lens pan.

- I. Once the lens is positioned, retighten the screw (2) (Fig.7) and the three screws on the camera (2) (Fig. 6).

Figure 8 - Completed Installation

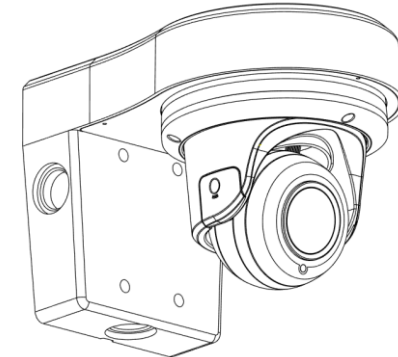


Figure 8