

In the box

- 1 x StarTech N300 Wi-Fi USB 2.0 Dongle
- 1 x StarTech Male USB Micro B to Female USB A adaptor

Description

The Illustra installation, configuration and maintenance toolkit helps users install, configure and maintain our newer Illustra cameras.

Features

These accessories along with the Illustra Tools application allow users to configure 'out of the box' cameras wirelessly at the point of install (Illustra Wi-Fi dongle required).

As part of this process the user can:

- Modify picture settings
- Upgrade firmware
- Configure network settings
- Configure Security settings
- Store camera configuration details



Installing the adaptor cable and dongle into the camera (continued)

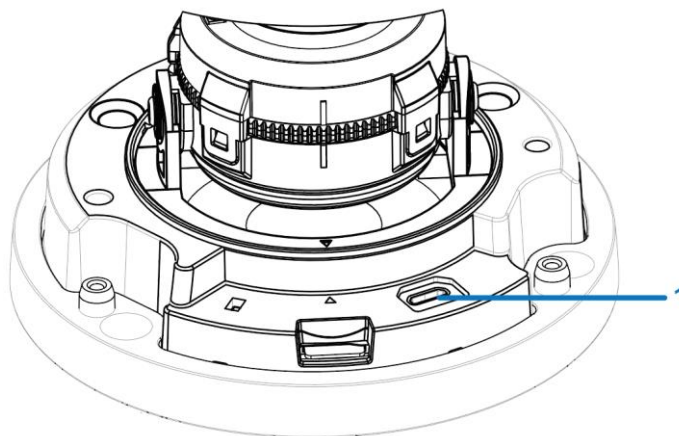


Figure 1

4. Power up the camera.
5. The camera is now discoverable when using the Illustra tools application or QR code located on the box.

Connecting to the camera using the Dongle and QR code

Note: When the QR code is successfully scanned a pop up window is visible asking the user to join the Illustra Wi-Fi network.

5. Select **Join** to connect the application to the camera and view the cameras status page.

Connecting to the camera through manual search and dongle

1. Go to the Play Store (Android) **or** App Store (iOS) and download the **Illustra Tools** application to your device.
2. Follow all steps in the **Installing the adaptor cable and dongle into the camera** before starting this process.
3. On your device select the Wi-Fi icon to view a list of all available Wi-Fi networks.
4. Select the **Illustra** network and enter the password ('Illustra').

Note: The MAC address is also included in the network name.

5. Launch the **Illustra Tools application** on your device and select **Manual Search**.
6. Select the **IP Address** text box and enter the dongle IP address (10.181.182.1).

Installing the adaptor cable and dongle into the camera

Note: The camera requires a factory reset if it was configured previously.

1. Remove the camera cover to allow access to the micro USB.
2. Insert the micro USB 'B' male connector on the adaptor cable into the micro USB slot on the camera.
Note: See an example of a micro USB slot (1) (Figure 1) in the image below.
3. Insert the StarTech N300 Wi-Fi USB 2.0 Dongle into the USB 'A' female connector port on the adaptor plate.

Installing the adaptor cable and dongle into the camera (continued)

Note: The USB dongle is only powered (at first boot out of the box) for a limited time due to security reasons. To enable the dongle reboot the camera. Once configuration is complete the dongle does not automatically power up again, to power up the dongle a factory default is required or this can be managed by the camera GUI.

Connecting to the camera using the Dongle and QR code

Note: The QR code is located on the box.

1. Go to the Play Store (Android) **or** App Store (iOS) and download the **Illustra Tools** application to your device.
2. Follow all steps in the **Installing the adaptor cable and dongle into the camera** before starting this process.
3. Launch the **Illustra Tools application** on your device to view a list of all connection options and select **Search by QR Code**.
4. The camera on your device opens automatically, point the camera at the **QR code** on the camera box.

Connecting to the camera through manual search and dongle

7. Select the **Username** and **Password** text boxes and enter the default username / password (admin / admin).
Note: The application searches for the camera automatically and once located the camera status pages is visible.