

Quick Start Guide

(A163818NN2_D)

Illustra Pro Gen4 12MP Fisheye camera
(P/N IPS12-F27-OIA4)

In the box

- 1 x Illustra Pro Gen4 12MP Fisheye Camera
- 1 x Flat bracket
- 1 x Safety wire
- 4 x Tapping screws and 4 x Plastic anchors
- 1 x Torx wrench
- 1 x 2 pin terminal block
- 1 x 8 pin terminal block
- 1 x Printed Quick Start Guide
- 1 x Mounting template sticker
- 1 x Mounting thread screw
- 1 x Waterproof rubber
- 4 x Standoffs (for use with the wall mount accessory)
- 4 x Phillips screws (for use with the wall mount accessory)
- 1 x Plastic adaptor plate (for use with the pendant cap accessory)
- 2 x M4 screws (for use with the pendant cap accessory)
- 4 x Phillips screws (for use with the pendant cap accessory)

Installation tools

- 1 x Screwdriver
- 1 x Torx wrench
- 1 x Drill
- 1 x Wire cutters



Figure 2: Camera parts (Top-down view)

Note: See Table 1 for descriptions on the parts identified in Figure 3 below.

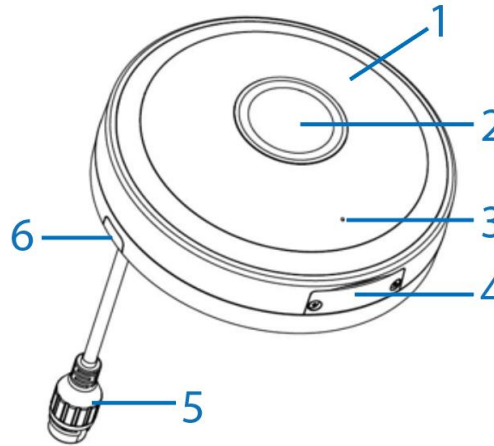


Figure 2

Note: The pre-fitted ethernet cable that comes with the camera can be removed if the installation requires the use of an existing network cable, or if additional cables are required. You must use the supplied rubber grommet with the cable to maintain the IP rating.

Table 1: Camera part descriptions

No	Name	Description
1	Dome Cover	The upper dome-shape cover provides protection
2	Lens	The proprietary fisheye lens provides wide hemispheric view
3	Microphone vent	The hole for built-in microphone to receive audio input
4	SD Card cover	Unscrew the two screws to remove the cover and access the SD card cover.
5	Pre-Fitted RJ45 cable	Insert an Ethernet cable into the PoE port on the RJ45 cable.
6	Cable side entry cap	Cable route when using the cable side entry cap
7	Mounting screws	These three screws attach the camera to the flat bracket
8	Security lock	The security lock ensures that the camera is mounted securely onto the flat bracket.
9	Safety wire screw	Remove this screw and insert it into the 'loop' on the safety wire, then securely attach the screw back into the camera.
10	Side cap screw	Remove this screw when using the cable side entry cap.
11	Waterproof rubber plug	Allows multiple cables to be threaded through the each of the two plugs to ensure waterproof protection. Note: Ensure that both rubber plugs are securely inserted into the rear cap cover before operation.
12	Rear cap cover	Remove the three screws to open the rear cap to access the camera buttons and connections. The rear cap cover must not be left opened for more than 30minutes to prevent compromising the desiccant bag and adding the risk of moisture forming within the camera.

Quick reference

- Default IP: 192.168.1.168 (DHCP enabled)
- Default Username / Password: admin / admin
- Power: IEEE 802.3af Class 3, PoE 48V DC / 11.89W or 24V AC / 11.77W

Figure 1: Pro Gen4 12MP Fisheye rear / top-down views

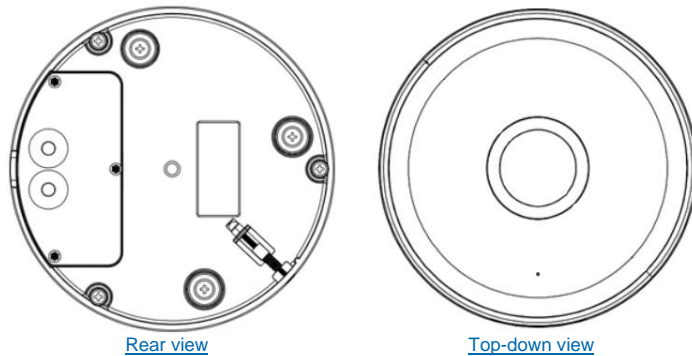


Figure 3: Camera parts (rear view)

Note: See Table 1 for descriptions on the parts identified in Figure 4 below.

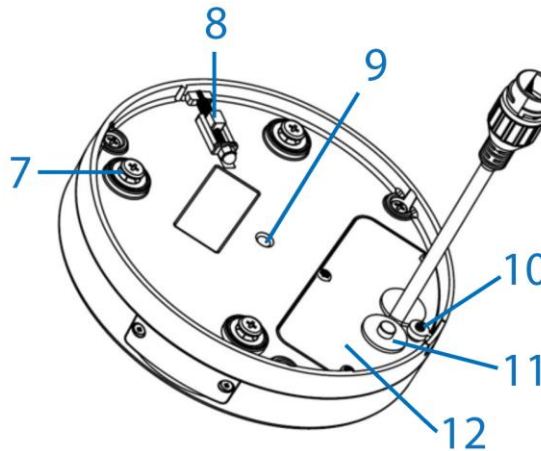


Figure 3

Figure 4: Camera buttons and connections

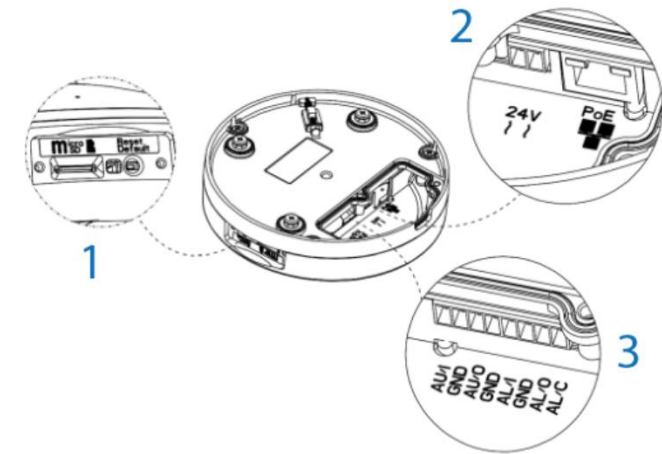


Figure 4

Table 2: Camera buttons and connections descriptions

No	Name	Description
1	Reset & Default button	Press for less than 1 second to reboot the camera; pressing for 6 seconds to restore the camera to the factory default settings.
	Micro SD Card Slot	Insert a micro SDHC / SDXC card (customer supplied) into the slot for recording and file storage.
2	RJ-45 PoE Port	Pre-fitted RJ-45 cable connection slot
	24 V AC Power Ports	To power on the camera, connect a 24 VAC power source to the corresponding 2-pin ports.
3	DI/DO Terminal Ports	Connect to several external devices for audio and alarm input / output functions, which can expand the usability of the camera for a variety of field applications. See Figure 5 for details on port definitions.

Figure 5: I/O port descriptions

Name	Port
AUDIO IN	AU/I
	GND
AUDIO OUT	AU/O
	GND
ALARM IN	AL/I
	GND
ALARM OUT	AL/O
	AL/C

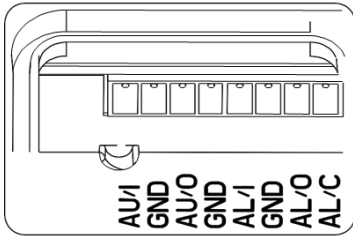


Figure 5

Figure 5: I/O port descriptions (continued)

Note: The power supply terminal / adaptor for IO connectors and field wiring should comply with the Class 2 circuit standard to ensure safety from electrical fires and providing acceptable against electrical shock. The alarm out pin is a 30 VDC output signal with a maximum load of 1 A. The alarm in pin acts as a switch, which is either NO (Normal Open) or NC (Normal Closed).

Mounting the camera to a surface

- Place the mounting template sticker onto the surface.
- On the surface (1) (Figure 6) drill four Ø 6mm holes and insert the four plastic screw anchors (2) (Figure 6) into the four Ø 6mm holes.
- Hold the flat bracket (3) (Figure 6) up to the surface and align the four holes on the flat bracket with the four holes on the surface.

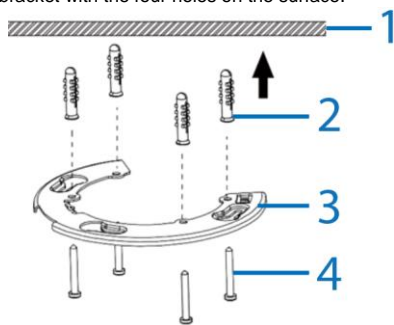


Figure 6

Mounting the camera to a surface (continued)

- Insert the four screws (4) (Figure 6) into the four screw anchors and use the screwdriver to securely attach the flat bracket to the surface.
- Insert the safety wire (2) (Figure 7) onto the 'hook' (1) (Figure 7) on the flat bracket.

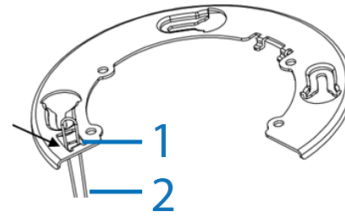


Figure 7

- Use the screwdriver to remove the three screws on the camera rear cap cover (12) (Figure 3).
 - Connect the 24V AC cable to the 2-pin port on the camera.
OR
Connect the RJ-45 jack to a PoE compatible network device that supplies power through the ethernet cable.
 - Connect the audio and alarm cables to the 8-pin terminal. (See Figure 5).
 - You can route all cables through the two waterproof rubber holes on the rear cap (11) (Figure 3) **or** through the cable side entry cap (6) (Figure 2).
 - Remove the rubber plug (1) (Figure 8) and the two waterproof rubber inserts (2) (Figure 8) and then thread all cables through the waterproof rubber inserts. Ensure that the waterproof rubber inserts are inserted correctly back into the holes on the camera.
- OR**
- Route all cables through the cable side entry slot (6) (Figure 3).

Mounting the camera to a surface (continued)

- Hold the rear cap up to the camera and align the three holes on the rear cap with the three holes on the camera.
- Insert the three screws into the three holes and use a screwdriver to securely attach the rear cap cover to the camera.
- OPTIONAL:** Inserting a micro-SD card.
 - Use the screwdriver to remove the two screws on the SD card slot cover (3) (Figure 8) and then insert a micro-SD card.
 - Hold the SD card slot cover back up to the camera and align the two holes on the cover with the two holes on the camera.
 - Insert the two screws into the two holes and use a screwdriver to securely attach the SD card cover to the camera.

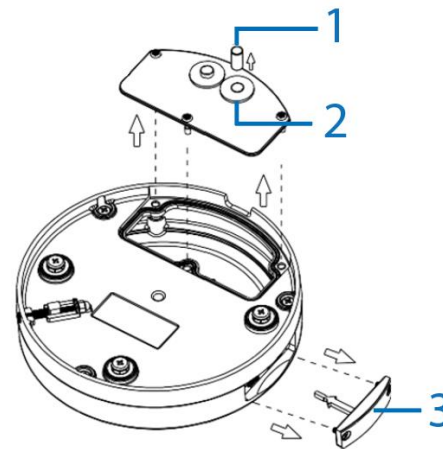


Figure 8

Mounting the camera to a surface (continued)

- Use a screwdriver to remove the safety wire screw (2) (Figure 9) on the camera.
- Insert the safety wire screw into the 'loop' at the end of the safety wire (1) (Figure 9) and then insert the screw back into the hole on the camera.
- Use a screwdriver to securely attach the screw into the camera.

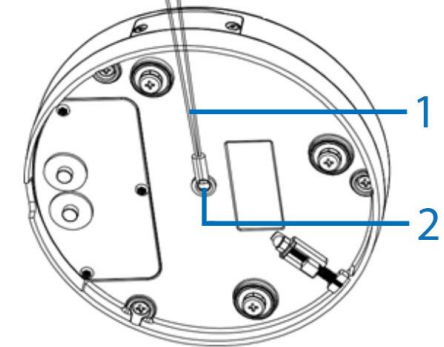


Figure 9

- Hold the camera up to the flat bracket and insert the three screws on the camera (7) (Figure 3) up into the three holes in the flat bracket and then rotate the camera clockwise until it clicks into place on the flat bracket.
Note: The 'RED' dots on the camera and flat bracket must align up correctly.
- Rotate the camera counterclockwise to remove it from the flat bracket.
- Use the torx wrench to rotate the security screw (1) (Figure 10) counterclockwise to securely attach the camera to the flat bracket.

Mounting the camera to a surface (continued)

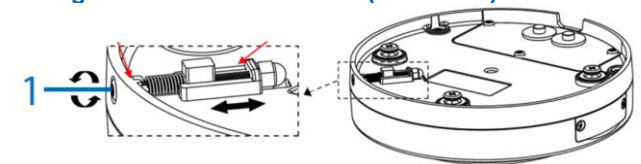


Figure 10

WARNINGS

- This camera operates at: IEEE 802.3af Class 3, PoE 48V DC / 11.89W **or** 24V AC / 11.77W.
- The rear cap cover must not be left opened for more than 30minutes to prevent compromising the desiccant bag and adding the risk of moisture forming within the camera.**
- Ensure that both rubber plugs are securely inserted into the rear cap cover before operation.**
- Installation and service should be performed only by qualified and experienced technicians and comply with all local codes and rules to maintain your warranty.
- We are NOT liable of any damage arising either directly or indirectly from inappropriate installation which is not depicted within this document.
- Wipe the camera with a dry soft cloth. For tough stains, slightly apply diluted neutral detergent and wipe with a dry soft cloth.
- Do not apply benzene or thinner to the camera, which may cause the surface to melt or lens fog.
- Avoid aligning the lens with extremely bright objects (e.g., light fixtures) for long periods of time.
- Although this camera is waterproof and suitable for both indoor and outdoor usages, do not immerse the camera into water.
- Avoid operating or storing the camera in the following locations:
 - Extremely humid, dusty, or hot/cold environments (recommended operating temperature: -40°F to +122°F/-40°C to +50°C).
 - Close to sources of powerful radio or TV transmitters.
 - Close to fluorescent lamps or objects with reflections.
 - Under unstable or flickering light sources.

Attaching the camera to a wall mount

You can attach the camera to a wall using one of the following wall mount accessories IPSMDWALL3 or ADCiM6WALLWK.

1. Insert the four standoffs (3) (Figure 11) that come in the box with the camera up into the four holes (2) (Figure 11) in the wall mount (1) (Figure 11).

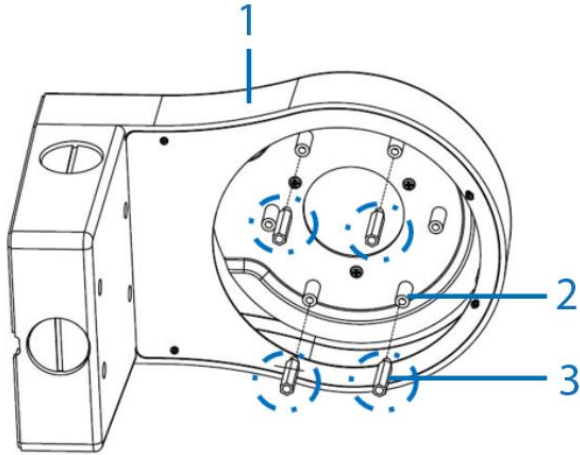


Figure 11

2. Insert the flat bracket (2) (Figure 12) up into the wall mount and align the four holes on the flat bracket (1) (Figure 12) with the four holes on the four standoffs.
3. Insert the four screws (3) (Figure 12) into the four holes and use a screwdriver to securely attach the flat bracket to the wall mount.

Attaching the camera to a wall mount (continued)

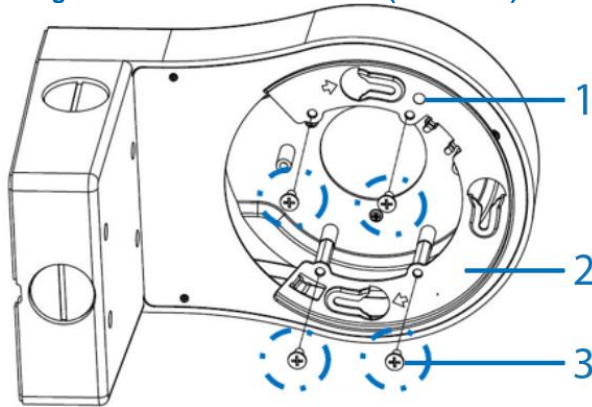


Figure 12

4. Continue at step 5 to 17 in the 'Mounting the Camera to a surface' procedure.

Attaching the camera to a pendant cap

You can attach the camera to the following Pendant Cap accessory (ADCi6DPCAPOW).

1. Hold the adaptor plate (2) (Figure 13) that comes in the box with the camera up into the pendant cap (1) (Figure 13).

Attaching the camera to a pendant cap (continued)

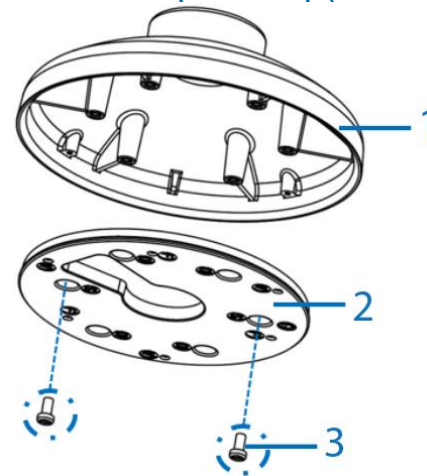


Figure 13

2. Align the two holes on the adaptor plate with the two holes on the pendant cap.
3. Insert the two screws (3) (Figure 13) into the two holes and use a screwdriver to securely attach the adaptor plate to the pendant cap.
4. Hold the flat bracket (2) (Figure 14) up to the adaptor plate (1) (Figure 14) and align the four holes on the flat bracket with the four holes on the adaptor plate.

Attaching the camera to a pendant cap (continued)

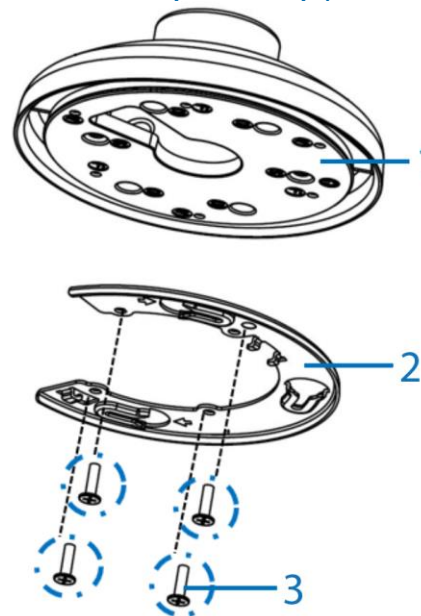


Figure 14

5. Insert the four screws (3) (Figure 14) into the two holes and use a screwdriver to securely attach the flat bracket to the adaptor plate.

Attaching the camera to a pendant cap (continued)

6. Continue at step 5 to 17 in the 'Mounting the Camera to a surface' procedure.