

Quick Start Guide

(8200-1929-02_A0)

Essential Gen4 2MP Fixed & Varifocal Bullet Cameras

In the box

- 1 x Essentials Outdoor IR Bullet camera
- 1 x Printed Quick Start Guide
- 1 x Torx wrench
- 3 x Plastic anchors
- 3 x Tapping screws
- 1 x Mounting template
- 1 x T6 Wrench 130mm X 30mm (Varifocal Camera)

Installation tools

- Drill
- Screwdrivers
- Wire cutters



Table 1: Camera parts and connections descriptions

	Name	Description
A	DC 12V Port	For powering on the camera through the DC12V power source.
B	RJ-45 Ethernet / PoE Port	Connect an Ethernet cable terminated with RJ-45 connector to the PoE RJ-45 port for both power supply and network connectivity purposes simultaneously.
C	Mounting Bracket	To mount the camera onto different environments, the mounting bracket is designed with three axes for flexible adjustment.
D	Internal Interface Cover	Use a screwdriver to loosen the 2 screws and open the cover to access the internal interfaces including the "RESET" and "DEFAULT" buttons, "Micro SD Card Slot", and LED's.
E	Protection Shield Hood	For minimizing the effects of rain and sunlight on image quality.

Table 2: Camera internal interface descriptions

Name	Description
Reset Button	Press and release to reboot the camera.
Signal LED (RED)	Indicates network data is being transmitted.
Micro SD card slot	Insert a micro SD card into the slot for recording and file storage.
Power LED (GREEN)	Indicates camera is powered on.
Default Button	Press the button for 6 seconds to restore to the factory default settings.

Mounting the camera

- Place the mounting template on the mounting surface and drill three 6mm (0.25") holes.
- Insert the three plastic anchors (1) (Figure 3) into the three holes.
- Place the camera on the mounting surface and align the three holes on the camera with the three holes on the mounting surface.
- Insert the three tapping screws (2) (Figure 3) into the three holes on the camera body and using the screw driver securely attach the camera to the wall / ceiling.

Quick reference

- Default IP: 192.168.1.168 (DHCP enabled)
- Default Username: admin
- Default Password: admin
- Power: PoE (IEEE 802.3af Class 3)

Figure 1: Camera parts and connections

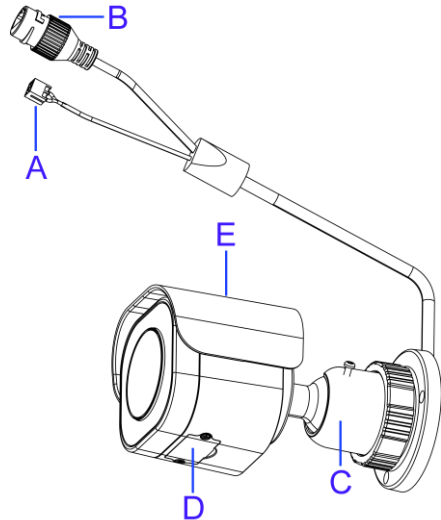


Figure 1

Figure 2: Camera internal interface and descriptions

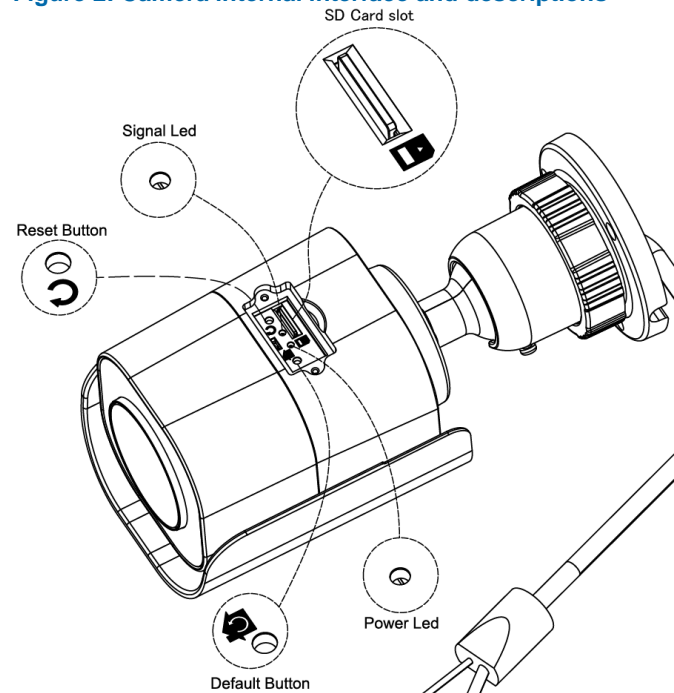


Figure 2

Mounting the camera (continued)

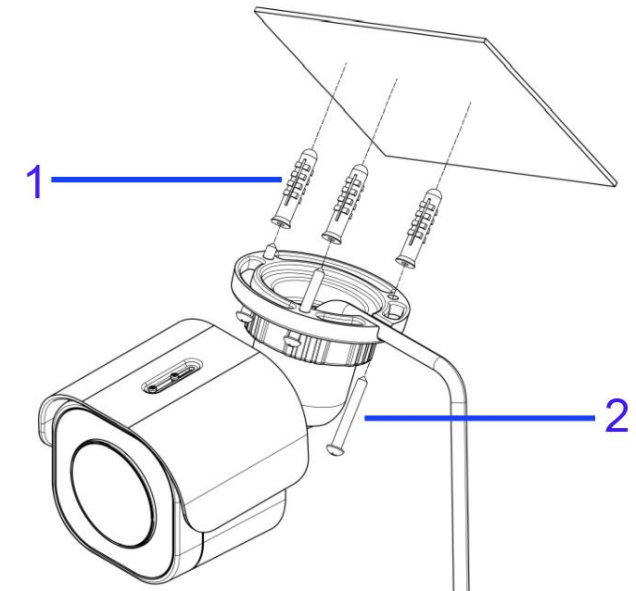


Figure 3

Wiring the camera

You can run the cable through the mounting bracket or you can run the cable through the cable side entry on the mounting bracket.

A. When mounting the camera, pass the cable through the mounting bracket and then through the:

- hole on the mounting surface (1) (Figure 4).
- OR
- the cable side entry on the mounting bracket (1) (Figure 5).

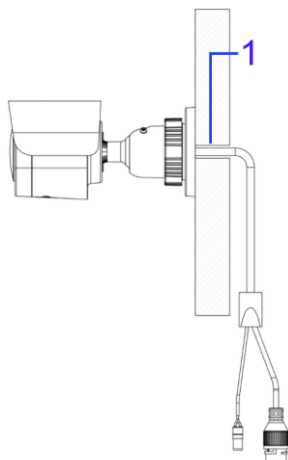


Figure 4

Wiring the camera (continued)

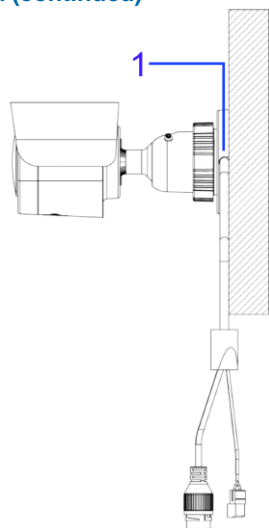


Figure 5

B. Connect an Ethernet cable terminated with the RJ-45 connector to the PoE port and ensure that the other end of the Ethernet cable is connected with a PoE compatible network device.

C. If necessary, connect the DC 12V power source into the DC 12V port.

Adjusting the camera position

The camera has three axes to adjust the field of view for different Applications (Figure 6). While screening live view on your monitor, adjust the axes as per the information below.

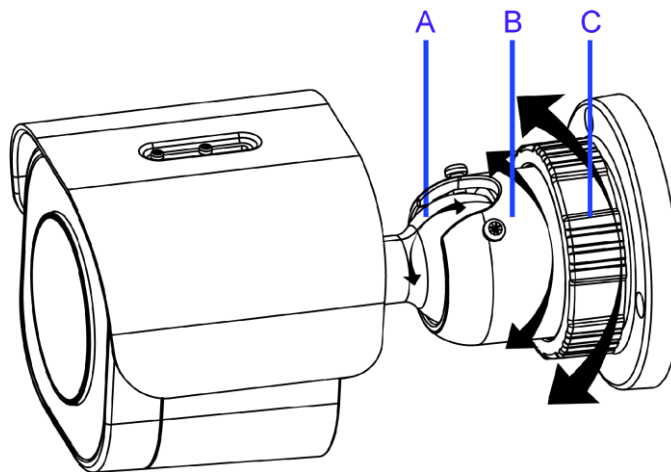


Figure 6

Adjusting the camera position (continued)

- **Tilt Adjustment (A – Figure 6)** Tilt this joint to adjust the camera vertically. The Tilt range is 0° – 90°.
- **Pan Adjustment (B – Figure 6)** Rotate this joint to adjust the camera horizontally. DO NOT rotate over the default limit of ± 360°.
- **Locking Ring (C – Figure 6)** Rotating the C ring counter-clockwise, the Pan & Tilt joints loosen and you can adjust for different angles. Rotating the C ring clockwise fastens the pan & tilt joints altogether.

Adjusting the protection shield hood

The protection shield hood protects the camera from both sunlight and rain.

- A. Use the L-Key to loosen the two screws (1) (Figure 7) located on the protection shield hood.
- B. Slide the protection shield (2) (Figure 7) forward or backward until the correct position is found.
- C. Use the L -Key and secure the two screws (1) (Figure 7) located on the protection shield hood.

Be careful not to excessively adjust the hood or you may damage the camera housing.

Adjusting the protection shield hood (continued)

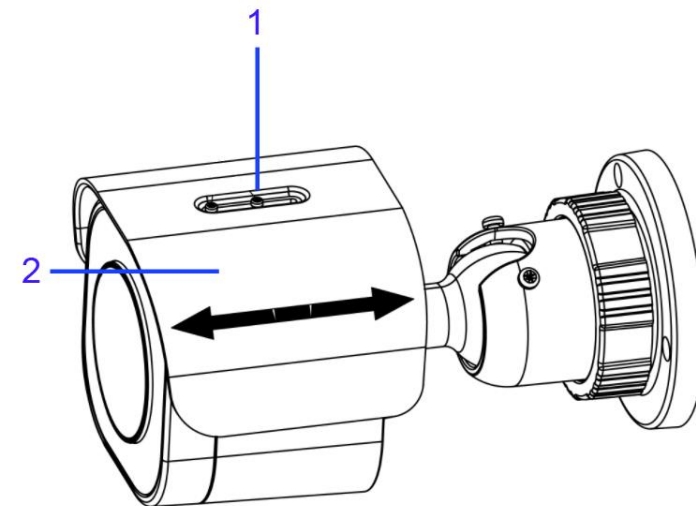


Figure 7

Warnings

- This product is intended for professional installation, please follow local wiring regulations.
- To meet EU security immunity requirements this product should be used with a Uninterruptable Power Supply to feed the mains input of any power adaptor
- The product should be powered by a limited power supply (LPS) sized according to the product rating label.
- The LAN symbol on the unit means this is not intended for connection to a public network or a LAN from a different building.
- Do not install where children are likely to have access.
- For outdoor use the camera should be mounted at least 3m above ground level.

© 2020 Johnson Controls. All rights reserved.

JOHNSON CONTROLS, TYCO and ILLUSTRATE are trademarks and/or registered trademarks. Unauthorized use is strictly prohibited.