

Quick Start Guide

(8200-1929-01\_B0)

Essential Gen4 2MP Fixed & Varifocal Dome Cameras

In the box

- 1 x Essentials Indoor / Outdoor Dome camera
- 1 x Printed Quick Guide
- 1 x Desiccant
- 1 x Torx Wrench
- 3 x Plastic Anchors
- 3 x Tapping Screws
- 1 x Mounting Guide Pattern

Installation tools

- Drill
- Screwdrivers
- Wire cutters



Figure 2: Internal Interface pictorial index

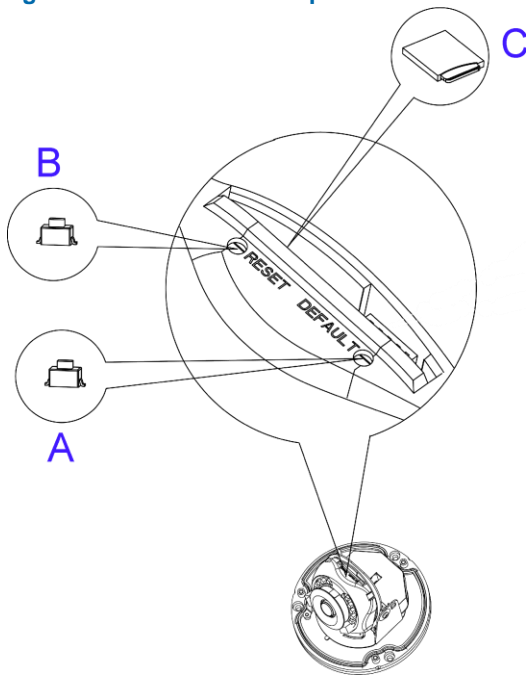


Figure 2

Mounting the camera (continued)

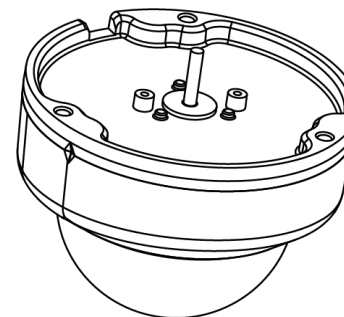


Figure 3

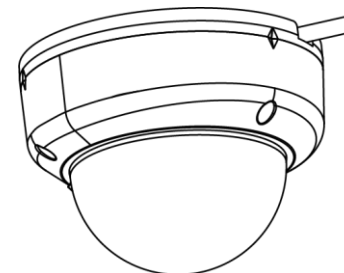


Figure 4

Quick reference

- Default IP: 192.168.1.168 (DHCP enabled)
- Default Username: admin
- Default Password: admin
- Power: 12Vdc / PoE (IEEE 802.3af Class 3)

Disassembling the camera.

A. Use the Torx wrench to loosen the three screws on the camera top cover (1) (Figure 1) and gently remove the cover (2) (Figure 1).

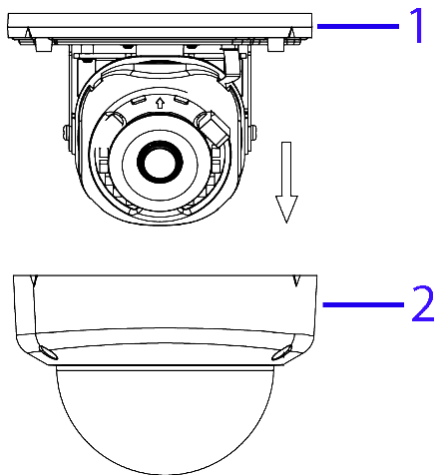


Figure 1

Table 1: Internal interface pictorial index descriptions

	Name	Description
A	Reboot Button	Press and release the button to reboot the camera.
B	Reset Button	Press the button for 1 second to reboot the camera.
C	Micro SD card slot	Insert a micro SD card into the slot for video recording and file storage.

Mounting the camera

- Place the mounting template on the wall / ceiling and drill three Ø4.5mm holes.
- Insert the three plastic anchors into the three holes.
- Determine how the camera pigtail cable should be routed:
  - Through the cable entry on top of the camera (Figure 3).
 

**Note:** If required then drill a cable hole on the wall as identified on the mounting template.

**OR**
  - Through the cable side entry slot (Figure 4).
 

**Note:** You do not need to drill a cable hole as identified in the mounting template when using the cable side entry slot.
- Route the camera pigtail cable as per one of the options in step C and place the camera onto the wall / ceiling and align the three holes on the camera with three holes on the wall / ceiling.

Mounting the camera (continued)

E. Insert the three tapping screws (1) (Figure 5) into the three holes on the camera body and using the screw driver securely attach the camera to the wall / ceiling.

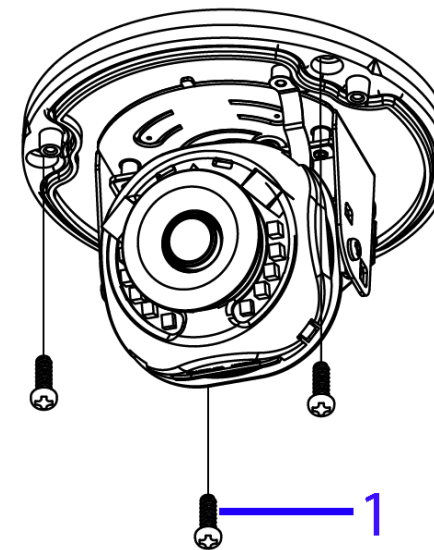


Figure 5

## Adjusting the camera position

The camera has three axes to adjust the field of view for different applications (Figure 6). While screening live view on your monitor, adjust the axes as per the information below on the next page.

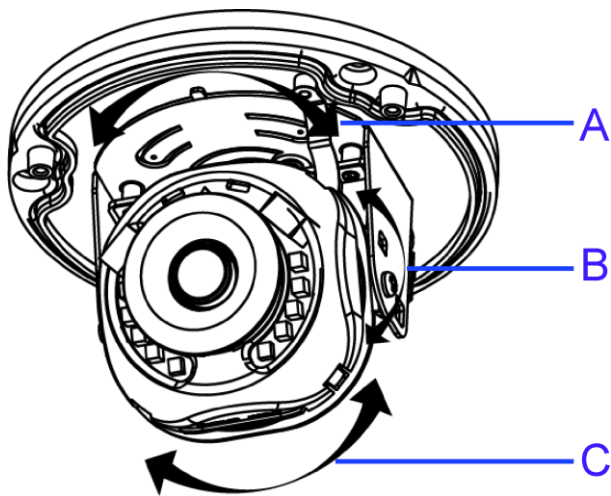


Figure 6

## Assembling the camera (continued)

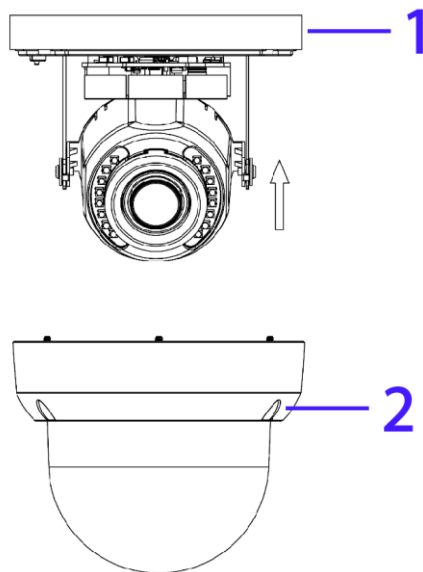


Figure 7

## Adjusting the camera position (continued)

- **Pan Adjustment (A - Figure 6)** Rotate the lens base until satisfied with the field of view. Please DO NOT rotate over the default limit of  $>355^\circ$ .
- **Tilt Adjustment (B - Figure 6)** Tilt the camera lens within the certain range ( $70^\circ$ ) to your desired field of view.
- **Horizontal Rotation (C - Figure 6)** Rotate the 3D assembly in the lens, DO NOT turn the assembly more than the limit ( $\pm 355^\circ$ ) as this may result in the internal cables becoming twisted, disconnected, or broken.

## Assembling the camera

- A. Place the camera top cover (2) (Figure 7) onto the camera body (1) (Figure 7).
- B. Use the Torx wrench to securely attach the three Torx screws located on the camera top cover (2) (Figure 7).

## Powering up the camera

- 12Vdc: Connect the 12Vdc cable to the DC 12V terminal.  
**OR**
- PoE: Connect the RJ-45 jack to a PoE compatible network device that supplies power through the Ethernet cable.

## Warnings

- This product is intended for professional installation, please follow local wiring regulations.
- To meet EU security immunity requirements this product should be used with a Uninterruptable Power Supply to feed the mains input of any power adaptor
- The product should be powered by a limited power supply (LPS) sized according to the product rating label.
- The LAN symbol on the unit means this is not intended for connection to a public network or a LAN from a different building.
- Do not install where children are likely to have access.