

Quick Start Guide

(8200-1937-10\_A0)

Flex Gen 3  
Outdoor Dome camera  
Mounting back box accessory

The IBBJ-F-3OWB-0 mounting back box is used to install the FG3 Outdoor Dome camera to an electrical gang box or a wall

In the box

- 1 x Mounting back box
- 4 x '50x4mm' tapping screws
- 4 x '40x6mm' plastic screw anchors
- 3 x '8x4mm' screws
- 1 x Printed Quick Start Guide

Installation tools

- 1 x Screw driver
- 1 x drill



Table 1: Mounting Back box symbol description

Symbol	Name	Description
A	Double Gang Box	Attach the plate to a double gang box.
B	4" Octagon	Attach the plate to a 4" Octagon box
C	Single Gang box	Attach the plate to a single gang box.

Installing the back box to an electrical gang box

When installing the mounting back box to an electrical gang box then you must first remove the electrical gang box cover.

**Note:** All camera cables can be routed through the cable hole on the mounting back box or the side entry hole on the back box.

1. Safely remove the electrical gang box cover.
2. Hold the mounting back box up to the electrical gang box and align the holes on the mounting back box with the holes on the electrical gang box.
3. Insert the four screws into the four holes on the mounting back box and securely attach it to the electrical gang box. (See **Figure 1** and **Table 1** for help identifying the correct connection holes for the different electrical gang boxes).
4. Hold the Outdoor Dome camera up to the mounting back box and route all camera cables through the cable hole on the back box or the cable side entry hole (1) (Figure 2).

**Note:** You must first remove the cap-bolt (3) (Figure 2) and then attach the cable pipe (2) (Figure 2) when using the cable side entry hole.

Installing the back box to an electrical gang box (continued)

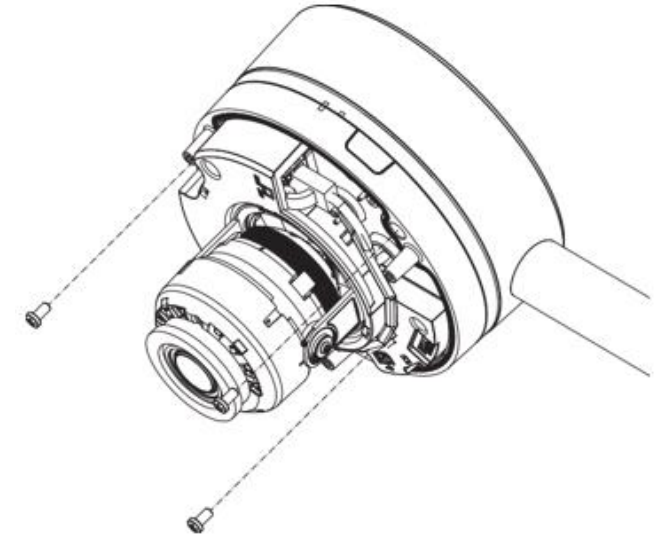


Figure 3

7. See the Outdoor Dome camera Quick Start Guide for assistance on how to install the Outdoor Dome camera.

Figure 1: Outdoor Dome mounting back box

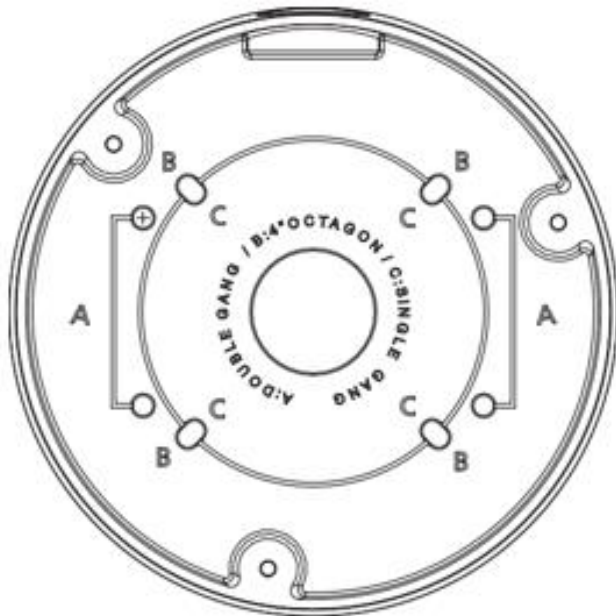


Figure 1

Installing the back box to an electrical gang box (continued)

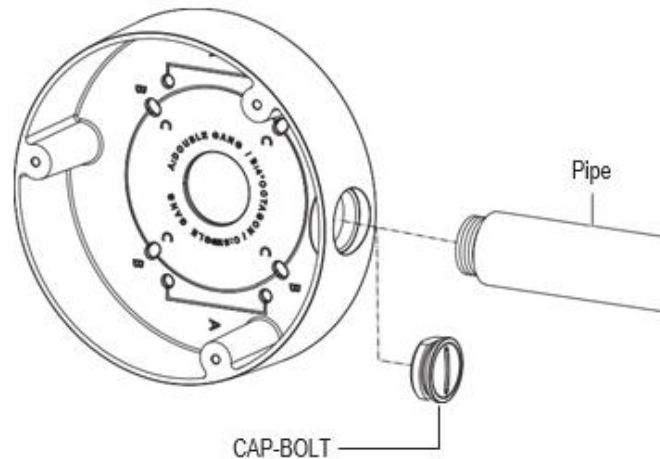


Figure 2

5. Hold the Outdoor Dome camera base (1) (Figure 3) up to the mounting back box and align the holes on the camera base with the holes on the mounting back box.
6. Securely attach the camera base to the mounting back box with the two camera base screws.

Installing the back box to a wall

**Note:** All camera cables can be routed through the cable hole on the mounting back box or the side entry hole on the back box.

1. Hold the mounting back box up to the wall and mark-up on the wall four holes for the screws.
2. Drill a hole on each of the four mark-ups on the wall.
3. Insert the four plastic screw anchors into the four holes.
4. Hold the back box up to the wall and align the holes on the back box with the holes on the wall.
5. Insert the four screws into the four holes on the mounting back box and securely attach it to the wall.
6. Hold the Outdoor Dome camera up to the mounting back box and route all camera cables through the cable hole on the back box or the cable side entry hole (1) (Figure 2).  
**Note:** You must first remove the cap-bolt (3) (Figure 2) and then attach the cable pipe (2) (Figure 2) when using the cable side entry hole.
7. Hold the Outdoor Dome camera base (1) (Figure 3) up to the mounting back box and align the holes on the camera base with the holes on the mounting back box.
8. Securely attach the camera base to the mounting back box with the three camera base screws.
9. See the Outdoor Dome camera Quick Start Guide for assistance on how to install the Outdoor Dome camera.

### **Warnings**

- Ensure to install the mounting back box and camera on an area strong enough to support more than four times the total weight of this product and the camera.