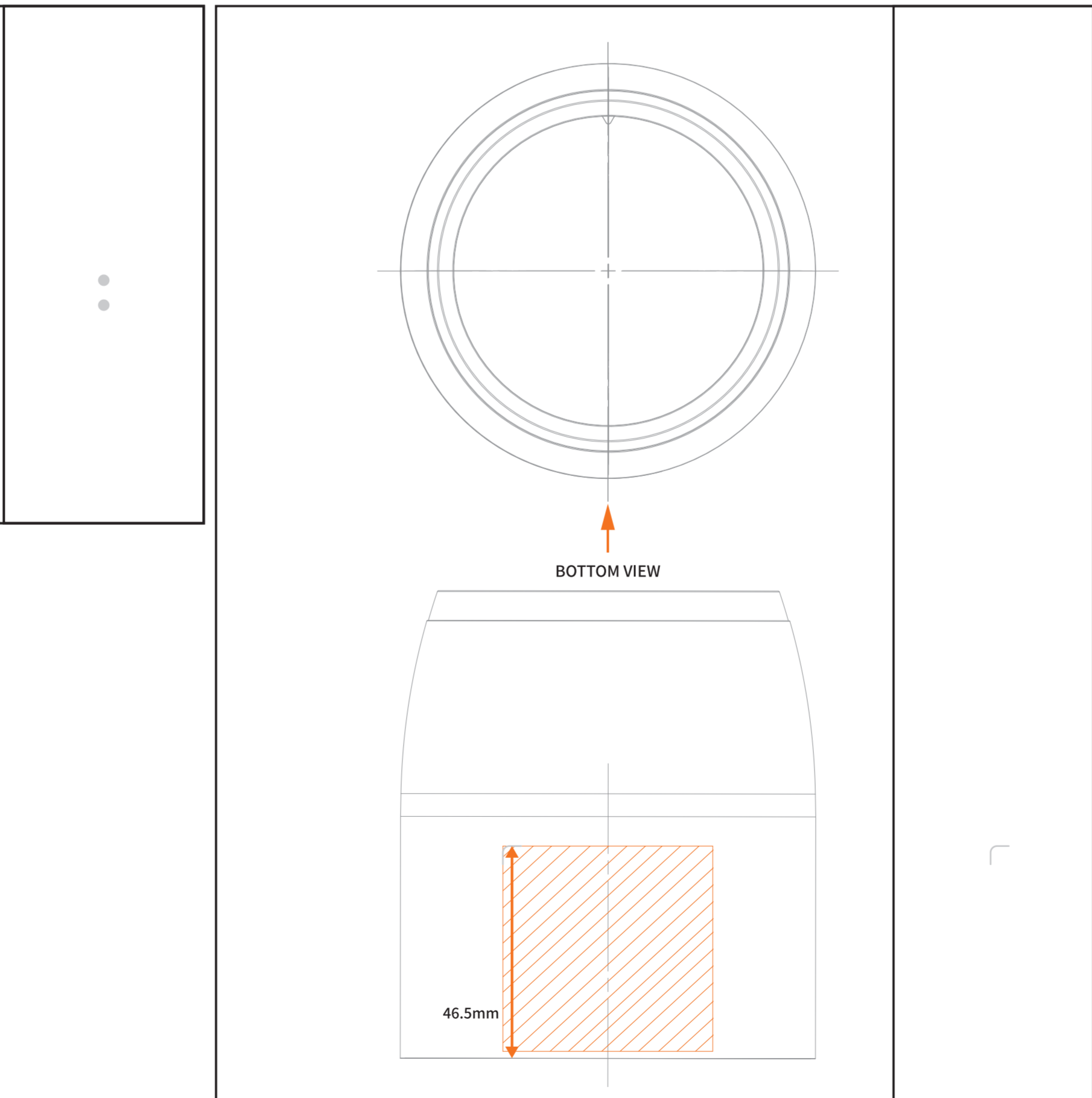
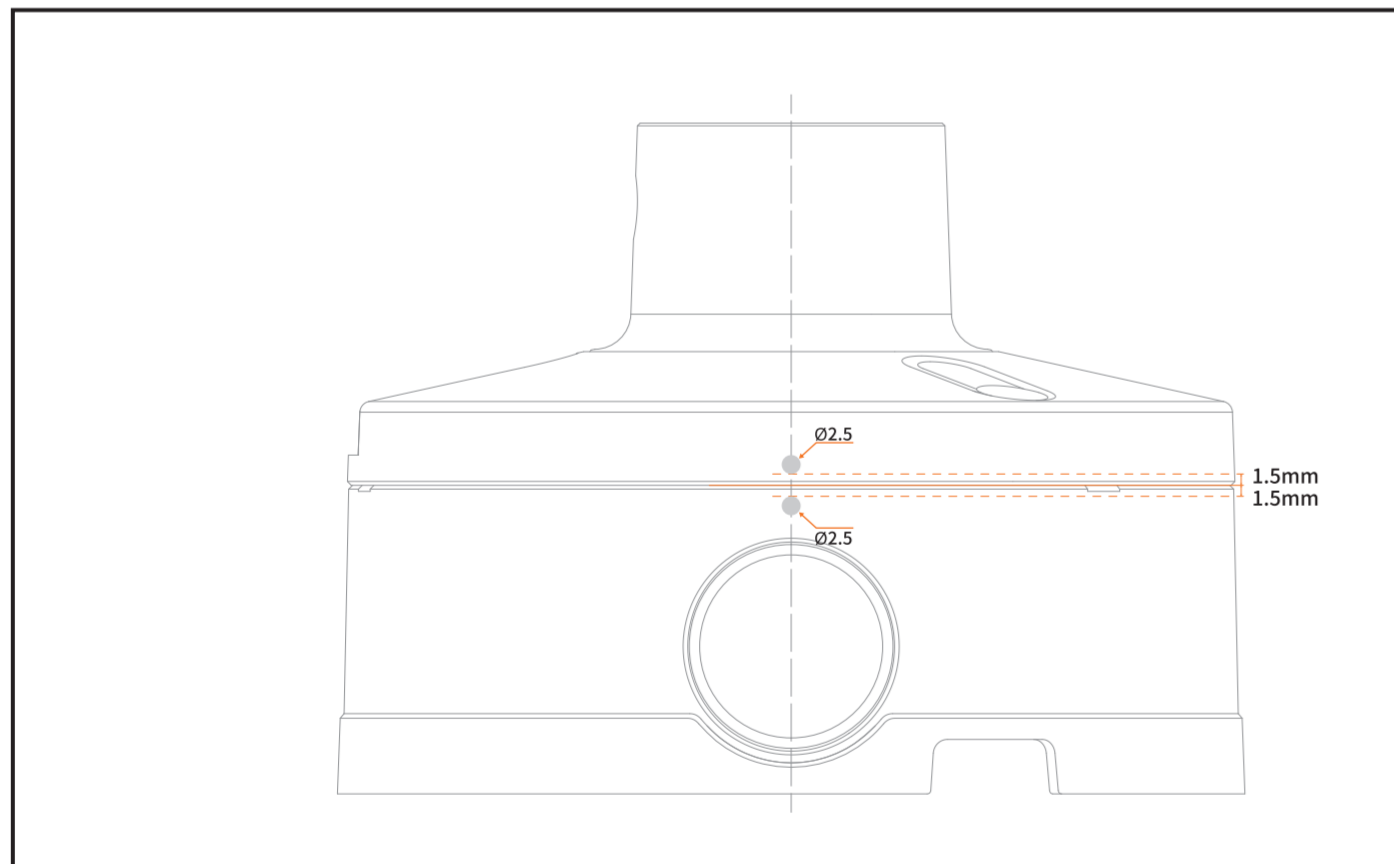
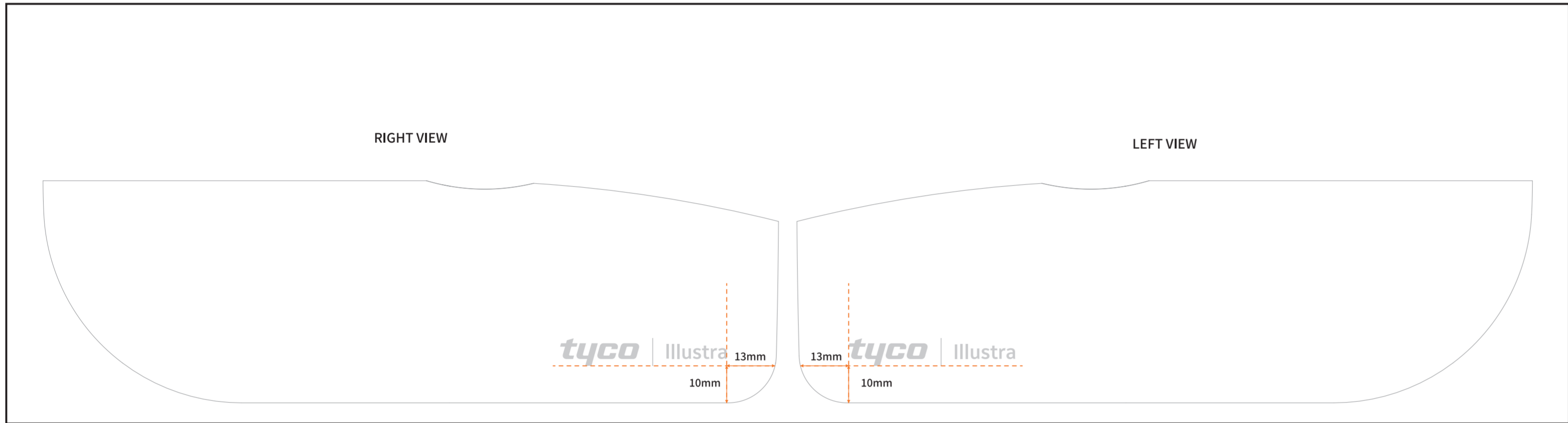
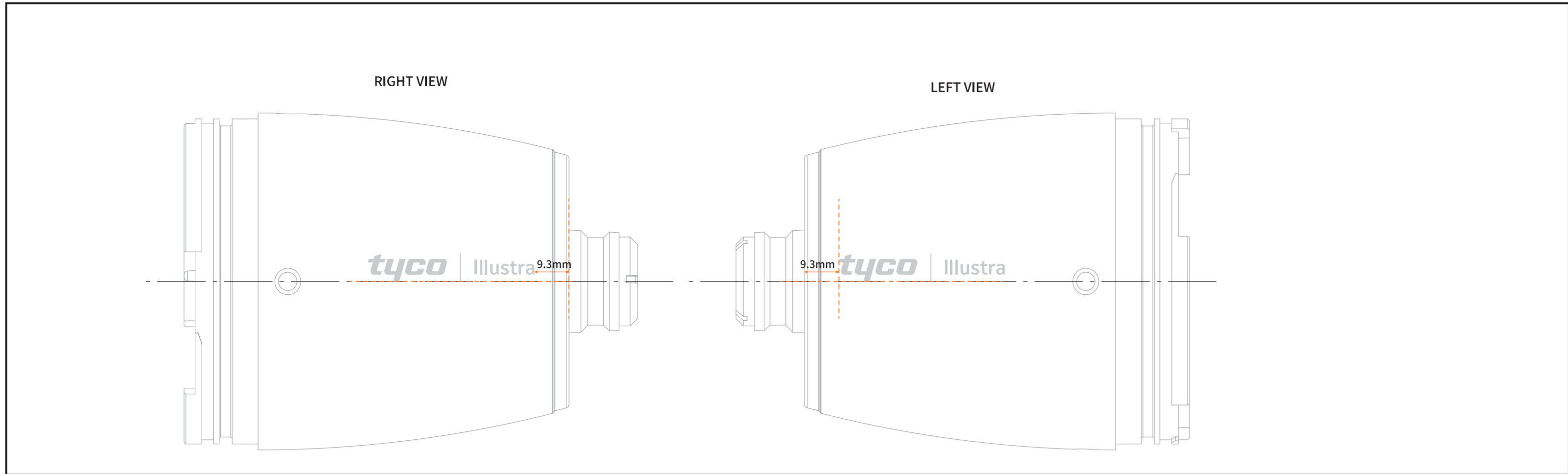


SCALE : 100%



WHITE

| NO. | PART NAME       | MATERIAL | SURFACE EFFECTION   |
|-----|-----------------|----------|---|
| 1   | WINDOW INNER    | PC       | CLEAR<br>SILK PRINT : REFER #1  |
| 2   | HOOD WINDOW     | PC       | RESIN : BLACK STANDARD<br>TEXTURE : SE-1006 , GLOSS 0%                          |
| 3   | WINDOW FRONT    | PC       | IR GLASS  |
| 4   | COVER FRONT     | AL       | SPRAY : MP-3/HTW WHITE METAL POWDER<br>SILK PRINT : REFER #5                    |
| 5   | COVER REAR      | AL       | SPRAY : MP-3/HTW WHITE METAL POWDER<br>SILK PRINT : REFER #2                    |
| 6   | SUNSHIELD       | PC/ASA   | RESIN : WHITE STANDARD<br>TEXTURE : SE-1014 , GLOSS30%<br>SILK PRINT : REFER #3 |
| 7   | PAN BODY        | AL       | SPRAY : MP-3/HTW WHITE METAL POWDER   |
| 8   | TILT BODY       | AL       | SPRAY : MP-3/HTW WHITE METAL POWDER   |
| 9   | CASE TOP BB     | AL       | SPRAY : MP-3/HTW WHITE METAL POWDER<br>SILK PRINT : REFER #4                    |
| 10  | COVER BUTTON    | PC/ASA   | RESIN : WHITE STANDARD<br>TEXTURE : SE-1014 , GLOSS30%                          |
| 11  | DOOR BB         | AL       | SPRAY : MP-3/HTW WHITE METAL POWDER   |
| 12  | CASE BOTTOM BB  | AL       | SPRAY : MP-3/HTW WHITE METAL POWDER<br>SILK PRINT : REFER #4                    |
| 13  | BRACKET SEALING | AL       | SPRAY : MP-3/HTW WHITE METAL POWDER   |
| 14  | COVER CONDUIT   | AL       | SPRAY : MP-3/HTW WHITE METAL POWDER   |
| 15  | CAP CABLE SLOT  | PC/ASA   | RESIN : WHITE STANDARD<br>TEXTURE : SE-1014 , GLOSS30%                          |
| 16  | KNOB            | AL       | SPRAY : MP-3/HTW WHITE METAL POWDER   |
| 17  | COVER INTERFACE | PC/ASA   | RESIN : WHITE STANDARD<br>TEXTURE : SE-1006 , GLOSS30%                          |

