

Quick Start Guide

(8200-2007-05\_B0)

Illustra Pro Gen4 2MP & 8MP IR PTZ Indoor camera  
(P/N IPS02-P07-RT04 & IPS08-P25-RT04)

In the box

- 1 x Indoor PTZ Camera
- 1 x Printed Quick Start Guide
- 1 x Mounting template sticker
- 1 x Printed Regulatory document
- 1 x BNC+ Connector cable (1000mm)
- 1 x Torx 20 Security L-Key
- 1 x 12-pin terminal connector
- 1 x Safety cable (Pre-attached to the camera)
- 1 x 2-pin terminal connector (2 pin tray 10x18x15mm L type)
- 1 x Waterproof connector (NPT 1/2)
- 2 x Stopper for Waterproof connector

Installation tools

- 1 x Screw driver
- 1 x Torx 10 security L-Key
- 1 x Drill
- 1 x Wire cutters



Table 1: Camera part descriptions

Number	Description
1	Recessed camera housing
2	Bubble assembly screws (x4)
3	Camera lens
4	Bubble assembly

Quick reference

- Default IP: 192.168.1.168 (DHCP enabled)
- Default Username / Password: admin / admin
- Power: 802.3at PoE+ Type 2 (30w) or AC 24V

**Note:** As part of the start-up sequence the camera runs motor calibration, this includes a 15 second 'shake' procedure.

Removing the camera from the Recessed camera housing

You can then access the cameras interior buttons and connections.

1. Place the Recessed camera housing on a flat surface so that the Bubble assembly (4) (Figure 1) is facing upward. **Note:** The four Bubble assembly screws are now visible.
2. Use the Torx security L-Key to loosen the four screws (2) (Figure 1) on the camera Bubble assembly and remove the Bubble assembly. **Note:** As a safety precaution the Bubble assembly is attached to a safety wire. The camera lens (3) (Figure 1) is now visible.
3. Loosen the three captive fastener screws (1) (Figure 2) on the camera.
4. Gently push the two plastic clips (2) (Figure 2) located on the Recessed camera housing away from the camera and lift the camera away from Recessed camera housing.

Table 2: Camera interior buttons / connections descriptions

Buttons / Connectors	Description
AC24V ~ ~	AC24V Power connector
	PoE Ethernet port
	Analog out port
	Audio and Alarm pins (See Figure 3 for descriptions)
	Reset to factory default (Hold for 5 seconds and then release)
	Power LED indicator
	Reboots the camera

Figure 1: PG4 IR PTZ camera parts

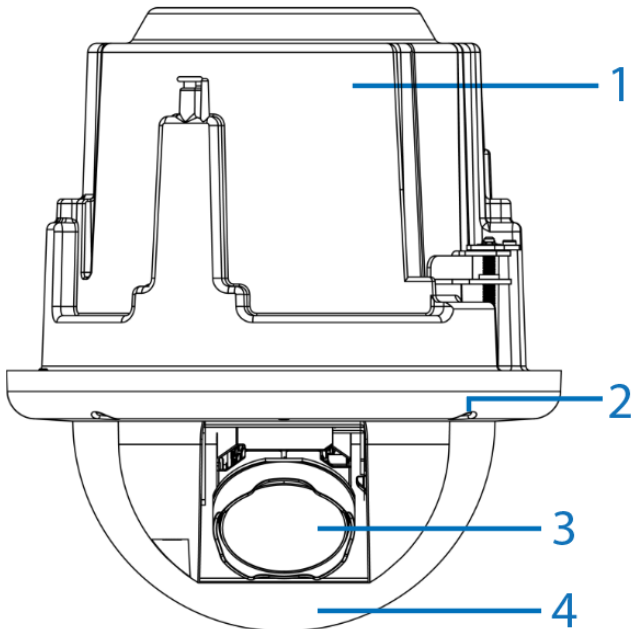


Figure 1

Removing the camera from the Recessed camera housing (continued)

**Note:** The camera interior buttons are located on the flat underside of the camera. See **Table 2** for all symbols and descriptions.

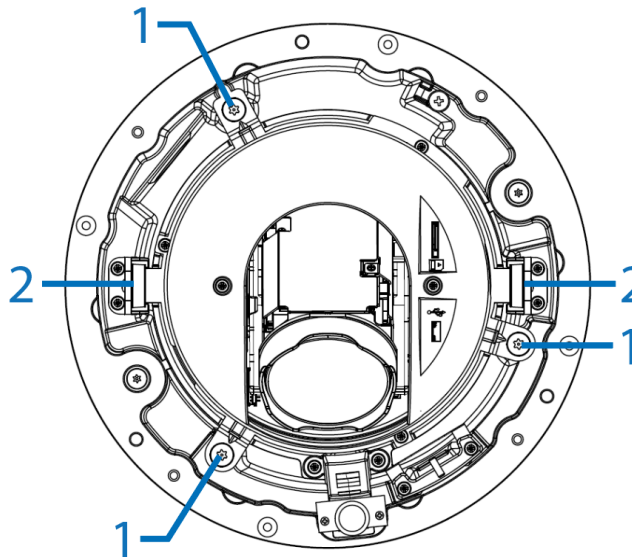


Figure 2

Figure 3: Audio and alarm pin descriptions

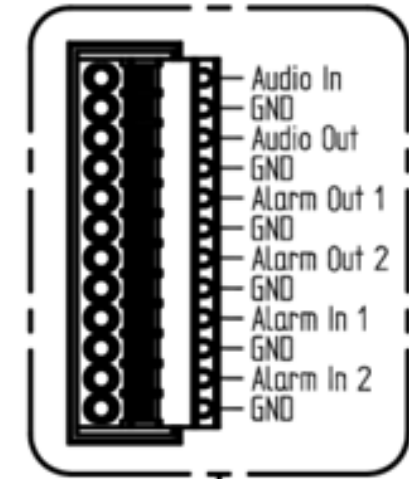


Figure 3

Mounting the camera

Refer to the Illustra mounting accessories webpage <https://www.illustracameras.com/products/accessories/mounts> for assistance. The following mount accessory part numbers are applicable with the Illustra Pro Gen4 Indoor 2MP and 8MP IR PTZ camera: RHOSW, RHOLW, RHOTR, ROTRF, RHOWCA, ROENDC and IAPN-P-IS12-0.

**Inserting or removing the micro SD card**

- Carefully insert (or remove) the micro SD card (1) (Figure 4) into (or from) the camera. **Note:** It is advised that you reboot the camera after inserting the micro SD card.

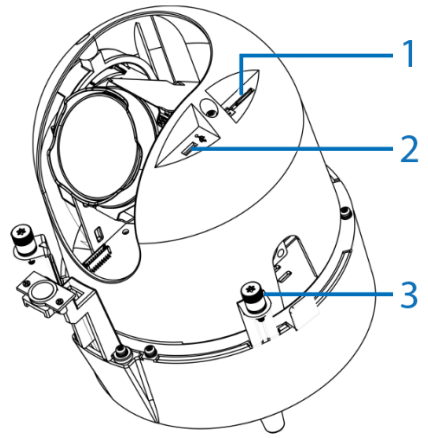


Figure 4

**Note:** The USB cable connection slot (2) (Figure 4) for Wi-Fi configuration is also located next to the micro SD card cover. The Wi-Fi option allows wireless configuration of the camera at the point of install in conjunction with the Illustra Tools app (Illustra Wi-Fi dongle required).

**Installing the camera into a ceiling (continued)**

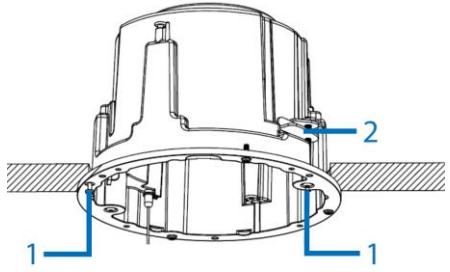


Figure 5

- Hold the Bubble assembly up to the camera housing and attach the Bubble safety lanyard on to the 'hook' located on the camera housing.
- Align the four screws on the Bubble assembly with the four holes on the camera housing and attach the Bubble assembly to the camera housing.

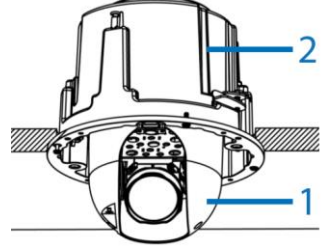


Figure 6

**Installing the camera into a pendant mount (continued)**

- Place the camera housing (1) (Figure 8) up into the pendant mount (2) (Figure 8) and pull the power cables through the hole in the camera housing.

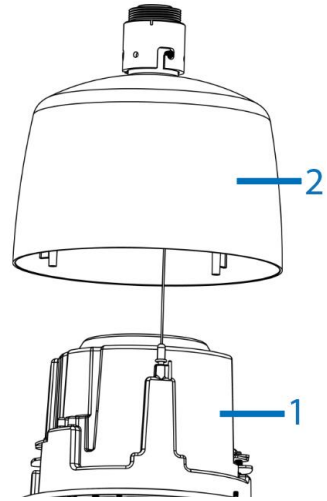


Figure 8

- Align the four holes on the camera housing with the four holes in the pendant mount and securely attach the camera housing to the pendant mount.

**Connecting the wires**

This unit supports one of the following options as power supply:

- Connect a power source.
  - AC24V wired to connector and separate RJ45 Ethernet.
  - OR**
  - PoE through RJ45 connector. The unit operates with IEEE 802.3at (30W).
- Connect any optional audio or digital inputs or outputs.

**Installing the camera into a ceiling**

- Remove the camera from the Recessed camera housing as per steps 1 to 4 in **Removing the camera from the Recessed camera housing** procedure.
- Place the mounting template sticker onto the ceiling and cut out a cable hole as per the markings on the sticker.
- Pull all power cables through hole on the ceiling.
- Attach one end of a safety chain/cable (not supplied) to a secure structure within the roof and the other end to the 1/4"-20 threaded hole on the top of the camera housing. **Note:** The safety chain/cable should be capable of supporting up to 7.3 kg (16 pounds).
- Hold the Recessed camera housing up to the hole in the ceiling and pull all power cables through the hole in the camera housing.
- Insert the Recessed camera housing into the hole in the ceiling and fasten the two screws (1) (Figure 5) with a screwdriver so that both locking springs paddles (2) (Figure 5) can slide out to secure the camera housing into the ceiling.
- Hold the camera up to the camera housing and connect all power cables to the camera.
- Ensure that the two metal 'clips' on the camera align with the two plastic 'tracks' in the camera housing.
- Push the camera (1) (Figure 6) into the camera housing (2) (Figure 6) until it is **temporarily** secure in the camera housing.
- Screw the three captive fasteners (3) (Figure 4) to **fully** secure the camera to the camera housing.

**Installing the camera into a pendant mount (sold separately)**

- Remove the camera from the Recessed camera housing as per steps 1 to 4 in **Removing the camera from the Recessed camera housing** procedure.
- Once the pendant mount is installed then pull all power cables through the pendant mount arm.
- Securely place the rubber cable seal (2) (Figure 7) into the pendant cap (3) (Figure 7).
- Place the mount adaptor (1) (Figure 7) on to the NPT pendant cap (3) (Figure 7) and align the holes on the mount adaptor with the holes on the NPT pendant cap.
- Insert the three security screws into the three holes and use the Torx security L-Key to securely attach the screws and the mount adaptor to the NPT cap. **Note:** To maintain the waterproof seal only pierce holes that are required for the installation. **Note:** Only use the existing hole points in the grommet for each cable, do not cut additional holes in the grommet.

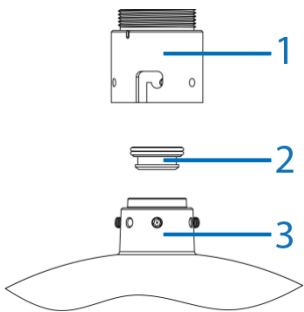


Figure 7

**Installing the camera into a pendant mount (continued)**

- Push the camera into the camera housing until it is **temporarily** secure in the camera housing.
- Screw the three captive fasteners (3) (Figure 4) to **fully** secure the camera to the camera housing.
- Hold the Bubble assembly up to the camera housing and securely attach the Bubble assembly safety lanyard on to the 'hook' located on the camera housing.
- Align the four screws on the Bubble assembly with the four holes on the camera housing and securely attach the Bubble assembly to the camera housing.

**Warnings**

- Installation and service should be performed only by qualified and experienced technicians and comply with all local codes and rules to maintain your warranty.
- Wipe the camera with a dry soft cloth. For tough stains, slightly apply with diluted neutral detergent and wipe with a dry soft cloth.
- Do not apply benzene or thinner to the camera, which may cause the surface of the unit to be melted or lens to be fogged.
- To meet EU EMC immunity requirements for security equipment the mains power for equipment powering this unit should be backed up by an uninterruptible power supply.
- Avoid operating or storing the unit in the following locations:
  - Near fluorescent lamps or objects with reflections.
  - Under unstable or flickering light sources.