

4MP IR Vandal Proof Mini Dome Network Camera



Features That Make a Difference

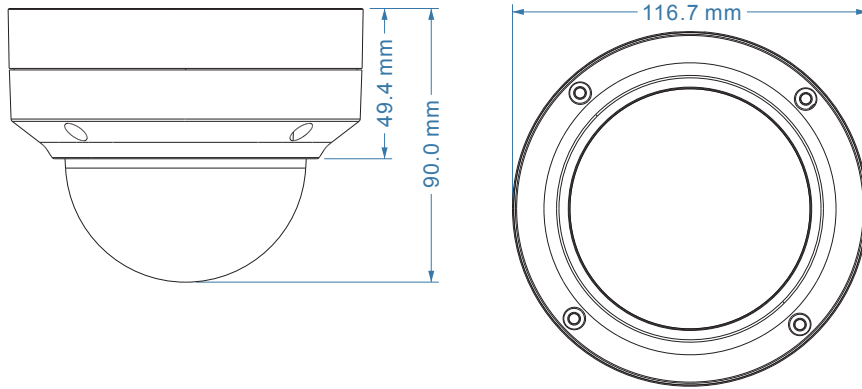
- 4MP resolution (2560 × 1440), H.265
- True day / night
- Up to 30m IR distance
- Digital WDR
- 3D DNR, HLC & BLC
- Triple streams
- Smart codec by ROI
- PoE power supply
- Basic intelligent video analytics
- IP67 / IK10

Specification

Camera	
Imager	1 / 2.7" CMOS
Effective Pixels	2560 × 1440
Min. Illumination	0.01 Lux, F1.2, AGC ON; 0.04 Lux, F2.26, AGC ON; 0 lux with IR
Shutter Speed	PAL: 1 / 25 s ~ 1 / 100000 s NTSC: 1 / 30 s ~ 1 / 100000 s
S/N Ratio	≥52 dB
Angle Adjustment	Pan : 0°~355°, Tilt : 0°~67°, Rotation : 0°~355°
Lens	
Focal Length	2.8 mm @ F2.0
Iris Type	Fixed Iris
Field of View	2.8 mm@F2.0, horizontal field of view:110°, Vertical: 77.6°
Lens Mount	M12
Video	
Video Compression	H.265 / H.264
H.264 Compression Standard	Base Line / Main Profile / High Profile
H.265 Compression Standard	Main Profile @Leve4.1 High Tier
Resolution	4MP (2560 × 1440), 3MP (2304 × 1296), 1080P (1920×1080), 720P (1280×720), D1, CIF, 480×240
Max.Frame Rate	30fps @ all resolution
Video Bit Rate	64 Kbps ~ 5 Mbps
Multiple Streaming	Triple streams

Main Stream	60Hz : 4MP/3MP/1080P(1~30fps) 50Hz : 4MP/3MP/1080P(1~25fps)
Sub Stream	60Hz : 720P(1~15fps)/D1 /CIF (1~30fps) 50Hz: 720P(1~12fps)/D1(1~25fps)/CIF (1~25fps)
Third Stream	60Hz : D1/CIF/480x240 (1~30fps) 50Hz: D1/CIF/480x240 (1~25fps)
Smart Codec	ROI, 3 zones
Bitrate Control	VBR / CBR
Quality Control	Five levels under VBR; Freely adjustable under CBR
Image Setting	ROI, Saturation, Brightness, Chroma, Contrast, Wide Dynamic, Sharpen, NR,etc.
Audio	
Audio Communication	None
Audio Compression Format	None
Audio Bit Rate	None
Operational	
Day & Night	IR cut filter with auto switch
Backlight Compensation	Yes
Wide Dynamic Range	Digital WDR
IR Distance	Up to 30M
Digital Noise Reduction	2D/3D DNR
Digital Zoom	Yes
Defog	Yes
Flip / Mirror	Yes
Video Privacy	4 zones video mask
Intelligent Video Analytics	Object removal (object left/missing detection), scene change and video blur detection, intrusion and line crossing
Alarm Triggers	Motion detection, Intelligent video analytics, Network disconnect, SD card full, SD card error
Edge Storage	Built-in micro SD card slot, up to 128GB
Backfilling	Yes
Network	
Network Protocol	TCP / IP, UDP, DHCP, NTP, RTSP, PPPoE, DDNS, SMTP, FTP, UPnP, Unicast, Multicast
Cyber Security	HTTPS / IP Filter / IEEE 802.1X /Blacklist & whitelist/ account security/telnet access control/serial password
Online Connection	Support simultaneous monitoring for up to 4 users; Support multi-stream real time transmission
Remote Monitoring	Webviewer browsing, ExacqVision, victor
API	ONVIF (Profile S/G), iAPI3
Interface	
Network	RJ45
Audio	None
Video Output	None
Onboard Storage	Built-in micro SD/SDHC/SDXC slot
RS485	None
Alarm	None
Hardware Reset	Support
Environmental	
Operating Temperature	-30 °C~60 °C
Operating Humidity	10 % ~ 90 % relative humidity
Ingress Protection	IP67
Vandal Resistance	IK10
General	
Power Supply	DC12V / PoE
Power Consumption	< 6W
Dimensions (mm)	Ø 116.7 × 90
Material	Metals
Weight	≈0.61 kg
Certification	Part 15.107, EN 55032:2015, EN 55035:2017 Part 15.109, UL 62368-1
Warranty	3 years

Dimension



Accessories

Conduit Box for mini Vandal Dome



Wall mount for mini Vandal Dome



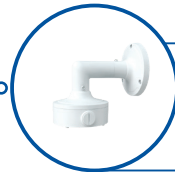
Pendant mount kit



+



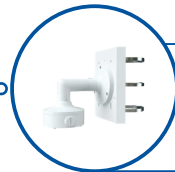
Wall mount kit



+



Pole mount kit



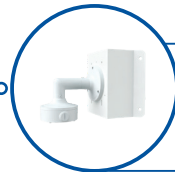
+



+



Corner mount kit



+



+



Ordering Information

Module	Description
ISE-V04F283S-N	H.265 4MP IR Vandal Proof Dome N/W Camera, 2.8mm, 30M IR, Micro SD, DC12V/PoE, IP67/IK10, IVA
ISMNDCB01	Conduit Box for mini Vandal Dome
ISMNDPD01	Pendant mount with conduit box for mini Vandal Dome (use with ISMNDCB01)
ISMNDWM01	Wall mount for mini Vandal Dome (use with ISMNDCB01)
ISMNDPM01	Pole mount for mini Vandal Dome (use with ISMNDWM01 & ISMNDCB01)
ISMNDCM01	Corner mount for mini Vandal Dome (use with ISMNDWM01 & ISMNDCB01)
ISMNDWM02	Wall mount for mini Vandal Dome

About Johnson Controls

At Johnson Controls (NYSE:JCI), we transform the environments where people live, work, learn and play. As the global leader in smart, healthy and sustainable buildings, our mission is to reimagine the performance of buildings to serve people, places and the planet.

Building on a proud history of nearly 140 years of innovation, we deliver the blueprint of the future for industries such as healthcare, schools, data centers, airports, stadiums, manufacturing and beyond through OpenBlue, our comprehensive digital offering.

Today, with a global team of 100,000 experts in more than 150 countries, Johnson Controls offers the world's largest portfolio of building technology and software as well as service solutions from some of the most trusted names in the industry.

Visit www.johnsoncontrols.com for more information and follow [@Johnson Controls](#) on social platforms.

© 2023 Johnson Controls. All rights reserved. Product offerings and specifications are subject to change without notice. Actual products may vary from photos. Not all products include all features. Availability varies by region; contact your sales representative.

IL1200-DS-202307-R04-HS-EN

Illustra

