

5MP Motorized V/F IR Bullet Smart Network Camera



Features That Make a Difference

- 5MP resolution (2592 × 1944), H.265
- 30fps@5MP, 60fps@2MP
- True day / night
- Up to 70m IR distance with Smart IR
- Auto focus by motorized V/F lens
- True WDR, up to 120dB
- 3D DNR, HLC & BLC
- Defog
- Triple streams
- Smart codec by ROI
- 2-way audio & alarm in/out
- Onboard storage
- PoE power supply
- Advanced intelligent video analytics
- Face detection / capture
- Smart non-false alarm
- IP67 / IK10

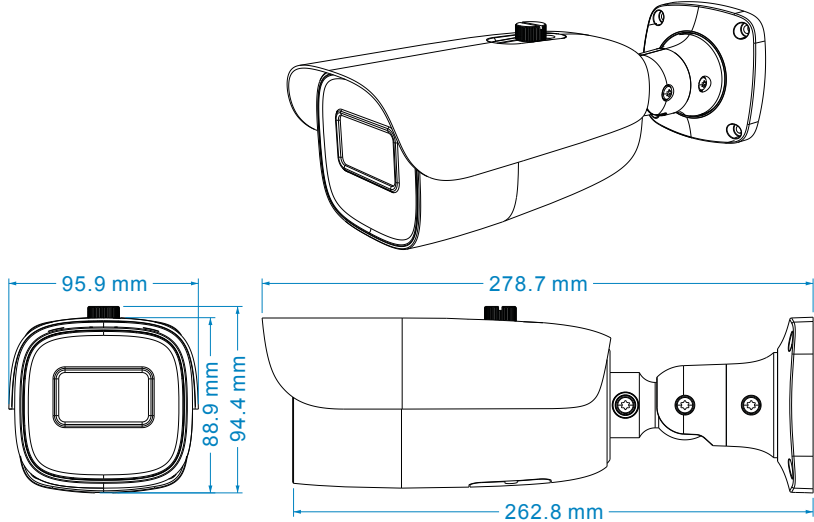
Specification

Camera	
Imager	1 / 2.7" CMOS
Effective Pixels	2592 × 1944
Min. Illumination	0.008 Lux,F1.2,AGC ON; 0.01 Lux, F1.6,AGC ON; 0 lux with IR
Shutter Speed	PAL: 1 / 25 s ~ 1 / 100000 s NTSC: 1 / 30 s ~ 1 / 100000 s
S/N Ratio	≥52 dB
Angle Adjustment	Any angle
Lens	
Focal Length	2.8~ 12 mm @F1.4, Motorized
Iris Type	DC-Iris
Field of View	Horizontal: 92.7°~ 29.8° Vertical: 76.4°~ 22.6°
Focus Control	auto-focus
Lens Mount	∅ 14
Video	
Video Compression	H.265 / H.264
H.264 Compression Standard	Base Line / Main Profile / High Profile
H.265 Compression Standard	Main Profile @Leve4.1 High Tier
Resolution	5MP (2592×1944), 4MP (2560×1440),3MP (2304×1296), 1080P (1920×1080), 720P (1280×720),D1, CIF, 480×240
Max.Frame Rate	30fps @ all resolution,60fps @ 1080P
Video Bit Rate	128 Kbps ~ 10 Mbps
Multiple Streaming	Triple streams

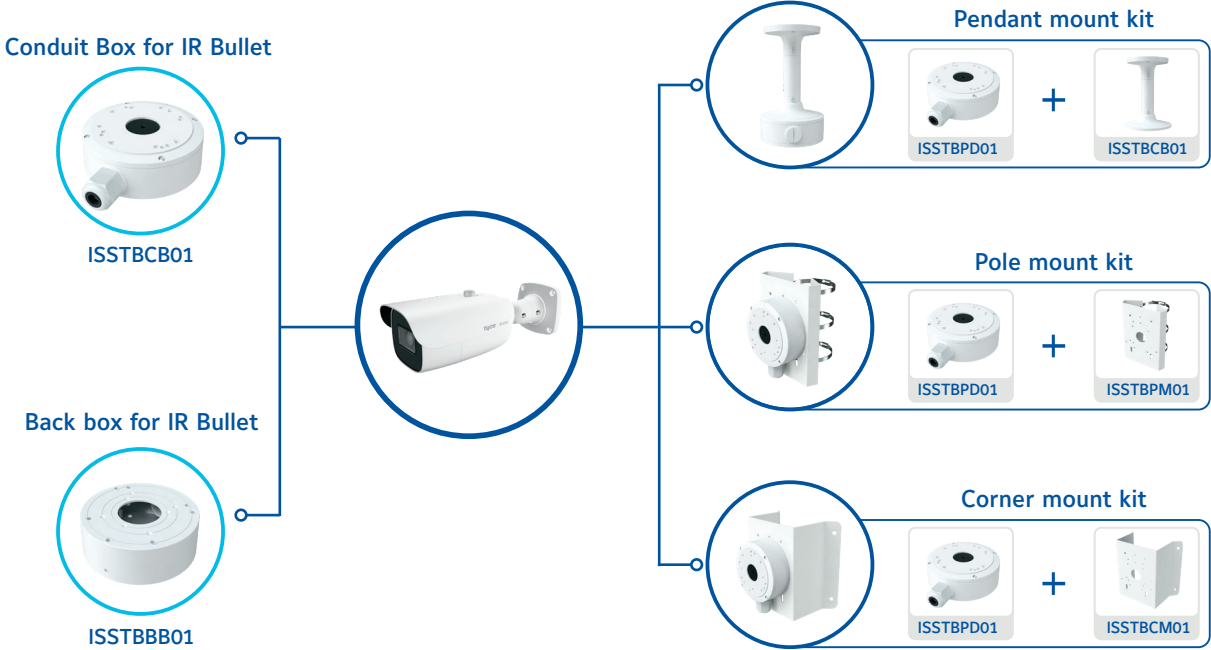
Sub Stream	60Hz:720P/D1/CIF /480×240 (1~30fps) 50Hz:720P/D1/CIF/480×240 (1~25fps)
Third Stream	60Hz : D1 (1 ~ 30fps) / 480x240 (1 ~ 30fps) / CIF (1 ~ 30fps) 50Hz : D1 (1 ~ 25fps) / 480x240 (1 ~ 25fps) / CIF (1 ~ 25fps)
Smart Codec	ROI, 3 zones
Bitrate Control	VBR / CBR
Quality Control	Five levels under VBR; Freely adjustable under CBR
Image Setting	ROI, Saturation, Brightness, Chroma, Contrast, Wide Dynamic, Sharpen, NR,etc.
Audio	
Audio Communication	Bi-directional audio (2-way)
Audio Compression Format	G711A/U
Audio Bit Rate	128Kbps
Operational	
Day & Night	IR cut filter with auto switch
Backlight Compensation	Yes
Wide Dynamic Range	True WDR, 120dB
IR Distance	Up to 70M
Digital Noise Reduction	2D/3D DNR
Digital Zoom	Yes
Defog	Yes
Corridor Pattern	Yes
Flip / Mirror	Yes
Video Privacy	4 zones video mask
Video analítico inteligente	Perimeter Protection: Line crossing, region Entering/ Exiting/Intrusion (human/motor vehicle/ non-motor vehicle classification) Target Counting: Line crossing human/motor vehicle/ non-motor vehicle counting Exception Detection: Scene change, video blur and video color cast detection Face Detection: Face detection and face capture
Alarm Triggers	Alarm input, Motion detection, Intelligent video analytics, Network disconnect
Edge Storage	Built-in micro SD card slot, up to 128GB
Backfilling	Yes
Network	
Network Protocol	TCP / IP, UDP, DHCP, NTP, RTSP, PPPoE, DDNS, SMTP, FTP, SNMP, UPnP, Unicast, Multicast
Cyber Security	HTTPS / IP Filter / IEEE 802.1X /Blacklist & whitelist/ account security/telnet access control/serial password
Online Connection	Support simultaneous monitoring for up to 10 users; Support multi-stream real time transmission
Remote Monitoring	Webviewer browsing, ExacqVision, victor
API	ONVIF (Profile S/G), iAPI3
Interface	
Network	RJ45
Audio	Line IN × 1, Line OUT × 1
Video Output	CVBS video output (BNC × 1)
Onboard Storage	Built-in micro SD/SDHC/SDXC slot
RS485	NONE
Alarm	Alarm 1 in / 1 out
Hardware Reset	Support
Environmental	
Operating Temperature	- 30 °C ~ 60 °C
Operating Humidity	10 % ~ 90 % relative humidity
Ingress Protection	IP67
Vandal Resistance	IK10
General	
Power Supply	DC12V / PoE
Power Consumption	<12 W
Dimensions (mm)	278.7 × 95.9 × 94.4
Material	Metals
Weight	≈1.15 kg

Certification	Part 15.107, EN 55032:2015, EN 55035:2017 Part 15.109, UL 62368-1
Warranty	3 years

Dimension



Accessories



Ordering Information

Module	Description
ISV-B05M023S-N	H.265 5MP Motorized V/F IR Bullet N/W Camera, 2.8-12mm, 70M IR, Micro SD, DC12V/PoE, IP67/IK10, Smart IVA
ISSTBCB01	Conduit Box for IR Bullet
ISSTBBB01	Backbox for IR Bullet
ISSTBPD01	Pendant mount for IR Bullet (use with ISSTBCB01)
ISSTBPM01	Pole mount for IR Bullet (use with ISSTBCB01)
ISSTBCM01	Corner mount for IR Bullet (use with ISSTBCB01)

About Johnson Controls

At Johnson Controls (NYSE:JCI), we transform the environments where people live, work, learn and play. As the global leader in smart, healthy and sustainable buildings, our mission is to reimagine the performance of buildings to serve people, places and the planet.

Building on a proud history of nearly 140 years of innovation, we deliver the blueprint of the future for industries such as healthcare, schools, data centers, airports, stadiums, manufacturing and beyond through OpenBlue, our comprehensive digital offering.

Today, with a global team of 100,000 experts in more than 150 countries, Johnson Controls offers the world's largest portfolio of building technology and software as well as service solutions from some of the most trusted names in the industry.

Visit www.johnsoncontrols.com for more information and follow [@Johnson Controls](#) on social platforms.

© 2023 Johnson Controls. All rights reserved. Product offerings and specifications are subject to change without notice. Actual products may vary from photos. Not all products include all features. Availability varies by region; contact your sales representative.

IL1211-DS-202307-R04-HS-EN

Illustra

