



Quick Reference Guide

Illustra Pro PTZ Outdoor Housing

Notice

The information in this manual was current when published. The manufacturer reserves the right to revise and improve its products. All specifications are therefore subject to change without notice.

Copyright

Under copyright laws, the contents of this manual may not be copied, photocopied, reproduced, translated or reduced to any electronic medium or machine-readable form, in whole or in part, without prior written consent of Tyco Security Products © 2015 and its Respective Companies. All Rights Reserved.

Tyco Security Products
6600 Congress Avenue
Boca Raton, FL 33487 U.S.A.

Customer Service

Thank you for using Tyco Security Products. We support our products through an extensive worldwide network of dealers. The dealer through whom you originally purchased this product is your point of contact if you need service or support. Our dealers are empowered to provide the very best in customer service and support. Dealers should contact Tyco Security Products at (800) 507-6268 or (561) 912-6259 or on the Web at www.illustracameras.com.

Trademarks

The trademarks, logos, and service marks displayed on this document are registered in the United States [or other countries]. Any misuse of the trademarks is strictly prohibited and Tyco Security Products will aggressively enforce its intellectual property rights to the fullest extent of the law, including pursuit of criminal prosecution wherever necessary. All trademarks not owned by Tyco Security Products are the property of their respective owners, and are used with permission or allowed under applicable laws.

Product offerings and specifications are subject to change without notice. Actual products may vary from photos. Not all products include all features. Availability varies by region; contact your sales representative.

License Information

Your use of this product is governed by certain terms and conditions. Please see the detailed license information at the end of this manual.

Table of Contents

Illustra Pro PTZ Outdoor Housing

| | |
|-----------------------------------------|----|
| To the Installer | 1 |
| What's in the box | 1 |
| Standard Items | 1 |
| Feature Plus Version | 1 |
| Additional Supplies (not in box) | 2 |
| Tools Required | 2 |
| Installing the Outdoor Housing | 3 |
| Specifications | 15 |
| Mechanical Details and Dimensions | 15 |

Illustra Pro PTZ Outdoor Housing

To the Installer

This guide assumes that the outdoor mounting structure to which the housing is attached is in place and that data and power cables have been pulled to the installation site.

For the purpose of this guide we are installing the Illustra Pro PTZ camera to an EndCap Mount (ROENDC).



-
1. The installation shall be performed by a qualified person in accordance to all local regulations.
 2. This equipment requires the use of an NEC class 2 or Certified Limited Power Source (LPS).
-

What's in the box

Standard Items

- Quick Reference Guide
- Illustra Pro PTZ Camera CD
- Illustra Pro PTZ Outdoor Camera Assembly
- Illustra Pro PTZ Outdoor Bubble Assembly (in separate box)
- Pendant Adapter
- Threaded Adapter
- Lock Nut
- External Safety Lanyard
- Lanyard Lock and Release Pin
- Tamperproof Torx Wrench
- HEX L-Key Tool
- Weather proof Ethernet Connector
- Power Cable
- Desiccant bag and clip

Feature Plus Version

- Alarm Cable
- Audio Cable
- Breakout Box Assembly

Additional Supplies (not in box)

ADSPOT - Power Supply, one output, 120/240 VAC to 24 VAC

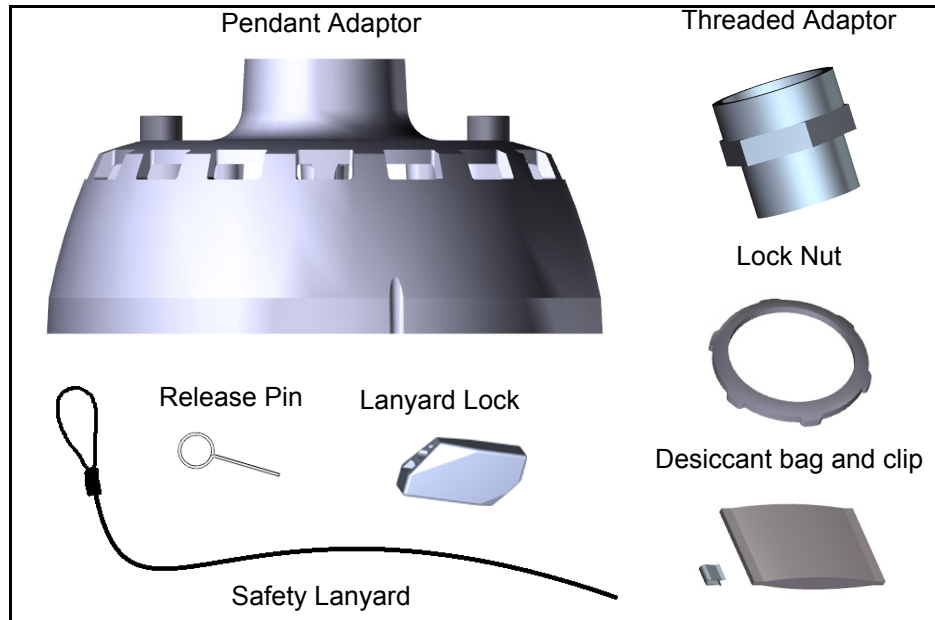
Tools Required

- 6.6mm (1/4in) fixed-handle nut driver for Torx bit
- Wire cutters and strippers
- 2.5mm (0.1in) slotted screwdriver

Installing the Outdoor Housing

The following describes the installation procedure for the Illustra Pro PTZ Outdoor Camera Housing.

- 1 Remove the pendant adaptor, threaded adaptor, lock nut, external safety lanyard and lanyard lock from the packaging.



Note

The threaded adaptor and lock nut will be required for mounting options that use the EndCap Mount (ROENDC).

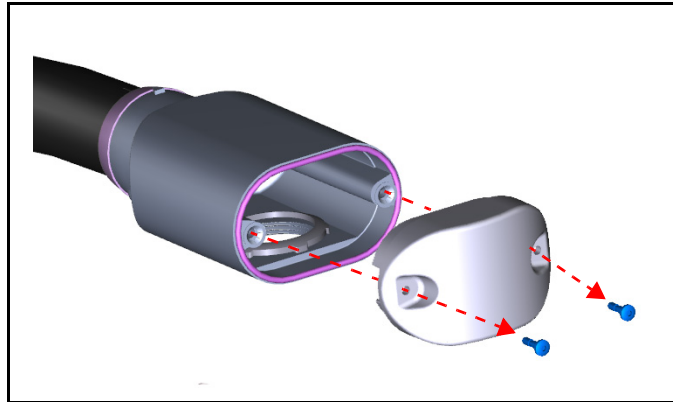
- 2 Cut a 30cm (12in) length of teflon tape.
- 3 Apply the teflon tape to the threads on both ends of the threaded adaptor.
- 4 Attach the threaded adaptor to the pendant adaptor and tighten to secure.
- 5 Attaching to the EndCap Mount (ROENDC):



If the Illustra Pro PTZ Outdoor Housing is being attached to an existing mount it is essential that the EndCap (ROENDC) is replaced. Please contact your Tyco Security Products Sales Representative for further information.

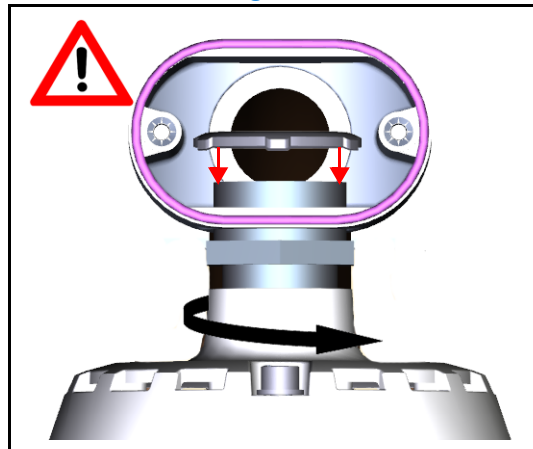
- a Remove the access cover from the EndCap mount as seen in Figure 1.

Figure 1



- b Align the pendant adapter with the EndCap and rotate clockwise until approximately 6mm of the threaded adaptor is visible inside the EndCap.
- c Attach the lock nut to the threaded adaptor and hold while rotating the pendant cap until secure as seen in Figure 2.

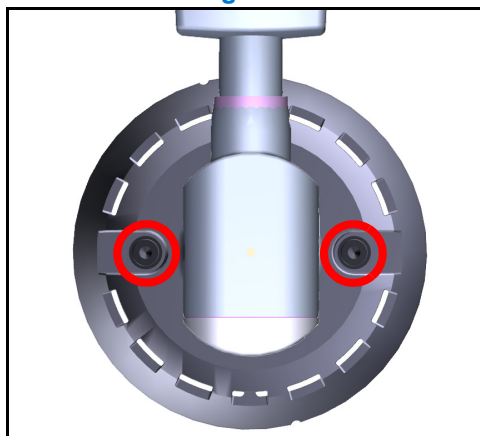
Figure 2



Note

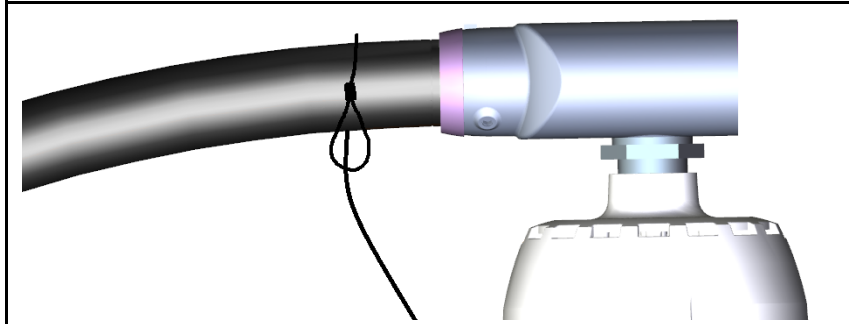
When securing the pendant adapter ensure that the two M8 screws can be easily accessed. This can be seen in Figure 3.

Figure 3



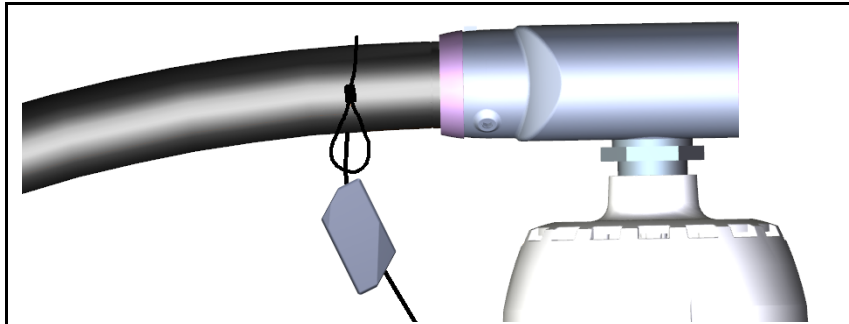
- 6 Attach the External Safety Lanyard:
- a Wrap the safety lanyard around the pipe and thread end through the loop as seen in Figure 4.

Figure 4



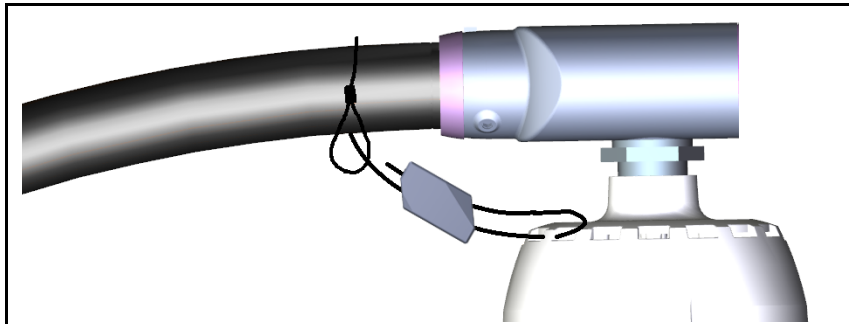
- b Attach the lanyard lock by threading the end of the safety lanyard through the hole in the lanyard lock as seen in Figure 5.

Figure 5



- c Feed the end of safety lanyard through vent slots on the pendant adaptor and back through the lanyard lock as seen in Figure 6.

Figure 6



- d Pull the excess safety lanyard through the lanyard lock to remove the slack.

Note

To remove the lanyard lock, insert the supplied release pin into the pin hole at either end of the lanyard lock and pull to release the cable.

- 7 Route the supplied cable ends through the EndCap mount and through the pendant adaptor. We recommend that you form an external loop with the cables and then feed them through the pendant adaptor as seen in Figure 7, this allows freedom of movement

in the cables when attaching the outdoor housing in later steps.



If audio cables are to be extended beyond 30m in length, they must be shielded.

Note

For ease of installation the power, alarm and audio cables should be routed through first, followed by the Ethernet cable.

Figure 7

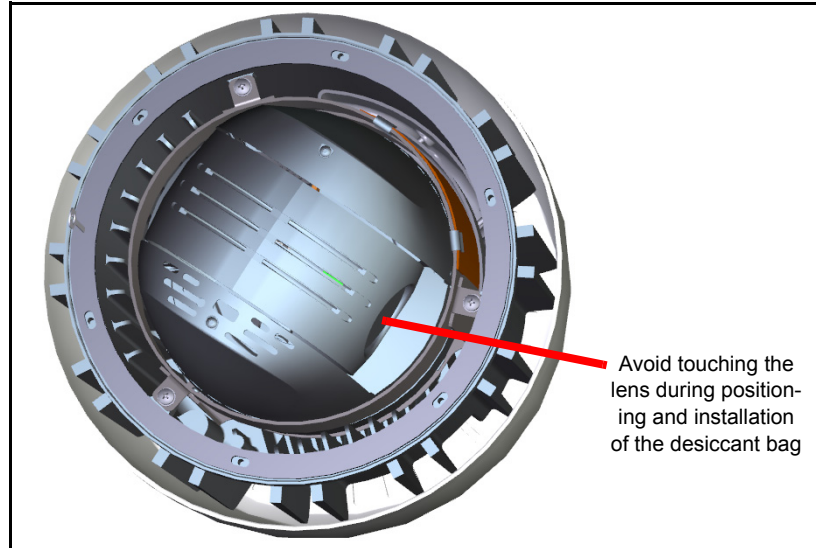


- 8** Terminate the network cable using the supplied weather proof Ethernet connector.
- 9** Remove the outdoor camera housing from the packaging.
- 10** Insert desiccant bag:
 - a** Rotate the camera to the position shown in Figure 8, this will allow for space while inserting the desiccant bag.

Note

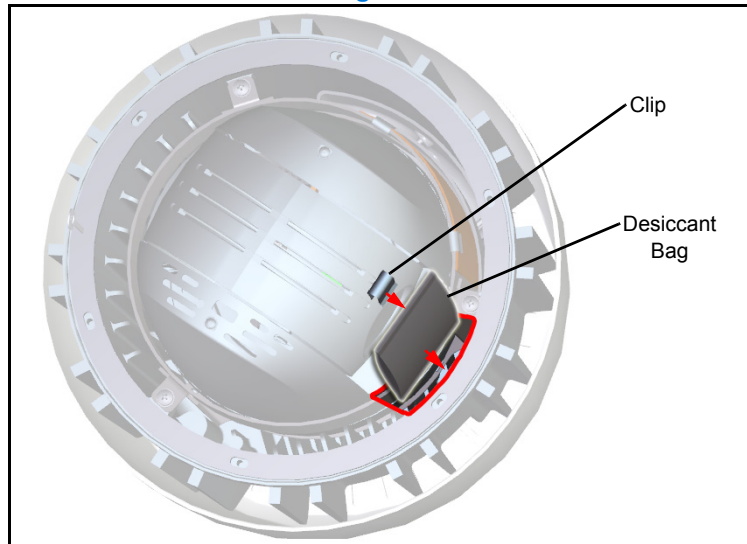
Avoid touching the lens during positioning and installation of the desiccant bag.

Figure 8



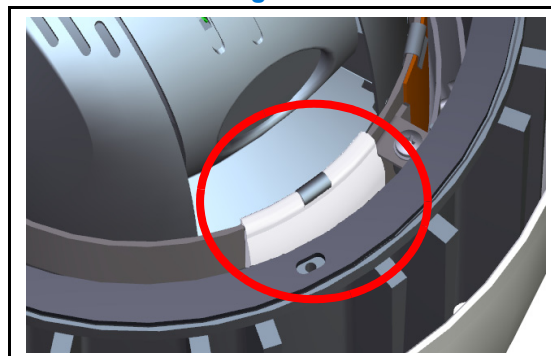
- b Insert the desiccant bag in the space between the camera mounting bracket and the inside surface of the housing as seen in Figure 9.

Figure 9



- c Fold the top edge of the desiccant bag over the camera mounting bracket and secure with the clip as seen in Figure 10.

Figure 10



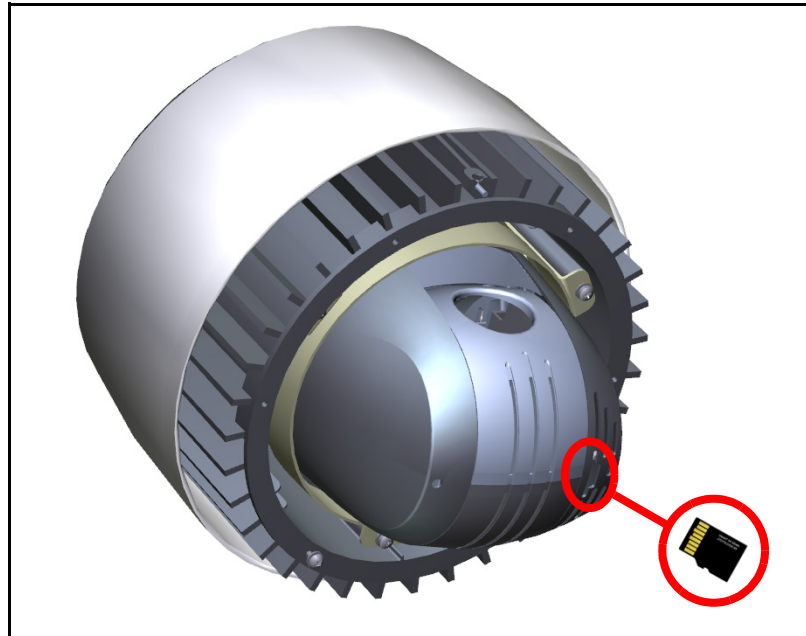
- 11** If required, a microSD memory card can be installed in the dome:

Note

The microSD card is an optional accessory and is not supplied with the dome. The maximum size of microSD card that can be used with the dome is 32GB. Contact your Tyco Security Products representative for further information.

- a** Align the microSD card with the memory card slot in the dome as shown, the gold-colored contacts should face towards the camera lens as seen in Figure 11.

Figure 11



Note

Push the microSD card into the memory card slot until it locks into position. To remove the microSD card push the card gently until it disengages from the dome. Remove the microSD card.

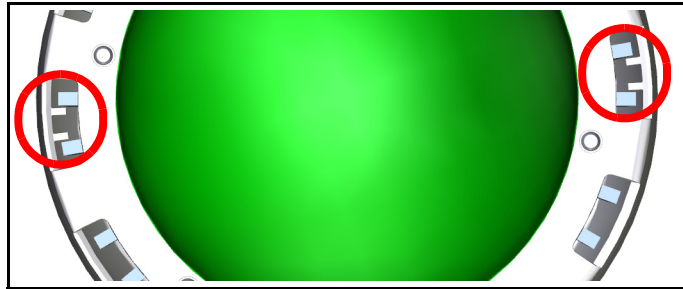
- 12** Attach the bubble assembly:
- a** Remove the bubble assembly from the packaging.
 - b** Attach the plastic lanyard on the housing to the screw on the inside of the trim ring of the bubble assembly.
 - c** It may be necessary to orientate the plastic lanyard to the position shown in Figure 12. This will ensure that the plastic lanyard does not become trapped between the bubble assembly and the camera housing and will aid with alignment.

Figure 12



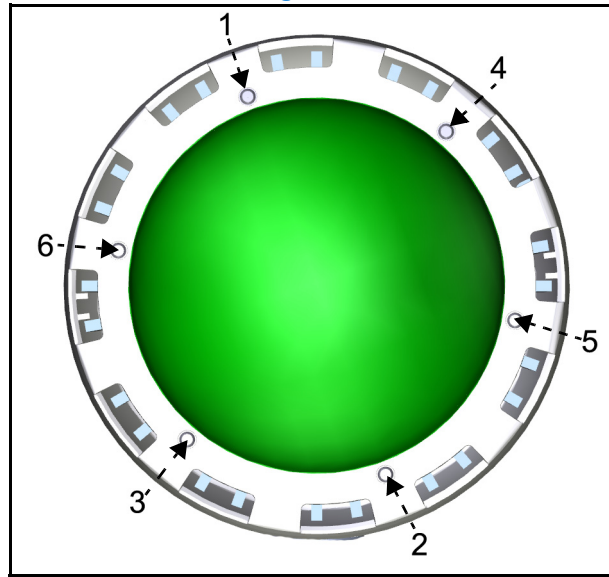
- d Align the bubble assembly with the holes on the outdoor housing flange. The location ribs on the trim ring will fit between the fins on the outside of the housing as seen in Figure 13.

Figure 13



- e Loosely tighten the six M4 screws using the tamperproof torx wrench in the sequence shown in Figure 14.

Figure 14



- f Repeat the process and securely tighten each screw using the tamperproof torx wrench in the sequence shown in Figure 14.

Note

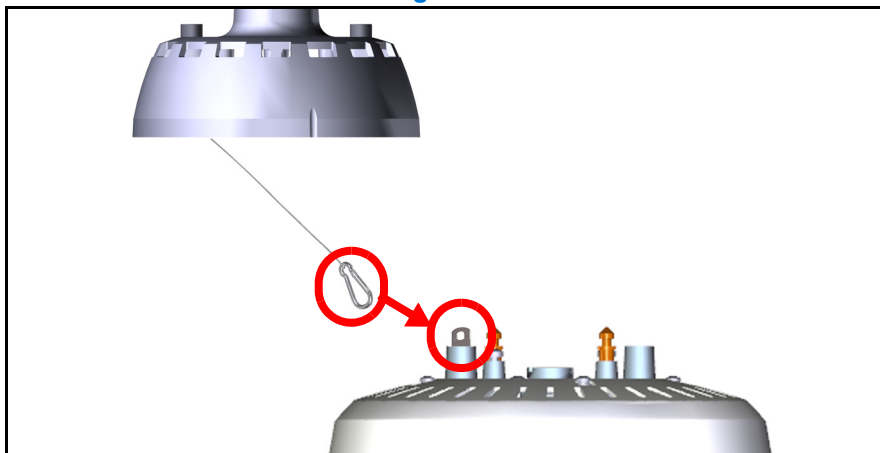
Do not overtighten the screws as they may damage the trim ring assembly.

- 13 Attach the clip on the safety lanyard in the pendant adaptor to the L hook on base of the outdoor camera housing as seen in Figure 15.



Ensure that the clip is securely attached.

Figure 15

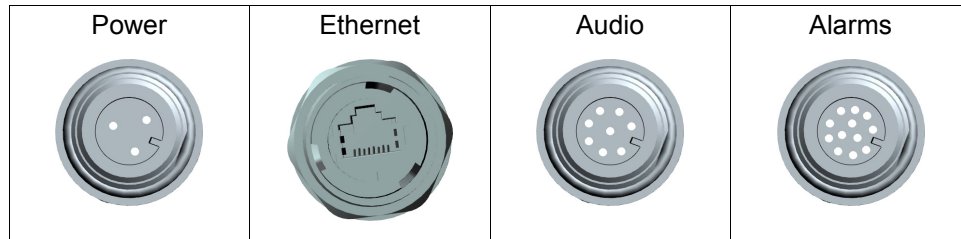


* The cables have been removed from drawing for clarity

- 14** Connect the cables to the outdoor camera housing:

Note

- 1 The alarms and audio ports are only available on the Feature Plus version of the Illustra Pro PTZ Outdoor Housing, these ports will have watertight covers on all other versions.
- 2 For ease of installation connect power, alarm and audio cables before connecting the Ethernet cable.



- a When connecting power, audio and alarm cables, align the rib on the plug (end of cable) with the corresponding notch on the receptacle (base of housing).

Insert the plug and rotate the collar clockwise to secure.

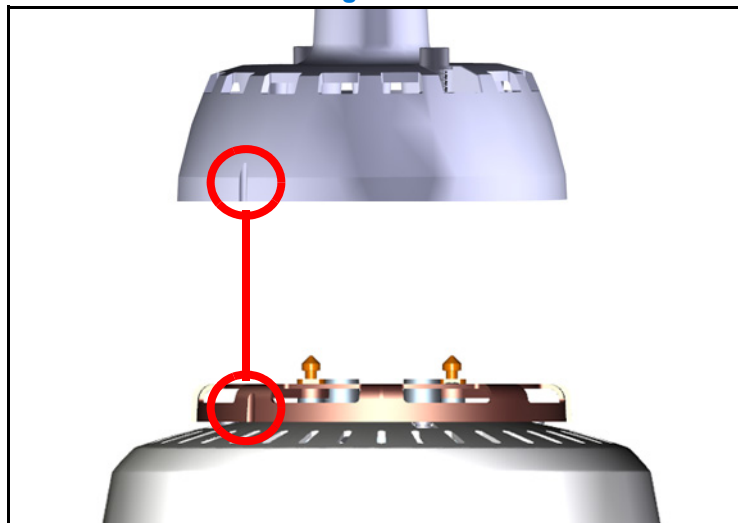
- b When connecting the Ethernet cable plug in RJ45 connector.

Rotate the outer collar to secure.

- 15** Push excess cable the through pendant adaptor into the end cap.

- 16** Align the notch on the outdoor camera housing with the corresponding notch on the pendant adaptor as seen in Figure 16.

Figure 16



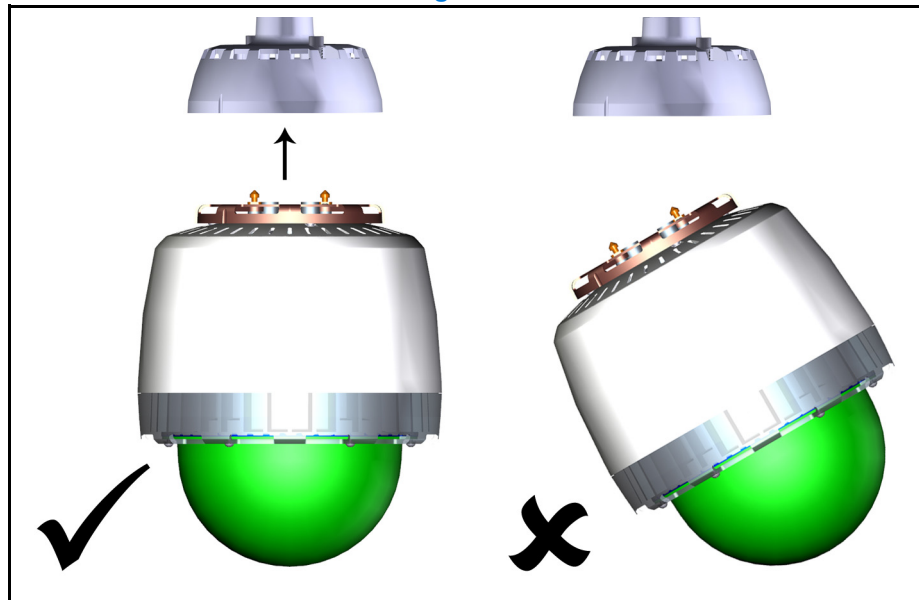
* The cables have been removed from drawing for clarity

- 17 Using both hands to provide even pressure insert the outdoor camera housing into the pendant adapter until in the home position.

Note

Do not angle the outdoor camera housing when inserting it into the pendant adapter. If the outdoor camera housing is inserted at an angle the bayonet lock pins will not fully engage. Reference Figure 17.

Figure 17



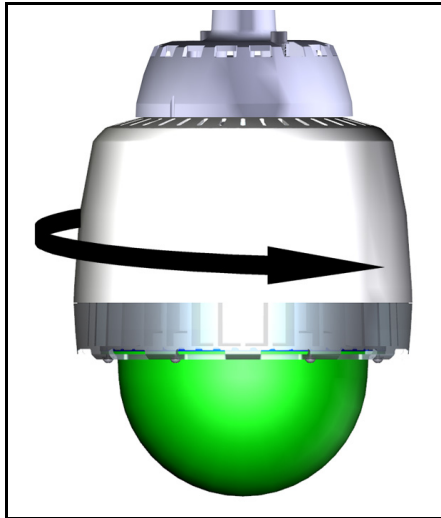
* Cables have been removed from drawing for clarity

- 18 Maintain upward pressure and rotate the camera housing clockwise to lock into position as seen in Figure 18.



Ensure that both bayonet lock pins are fully engaged before removing your hands from the outdoor camera housing.

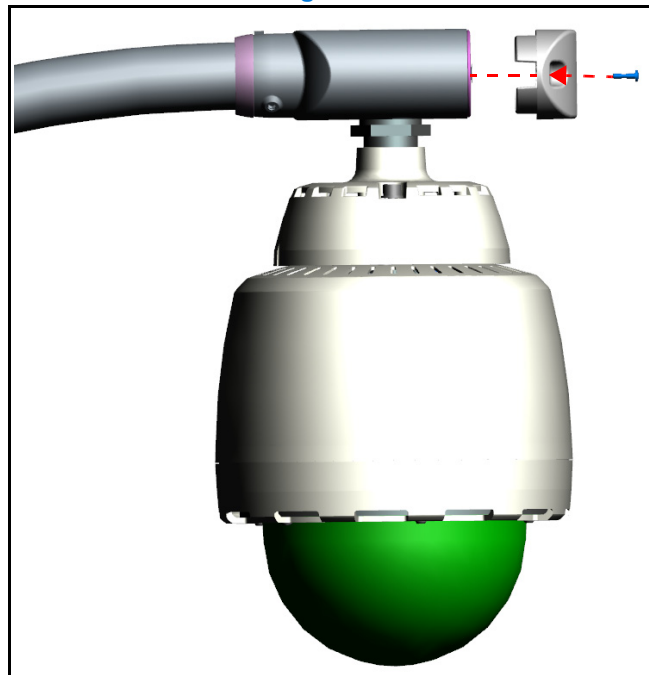
Figure 18



The camera housing is now supported.

- 19** Tighten the two M8 screws highlighted in Figure 3 in the pendant adapter using the HEX L-Key Tool, to fully secure the outdoor camera housing.
- 20** Push any excess cable into the EndCap and replace the access cover as seen in Figure 19.

Figure 19



- 21** Terminate the power cable using the ADSPOT (recommended) power supply. Refer to 8200-2573-29 ADSPOT Single-Position Outdoor Transformer Installation Guide for details on connecting the cables.

If you are using another power source please refer to the documentation supplied with the unit.

| 3 Wire AC Supply | Color |
|-------------------------|--------------|
| 24Vac | Black |
| - | Yellow/Green |
| 24Vac | Black |

Note

When using the ADSPOT power supply, ensure that the center tap jumper on the secondary side between 12v and GND has been removed.

- 22** Terminate the alarms and audio cables using the Breakout Box. Refer to 8200-0999-05xx A0 Breakout Box Quick Reference Guide for details on connecting the cables.

Specifications

Electrical (combined dome and housing)

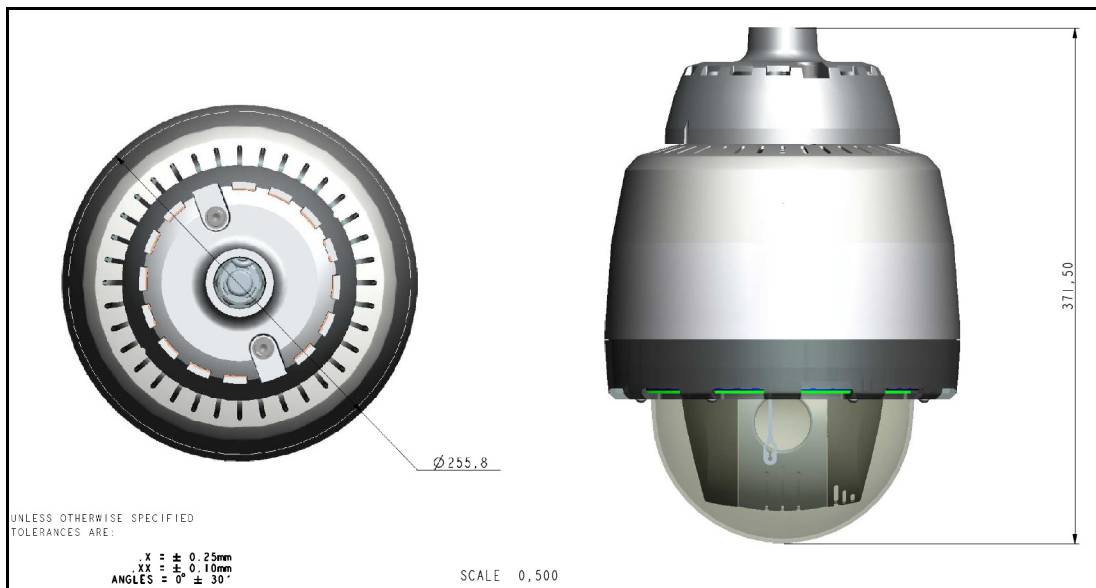
- Input Voltage 22 to 30Vac, 50/60 Hz
NEC Class 2/Certified Limited Power Source
Maximum operation current 2.5A. Certified Limited Power Source

Environmental

- Operating Temperature -40°C to 50°C
(-40°F to 122°F)
- Relative Humidity 0 to 95% non-condensing
- Storage Temperature -10°C to 50°C
(14°F to 122°F)
- Wind loading Sustained winds of 240Km/hour (150 miles/hour) when properly installed and mounted
- Enclosure rating IP66 / NEMA 4
- Suitable for altitudes <3200m

Mechanical Details and Dimensions

Dimensions are in mm



Weight Fully Assembled: 6.45Kg (14.22lbs)

Note

Fully assembled weight is the total weight attached to the mount, this includes the pendant adapter assembly.

Housing: 2.09Kg (4.61lbs)

Camera: 1.85Kg (4.08lbs)

