



Quick Reference Guide

Illustra Pro PTZ Recessed Indoor Flush Mount Housing

Notice

The information in this manual was current when published. The manufacturer reserves the right to revise and improve its products. All specifications are therefore subject to change without notice.

Copyright

Under copyright laws, the contents of this manual may not be copied, photocopied, reproduced, translated or reduced to any electronic medium or machine-readable form, in whole or in part, without prior written consent of Tyco Security Products © 2015 and its Respective Companies. All Rights Reserved.

Tyco Security Products
6600 Congress Avenue
Boca Raton, FL 33487 U.S.A.

Customer Service

Thank you for using Tyco Security Products. We support our products through an extensive worldwide network of dealers. The dealer through whom you originally purchased this product is your point of contact if you need service or support. Our dealers are empowered to provide the very best in customer service and support. Dealers should contact Tyco Security Products at (800) 507-6268 or (561) 912-6259 or on the Web at www.illustracameras.com.

Trademarks

The trademarks, logos, and service marks displayed on this document are registered in the United States [or other countries]. Any misuse of the trademarks is strictly prohibited and Tyco Security Products will aggressively enforce its intellectual property rights to the fullest extent of the law, including pursuit of criminal prosecution wherever necessary. All trademarks not owned by Tyco Security Products are the property of their respective owners, and are used with permission or allowed under applicable laws.

Product offerings and specifications are subject to change without notice. Actual products may vary from photos. Not all products include all features. Availability varies by region; contact your sales representative.

License Information

Your use of this product is governed by certain terms and conditions. Please see the detailed license information at the end of this manual.

Table of Contents

Illustra Pro PTZ Recessed Indoor Flush Mount Housing

To the Installer	1
What's in the box	1
Standard Items	1
Mounting Requirements	1
Tools Required	1
Installing the Illustra Pro PTZ Recessed Indoor Flush Mount Housing	2
Specifications	13
Mechanical Details and Dimensions	13

Illustra Pro PTZ Recessed Indoor Flush Mount Housing

To the Installer

This guide assumes that the indoor mounting structure to which the housing is attached is in place and that data and power cables have been pulled to the installation site.



-
1. The installation shall be performed by a qualified person in accordance to all local regulations.
 2. External power source must be a NEC class 2 / Certified Limited Power Source (LPS)
-

What's in the box

Standard Items

- Recessed Indoor Flush Mount Housing including Camera Mounting Spider
- Quick Reference Guide
- Safety Wire
- Cable Tie
- Cutout Template

Mounting Requirements

- Height above ceiling: 170mm (6.7in)
- Diameter: 192mm (7.5in)
- Structural members: Verify that ceiling members can support the camera dome and mounting structure, if used.
- Weight Fully Assembled: 3.5Kg

Tools Required

- 6.6mm (1/4in) fixed-handle nut driver for Torx bit
- Wire cutters and strippers
- 2.5mm (0.1in) slotted screwdriver
- Power Drill

Installing the Illustra Pro PTZ Recessed Indoor Flush Mount Housing

The following describes the installation procedure for the Illustra Pro PTZ Recessed Indoor Flush Mount Housing.

Step	Action
------	--------

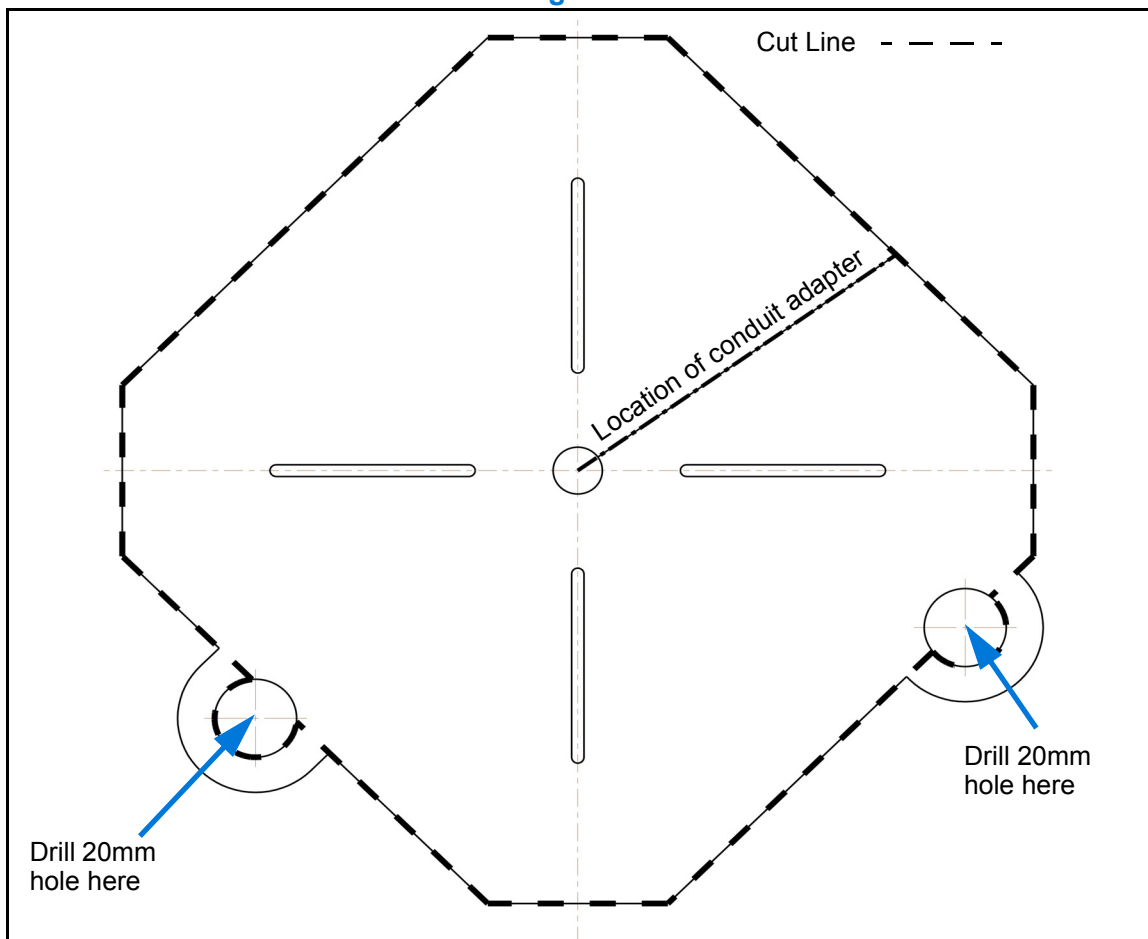
- | | |
|---|---|
| 1 | Remove the recessed indoor flush mount unit from the packaging. |
| 2 | Using the template supplied, as illustrated in Figure 1: <ol style="list-style-type: none">Determine the direction of the cable routing and orientate the template. |

Note

The housing has a conduit adapter, this will determine the orientation of the template.

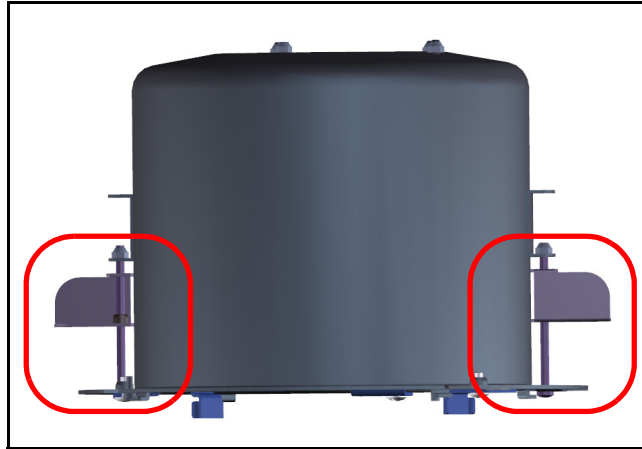
- Drill two 20mm diameter holes in the positions highlighted on the template. See diagram below.
- Use one of the drilled holes for the saw entry and cut around the profile.

Figure 1



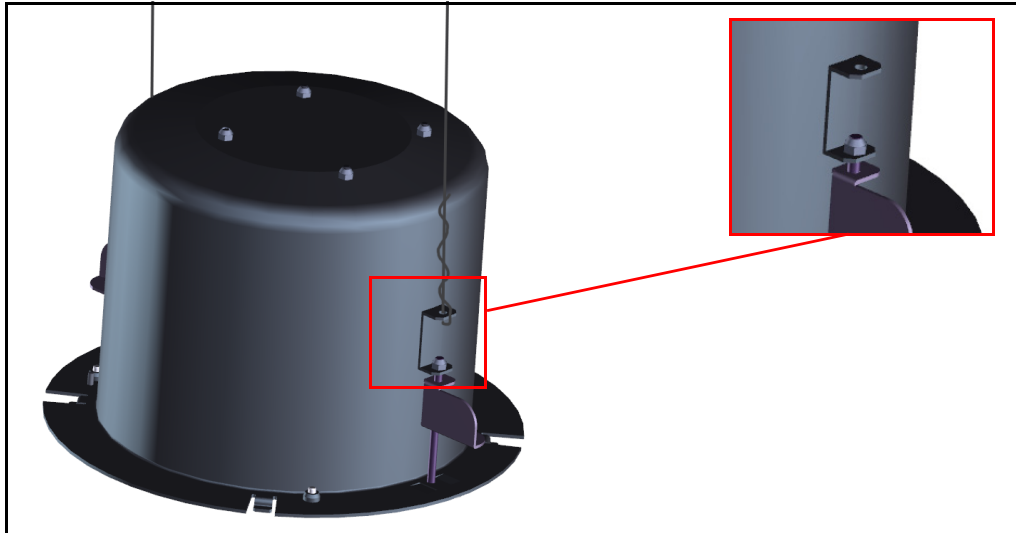
- 3 Adjust the two “swing out” mounting clips for the ceiling thickness as seen in Figure 2.

Figure 2



- 4 Using the two safety wires, attach the housing to a strong structural ceiling member as follows:
- a Find a strong structural member capable of supporting the dome. Wrap one end of the wire around this member and twist the wire around itself four times to secure.
Repeat for the second wire.
 - b Run the other end of the wire through the bracket on the side of the housing. Twist the wire around itself four times to secure. Reference Figure 3.

Figure 3



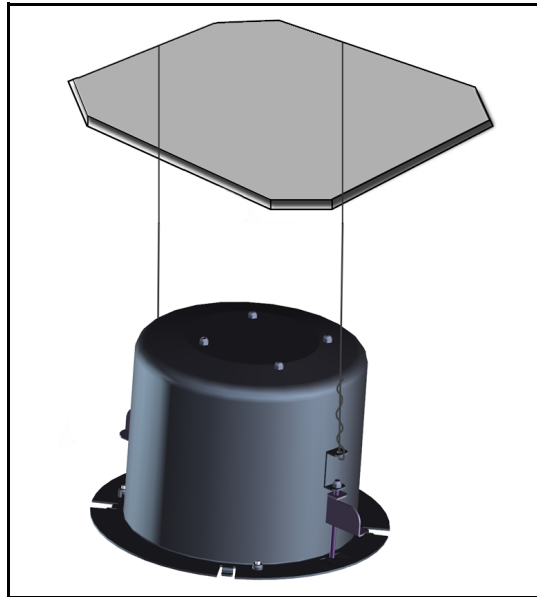
- c Ensure the wire is taut!
Repeat for the second wire.



Keep the wire as taut as possible. Do not secure to any component of a fire control system.

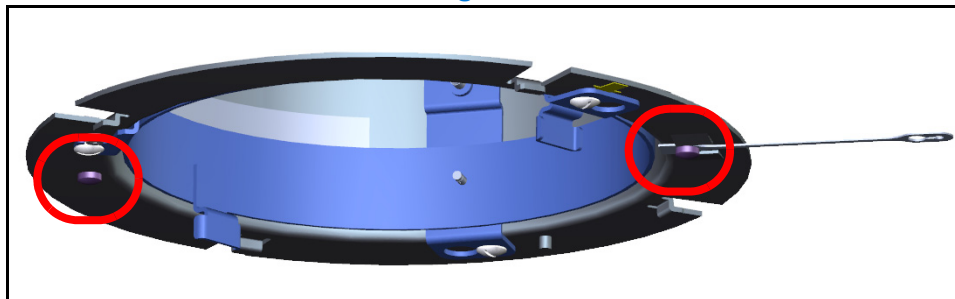
- 5 Secure the housing to the ceiling.
 - a Insert housing in the ceiling cutout. Reference Figure 4.

Figure 4



- b Angle the housing as necessary to ease insertion into the cutout. Ensure that the orientation of the housing is correct with reference to the conduit adapter.
 - c When in place, turn the two locking screws clockwise to seat the “swing out” mounting clips tightly against the ceiling to secure as seen in Figure 5.

Figure 5



- 6 Remove the camera mounting spider from the housing.

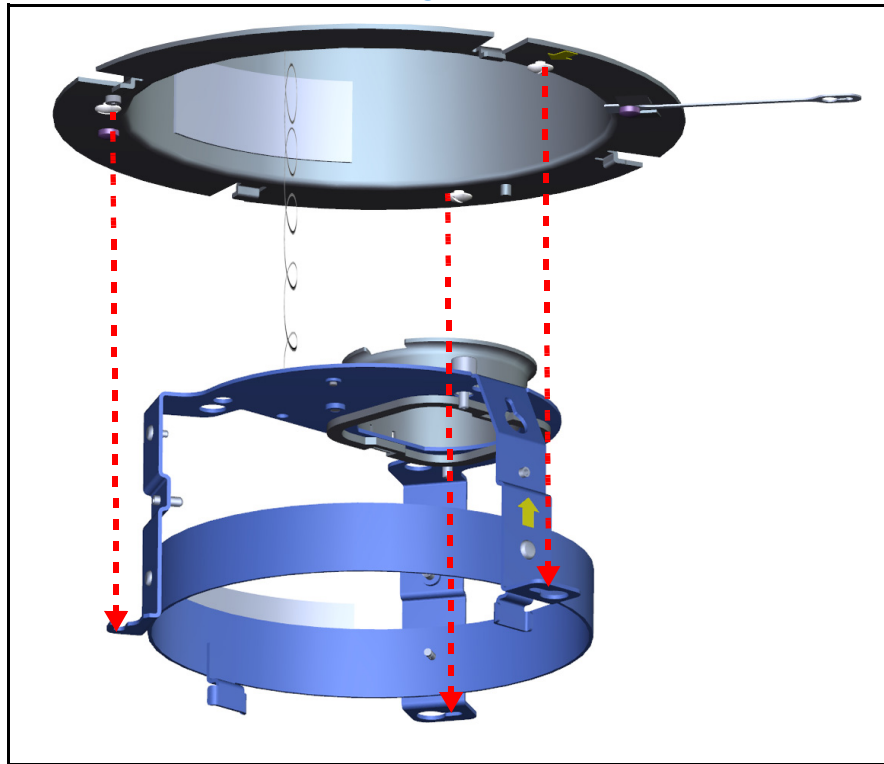


The safety lanyard will keep the camera mounting spider attached to the housing and should not be removed.

- a Rotate the camera mounting spider anti-clockwise to release it from the screws on the housing flange.

- b Pull the camera mounting spider down to remove it from the outdoor recessed housing as seen in Figure 6.

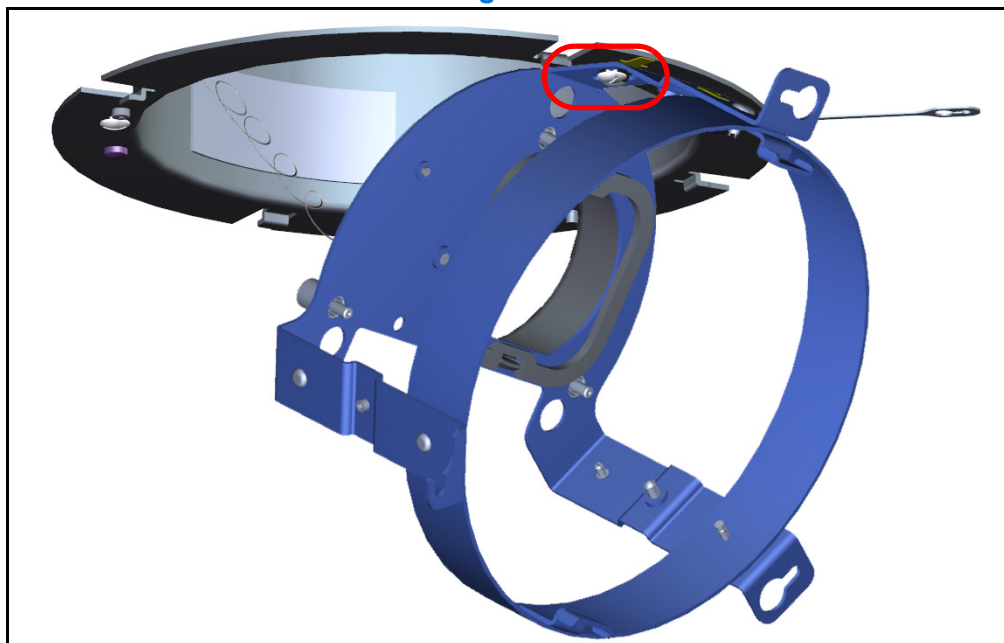
Figure 6



- 7 To aid installation the camera mounting spider can be connected to the camera housing in the parked position.

- a Attach the keyhole cutout on the angled leg of the camera mounting spider to one of the screws on the housing flange as seen in Figure 7.

Figure 7



- 8 Route site cables into the housing. Reference Figure 8.



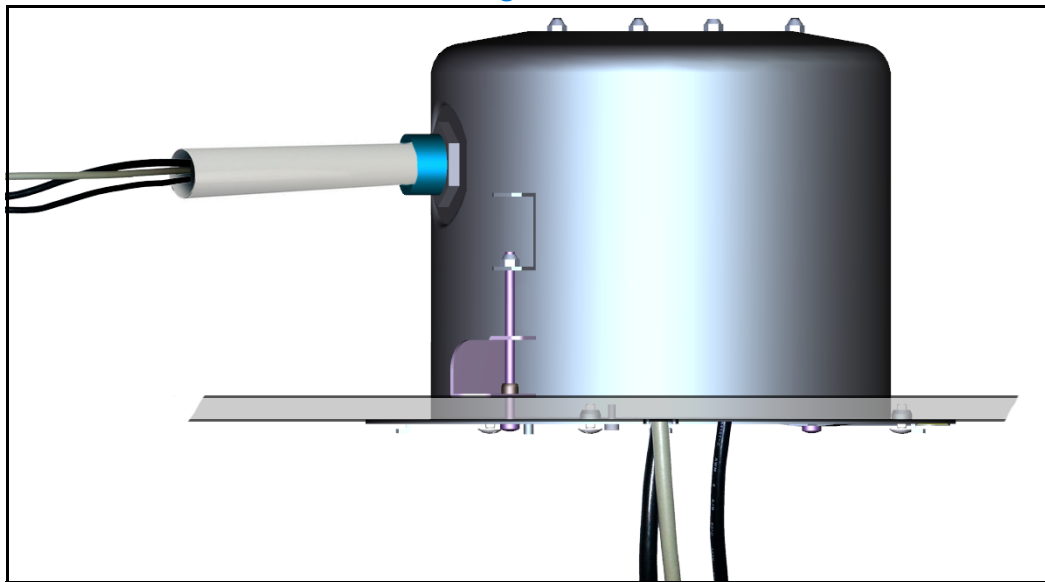
The Audio Output and Microphone cables shall be shielded and shall not be longer than 30m.

- a Route power and data cables through the adapter.

Note

Electrical conduit and conduit adaptor are not supplied with the housing.

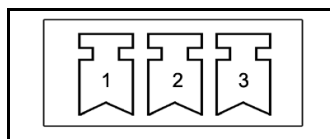
Figure 8



- 9 Terminate the power and data wires using the provided connectors.

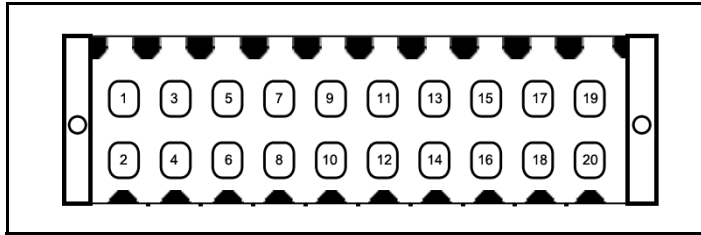
The pin out details for power, alarms and audio are as follows:

Power AC/DC



Pin#	3 Wire DC Supply
1	24Vac/24Vdc
2	-
3	24Vac/Vdc

Alarm and Audio (Available on Feature Plus models) only)



Pin#	Designation
1	Relay NO (Normally Open)
2	Relay C (Common)
3	Relay NC (Normally Closed)
4	GND
5	-
6	-
7	GND
8	GND
9	-
10	-

Pin#	Designation
11	Alarm IN #1 (Active Low)
12	GND
13	Alarm IN #2 (Active Low)
14	Alarm IN #3 (Active Low)
15	MIC BIAS (4.5V 2mA)
16	Alarm IN #4 (Active Low)
17	MIC Input
18	Audio Output
19	Audio GND*
20	Audio GND*

- 10 If required, install a microSD card into the dome memory card slot:

Note

The microSD card is an optional accessory and is not supplied with the dome. The maximum size of microSD card that can be used with the dome is 32GB. Contact your Tyco Security Products representative for further information.

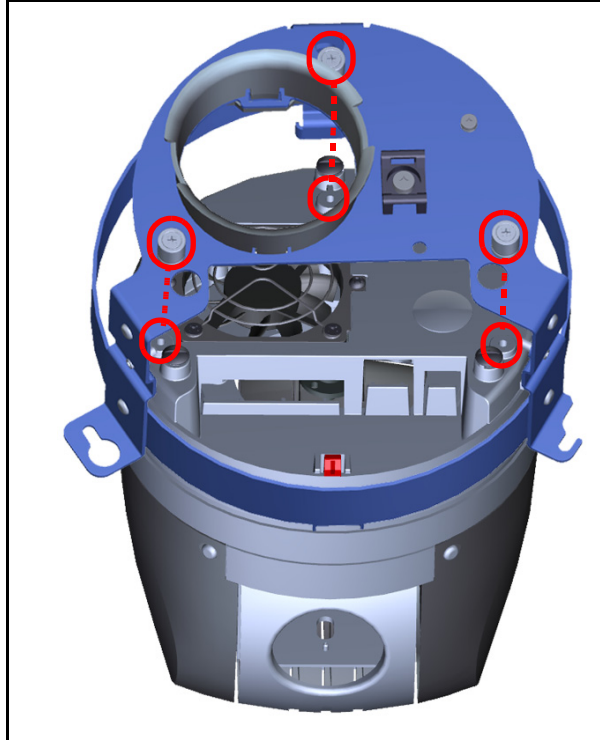
- a Align the microSD card with the memory card slot as shown, the gold-colored contacts should face towards the camera lens as seen in Figure 9.
- b Push the microSD card into the memory card slot until it locks into position.
- c To remove the microSD card push the card gently until it disengages from the dome.
- d Remove the microSD card.

Figure 9



- 11 Attach the camera mounting spider to the Illustra Pro PTZ dome as seen in Figure 10.
 - a Insert the dome into the camera mounting spider and align with the corresponding boss features on the dome base. As a guide, use the straight edge of the camera mounting spider to align with the straight edge of the camera base.

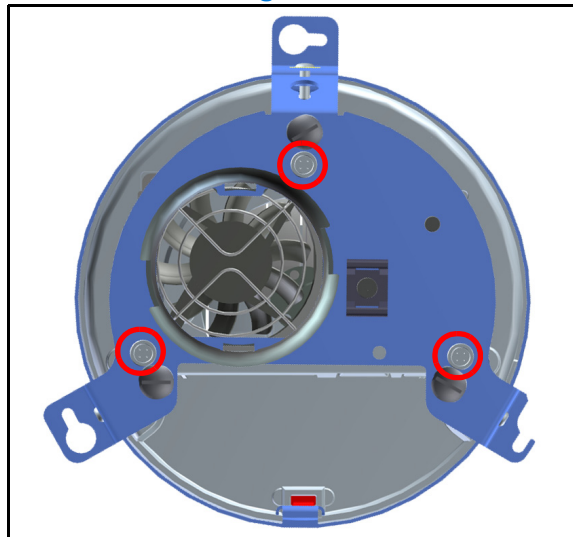
Figure 10



- b Secure the dome to the camera mounting spider by sequentially tightening the three M4 captive screws as seen in Figure 11.

Hereafter the camera mounting spider and dome will be referred to as the dome assembly.

Figure 11



- 12 Connect the cables to the Illustra Pro PTZ dome.

- a Attach the Price+ connector first followed by Ethernet and Power.
- b Secure cables to the cable tie holder on the dome assembly using a cable tie as seen in Figure 12.

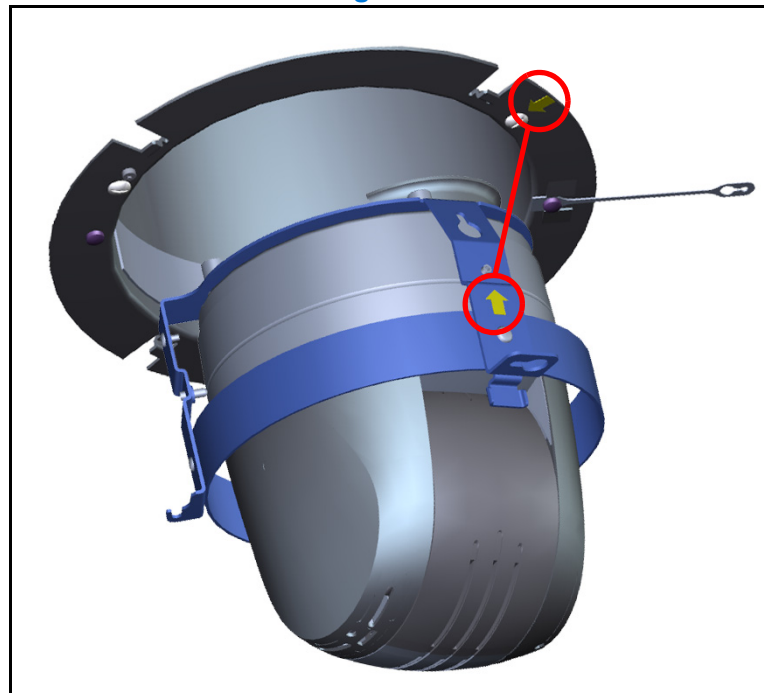
Figure 12



- 13 Insert the dome assembly into the housing:

- a Align the arrow on the dome assembly with the arrow on the housing flange as seen in Figure 13.

Figure 13

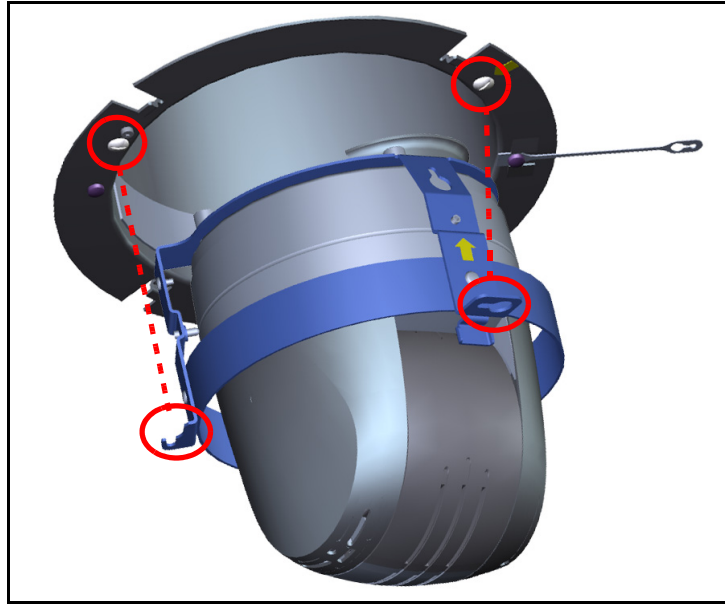


- b Insert the dome assembly into the housing.

Ensure that the three screws on the housing flange align with the corresponding

keyhole cutouts on the dome assembly as seen in Figure 14.

Figure 14



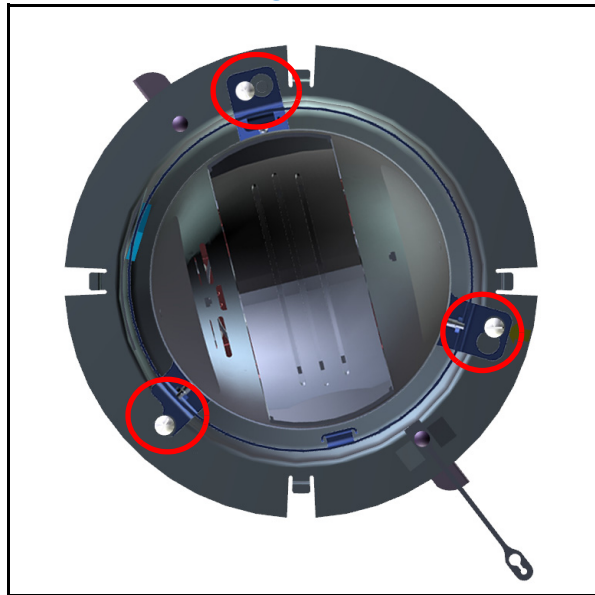
- c Maintain upward pressure and rotate the dome assembly clockwise to lock into position.



Ensure that the screws on the housing flange are fully engaged before removing your hands from the dome assembly.

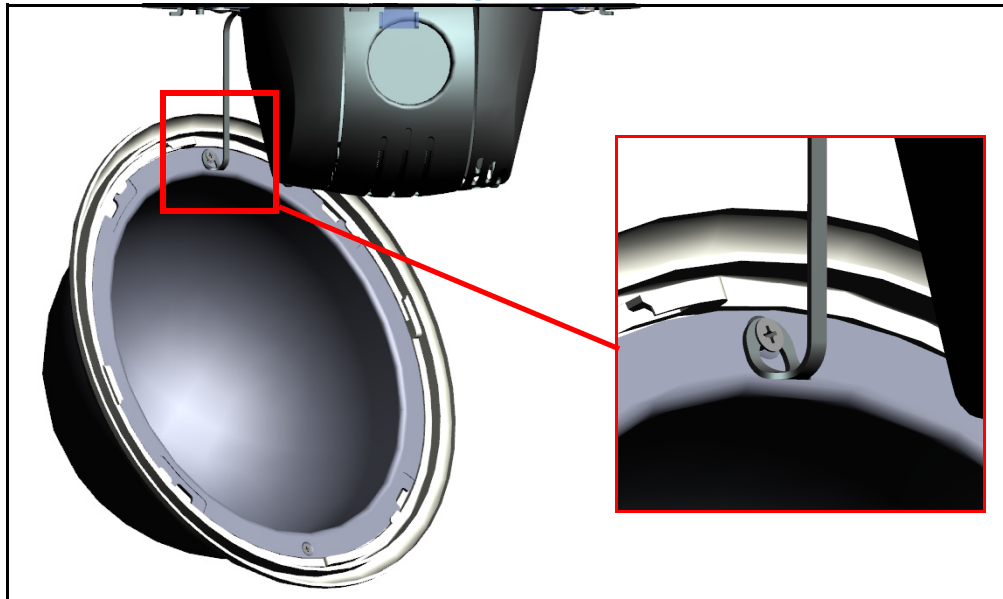
- d Secure the camera mounting spider to the housing by tightening the three screws on the housing flange as seen in Figure 15.

Figure 15



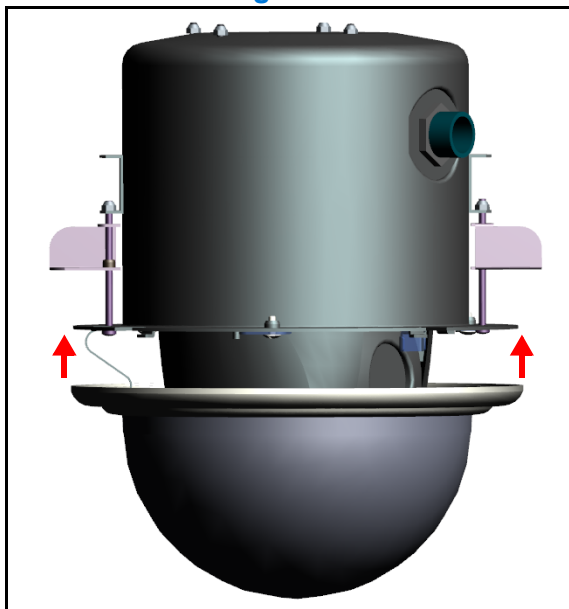
- 14 Remove the bubble assembly from the package and ensure that the bubble is clean and free of debris.
- 15 Attach bubble assembly:
 - a Attach the lanyard on the housing to the trim ring on the bubble assembly as shown in Figure 16.

Figure 16



- b Center the trim ring over the housing and align its locking tabs with the mating tabs in the housing.
- c Offer up the trim ring to the housing ensuring that the lanyard collapses as seen in Figure 17.

Figure 17



- d** Rotate the trim ring clockwise until it catches the tabs and stops. The bubble adaptor is now secure.

Ensure that all four tabs are engaged.

Specifications

PoE

- 802.3at PoE+ 25.5W max

Electrical (combined dome and housing)

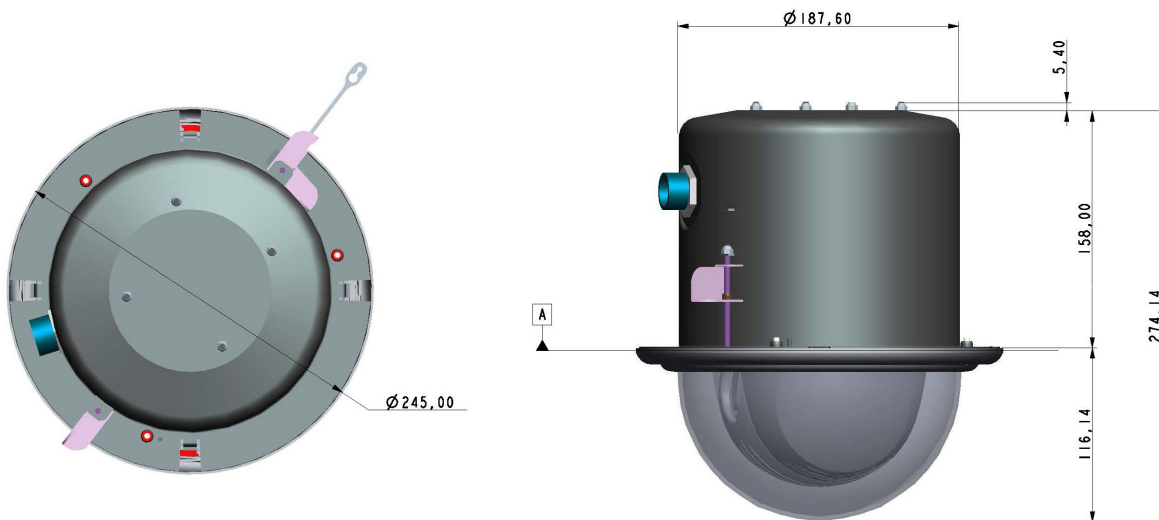
- Input Voltage 22 to 30Vac, 50/60 Hz
NEC Class 2 / Certified Limited Power Source
Maximum operation current 1.4A. RMS

Environmental

- Operating Temperature -10°C to 50°C
(14°F to 122°F)
- Relative Humidity 0 to 95% non-condensing
- Storage Temperature -10°C to 50°C
(14°F to 122°F)

Mechanical Details and Dimensions

Dimensions are in mm



Weight Fully Assembled: 3.5Kg (7.7lbs)

Housing: 1.35Kg (2.98 lbs)

Bubble/Trim Ring Assembly: 0.3kg (0.66lbs)

Camera: 1.85kg (4.09lbs)

