



Quick Reference Guide

Illustra Pro PTZ Surface Mount

Notice

The information in this manual was current when published. The manufacturer reserves the right to revise and improve its products. All specifications are therefore subject to change without notice.

Copyright

Under copyright laws, the contents of this manual may not be copied, photocopied, reproduced, translated or reduced to any electronic medium or machine-readable form, in whole or in part, without prior written consent of Tyco Security Products © 2015 and its Respective Companies. All Rights Reserved.

Tyco Security Products
6600 Congress Avenue
Boca Raton, FL 33487 U.S.A.

Customer Service

Thank you for using Tyco Security Products. We support our products through an extensive worldwide network of dealers. The dealer through whom you originally purchased this product is your point of contact if you need service or support. Our dealers are empowered to provide the very best in customer service and support. Dealers should contact Tyco Security Products at (800) 507-6268 or (561) 912-6259 or on the Web at www.illustracameras.com.

Trademarks

The trademarks, logos, and service marks displayed on this document are registered in the United States [or other countries]. Any misuse of the trademarks is strictly prohibited and Tyco Security Products will aggressively enforce its intellectual property rights to the fullest extent of the law, including pursuit of criminal prosecution wherever necessary. All trademarks not owned by Tyco Security Products are the property of their respective owners, and are used with permission or allowed under applicable laws.

Product offerings and specifications are subject to change without notice. Actual products may vary from photos. Not all products include all features. Availability varies by region; contact your sales representative.

License Information

Your use of this product is governed by certain terms and conditions. Please see the detailed license information at the end of this manual.

Table of Contents

Illustra Pro PTZ Dome

To the Installer	1
What's in the box	1
Standard Items	1
Tools Required	1
Installing the Surface Mounting Base	2
Installing the Illustra Pro PTZ using Alternative Mounts	7
Using the ADCiM6PENDCAPxK Pendant Cap Mount	8
Using the ADCiM6WALLxK Wall Mount	9
Using the ADCiM6FLUSHxx Flush Mount	11
Specifications	13
Mechanical Details and Dimensions	13

Illustra Pro PTZ Dome

To the Installer

This guide assumes that the data and power cables have been pulled to the installation site.



-
1. The installation shall be performed by a qualified person in accordance to all local regulations.
 2. This equipment requires the use of an NEC Class 2 / Certified Limited Power Source (LPS)
-

What's in the box

Standard Items

- Illustra Pro PTZ Camera with Mounting Base
- Quick Reference Guide
- Illustra Pro Hex Standoff Kit

Tools Required

- 6.6mm (1/4in) fixed-handle nut driver for Torx bit
- Wire cutters and strippers
- 2.5mm (0.1in) slotted screwdriver

Installing the Surface Mounting Base

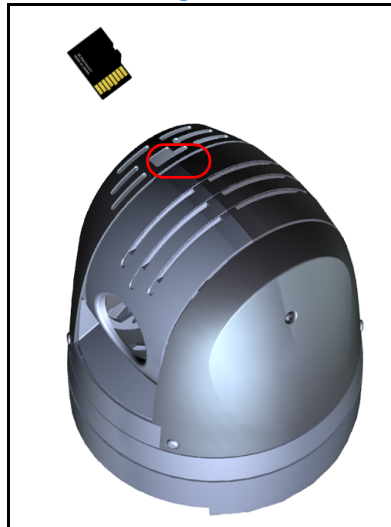
The following describes the installation procedure for the Illustra Pro PTZ Surface Mounting Base.

Note

To attach the mounting base to a tile ceiling you will require the RHIUTBAR T-bar kit. For information refer to the installation kit provided with the RHIUTBAR T-bar kit.

- 1 Remove the dome from the packaging.
- 2 If required, install a microSD card into the dome memory card slot as seen in Figure 1:
 - a Align the microSD card with the memory card slot as shown, the gold-colored contacts should face towards the camera lens.
 - b Push the microSD card into the memory card slot until it locks into position.
 - c To remove the microSD card push the card gently until it disengages from the dome.
 - d Remove the microSD card.

Figure 1



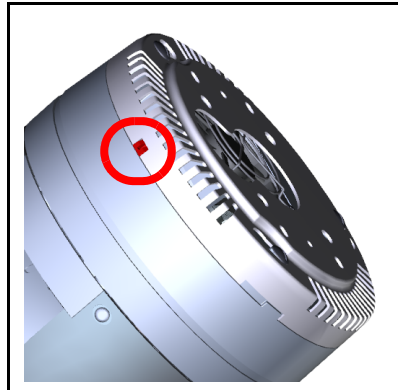
Note

The microSD card is an optional accessory and is not supplied with the dome. The maximum size of microSD card that can be used with the dome is 32GB. Contact your Tyco Security Products representative for further information.

- 3 Remove the surface mounting base from the dome:

- a Depress the red bayonet latch with a tool to release the locking mechanism as seen in Figure 2.

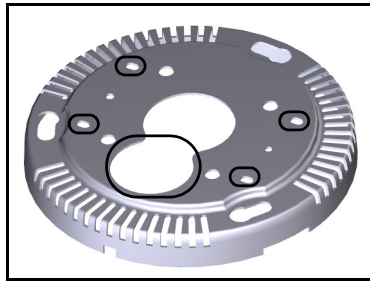
Figure 2



- b Rotate the surface mounting base counter-clockwise to remove it from dome.
 - c Return the dome to the packaging to protect it from dust during the installation.
- 4 Place the surface mounting base against the ceiling and mark and drill holes for the mounting screws.

For a new installation we recommend that the holes highlighted in Figure 3 are drilled.

Figure 3



Note

If required, the mounting base can be used with existing drill holes used by previous camera mounts.



Ensure that any access or screw holes that have been drilled complies with the latest national electrical code, national fire code and all applicable local codes and ordinances.

Attaching to Sheet Rock

- a Drill four 9.5mm (3/8in) holes for plastic anchors.
- b Drill one 19.5mm (3/4in) hole for cable access.
- c Install the plastic anchors. Place the washers onto the screws and insert them into the anchors, sequentially tighten the screws to secure the base.
- d Feed the cables through the access hole.

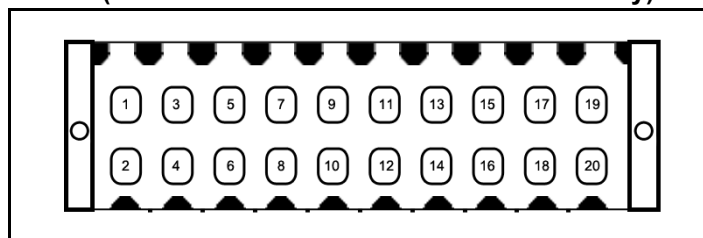
Attaching to Wood

- a Drill four 3.2mm (1/8in) holes for mounting screws.
 - b Drill one 19.5mm (3/4) hold for cable access.
 - c Place the washer onto the screws and insert them into the wood, sequentially tighten the screws to secure the base.
 - d Feed the cables through the access hole.
- 5 If using the Feature Plus option connect the Alarm and Audio cables to the spring loaded contacts on the base of the dome.



The Audio Output and Microphone cables shall be shielded and shall not be longer than 30m.

Alarm and Audio (Available on the Feature Plus version only)

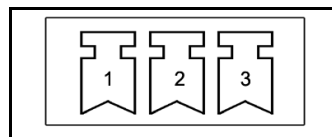


Pin#	Designation
1	Relay NO (Normally Open)
2	Relay C (Common)
3	Relay NC (Normally Closed)
4	GND
5	-
6	-
7	GND
8	GND
9	-
10	-

Pin#	Designation
11	Alarm IN #1 (Active Low)
12	GND
13	Alarm IN #2 (Active Low)
14	Alarm IN #3 (Active Low)
15	MIC BIAS (4.5V 2mA)
16	Alarm IN #4 (Active Low)
17	MIC Input
18	Audio Output
19	Audio GND*
20	Audio GND*

- 6 Terminate the power and network cable using the provided connectors.

Power AC



Pin#	3 Wire AC Supply
1	24Vac
2	-
3	24Vac

- 7 Connect the LAN and power cables.

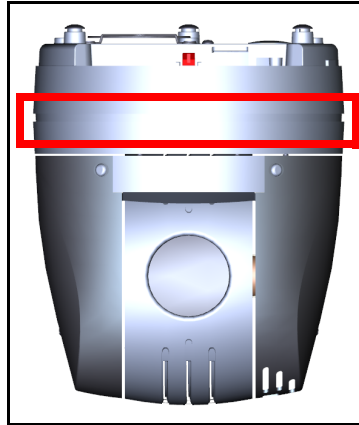
- 8 Attach the dome to the surface mounting base:



Ensure that the cables do not obstruct the fan on the base of the dome.

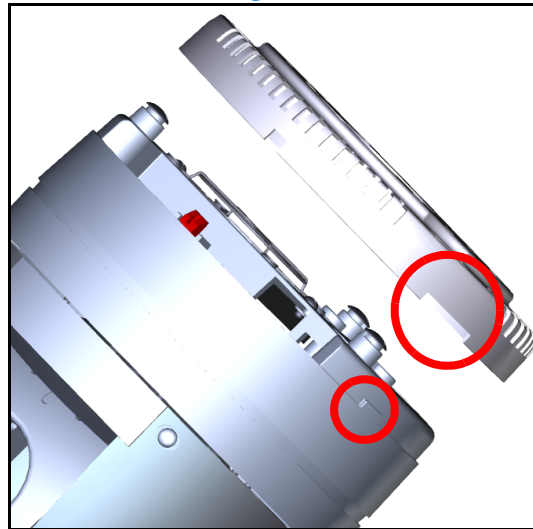
- a Firmly grip the dome at the base using the notch as a guide for finger and thumb placement, this area has been highlighted in Figure 4. Avoid holding the dome by the body as this will rotate and will not provide a secure grip.

Figure 4



- a Align the dome with the notches on the surface mounting base as seen in Figure 5.

Figure 5



- b Rotate the dome clockwise until it locks into position, you will hear a click as the bayonet cap engages.



Ensure that the bayonet cap has engaged.

- 9 Remove the protective film from the slot window.

10 Apply power to the dome.

When power is applied, the dome checks its functionality by performing a homing routine during which the camera pans and then either goes to the start point of the 'apple peel' pattern or if powered up once before, to the last position in memory. Once the camera stops, it is online and ready to be accessed and controlled.



Take care when removing the dome from the surface mounting base as when the bayonet cap is released the dome will no longer be secured.

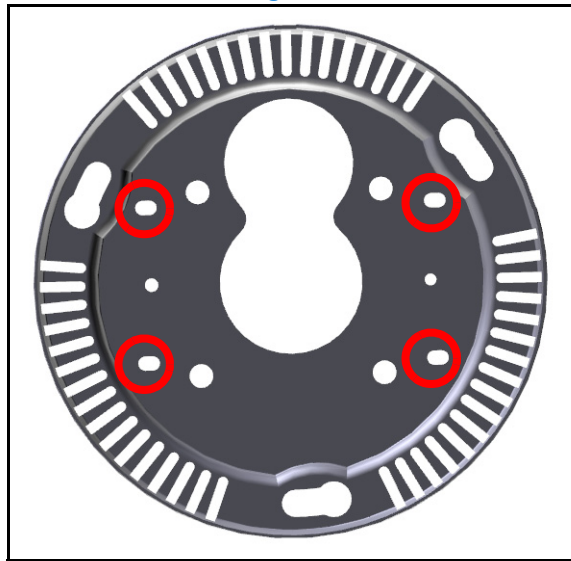
Installing the Illustra Pro PTZ using Alternative Mounts

The Illustra Pro PTZ dome and surface base mount can be used with the following adaptors:

- ADLOMARM (black) with ADCiM6PENDCAPBK
- ADLOMARM (white) with ADCiM6PENDCAPWK
- ADCiM6WALLWK
- ADCiM6WALLBK
- ADCiM6FLUSHOW
- ADCiM6FLUSHOB

For installation using these mounts the holes highlighted on the surface mounting base as seen in Figure 6 should be used.

Figure 6



Using the ADCiM6PENDCAPxK Pendant Cap Mount

The following describes the process for installation of the Illustra Pro PTZ surface mounting base to the ADCiM6PENDCAxK Pendant Cap Mount.

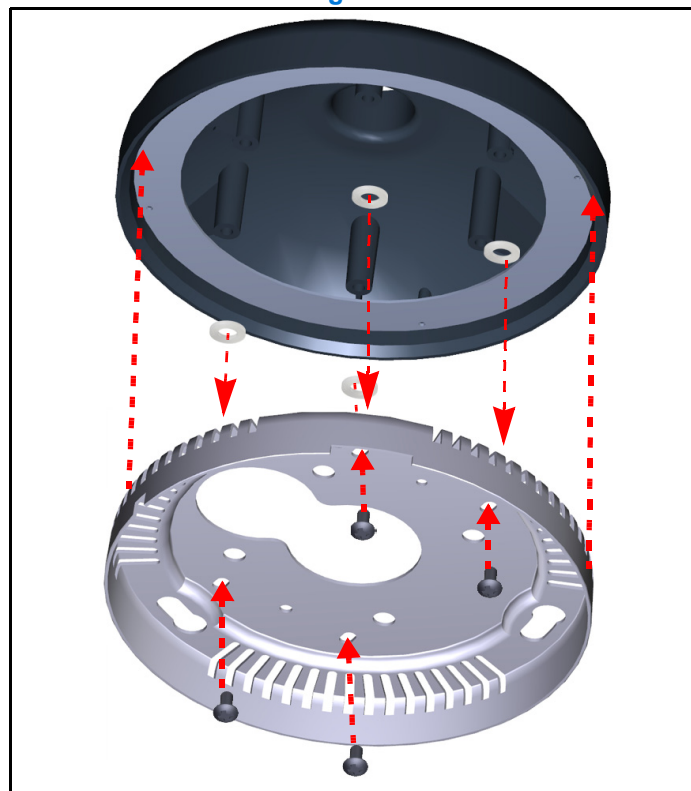
Note

This guide assumes that the ADCiM6PENDCAxK Pendant Cap Mount has been installed using the installation guide provided with the product and that cables have been pulled to the site.

Step	Action
------	--------

- | | |
|---|--|
| 1 | Remove the surface mounting base from the dome.
Refer to Installing the Surface Mounting Base step 3. |
| 2 | Insert 4 x M4x6 screws through the corresponding holes on the Surface Mounting Base and attach the 4x captive washers. |
| 3 | Using the 4 x M4x6 screws, attach the Surface Mounting Base to the pendant cap as illustrated. Sequentially tighten the screws to secure the base. |

Figure 7



- | | |
|---|--|
| 4 | Feed the cables through the access hole. |
| 5 | Connect the cables to the dome.
Refer to Installing the Surface Mounting Base step 5 and 6. |
| 6 | Attach the dome to the surface mounting base.
Refer to Installing the Surface Mounting Base step 8. |

Using the ADCiM6WALLxK Wall Mount

The following describes the process for installation of the Illustra Pro PTZ surface mounting base to the ADCiM6WALLxK Wall Mount.

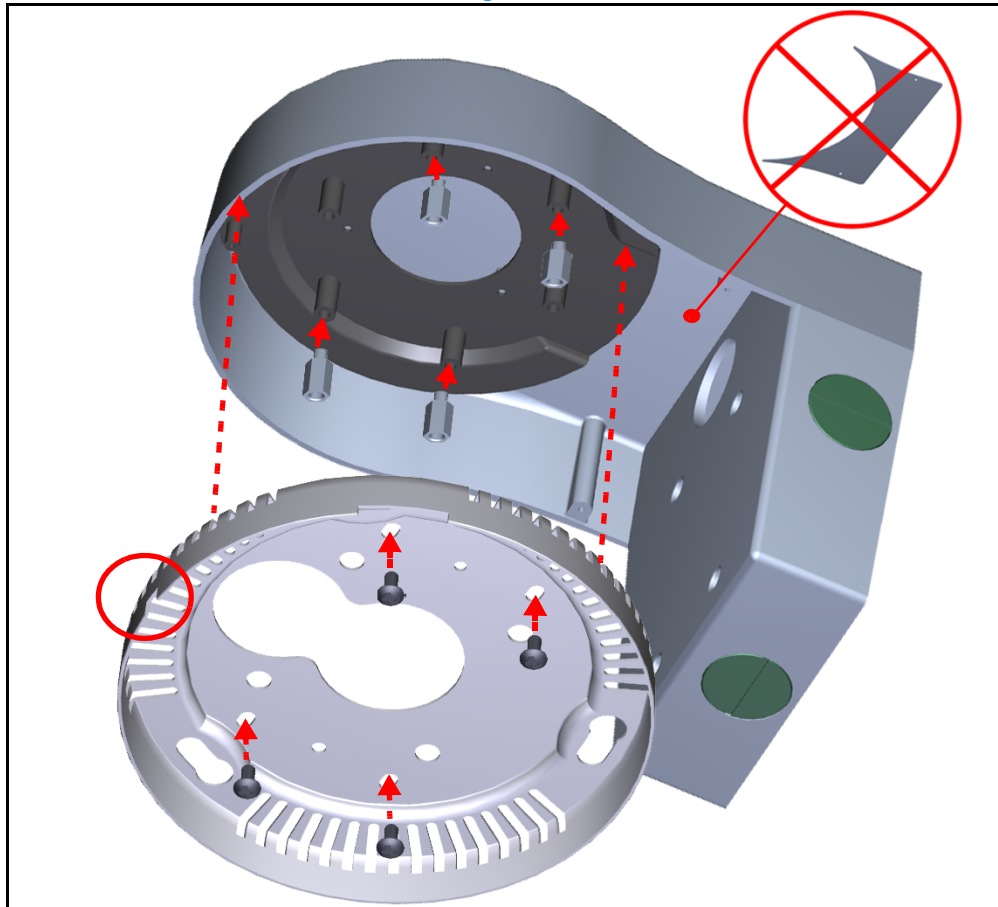
Note

This guide assumes that the ADCiM6WALLxK Wall Mount has been installed using the installation guide provided with the product and that cables have been pulled to the site.

Step	Action
------	--------

- | | |
|---|--|
| 1 | Remove the surface mounting base from the dome.
Refer to Installing the Surface Mounting Base step 3. |
| 2 | Remove the 4 x 8mm Hex Standoffs from the supplied kit. |
| 3 | Insert the 4 x 8mm Hex standoffs as seen in Figure 8. |

Figure 8



- | | |
|---|--|
| 4 | Using the 4 x M4x6 screws Attach the Surface Mounting Base to the mounting as illustrated. Sequentially tighten the screws to secure the base. |
|---|--|

Note

Ensure that the bayonet cap lock is facing to the front of the mount as illustrated.

- 5** Feed the cables through the access hole.
- 6** Connect the cables to the dome.
Refer to Installing the Surface Mounting Base step 5 and 6.
- 7** Attach the dome to the surface mounting base.
Refer to Installing the Surface Mounting Base step 8.

- End -

Using the ADCiM6FLUSHxx Flush Mount

The following describes the process for installation of the Illustra Pro PTZ surface mounting base to the ADCiM6FLUSHxx Flush Mount.

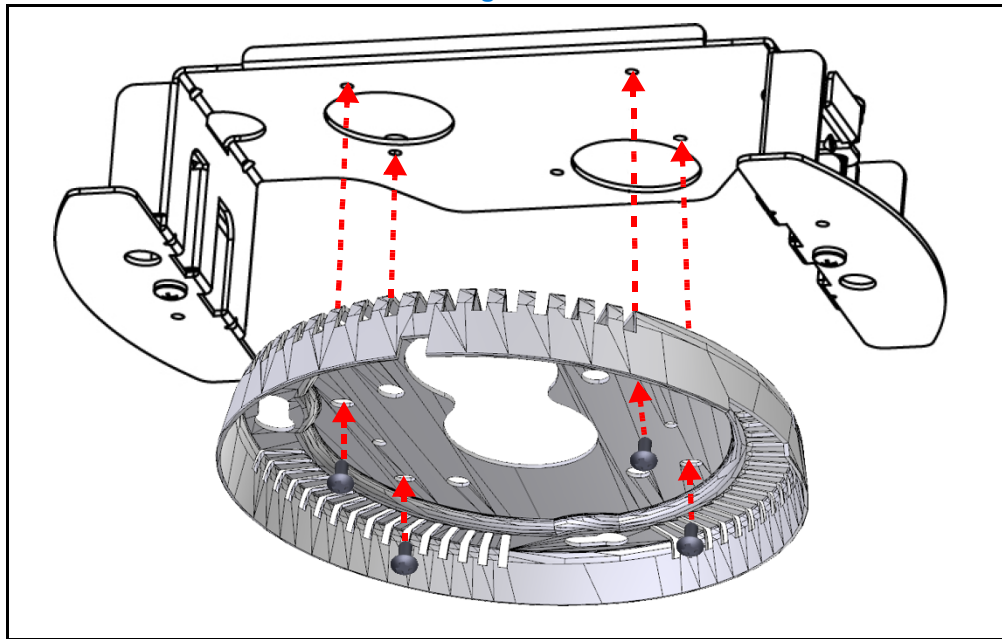
Note

This guide assumes that the ADCiM6FLUSHxx Flush Mount has been installed using the installation guide provided with the product and that cables have been pulled to the site.

Step	Action
------	--------

- | | |
|---|--|
| 1 | Remove the surface mounting base from the dome.
Refer to Installing the Surface Mounting Base step 3. |
| 2 | Attach the fixing bracket to the surface mounting base with four M4x6 screws as seen in Figure 9. |

Figure 9



- | | |
|---|--|
| 3 | Feed the cables through the access hole. |
| 4 | Insert the fixing bracket into the mounting area in the ceiling.
Use a screwdriver to rotate the screws on both sides of the fixing bracket until the locking arms, firstly splay out, and then tighten against the mounting surface. |
| 5 | Connect the cables to the dome.
Refer to Installing the Surface Mounting Base step 5 and 6. |
| 6 | Attach the dome to the surface mounting base.
Refer to Installing the Surface Mounting Base step 8. |

- 7 Attach the fixing plate to the adapter with the two M4x6 screws.

Note

The fixing plate will have to be removed if access is required to the dome.

- End -

Specifications

PoE

- 802.3at PoE+ 25.5W max

Electrical (dome)

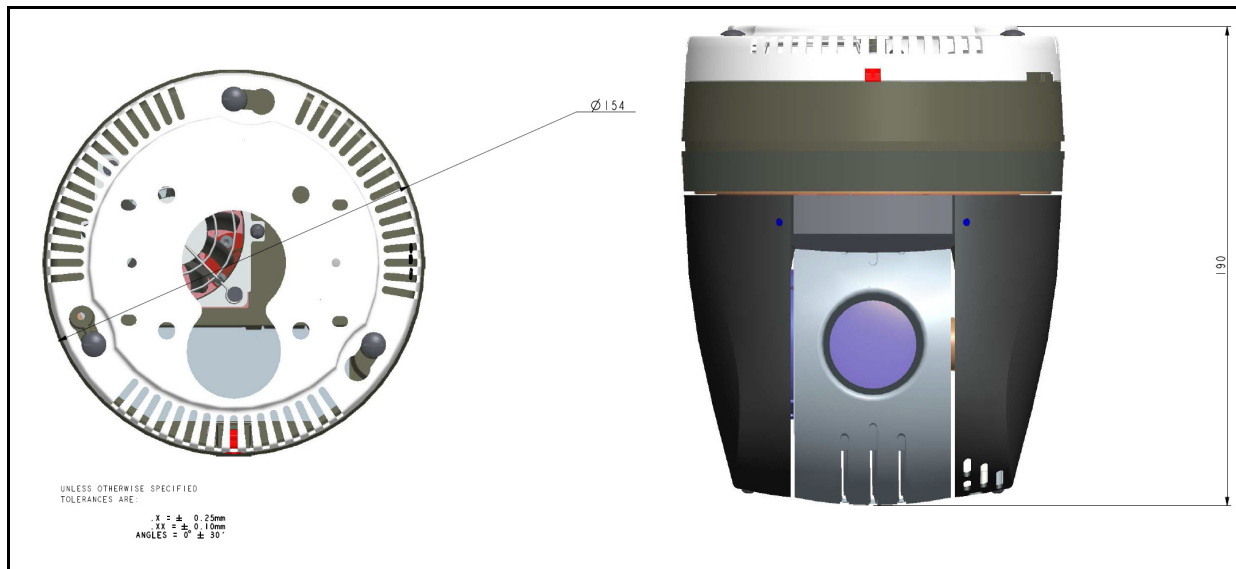
- Input Voltage 22 to 30Vac, 50/60 Hz
NEC Class 2 / Certified Limited Power Source
Maximum operation current indoor 1.4amps RMS

Environmental

- Operating Temperature Indoor -10°C to 50°C
(14°F to 122°F)
- Relative Humidity 0 to 95% non-condensing
- Storage Temperature -10°C to 50°C
(14°F to 122°F)

Mechanical Details and Dimensions

Dimensions are in mm



Camera: 1.85Kg (4.08lbs)

