



Junction Box Quick Start Guide

Illustra Flex 3MP Outdoor Bullet Camera

Product overview

The Junction Box, **IFBMNTBOX**, is compatible with the Illustra Flex 3MP Outdoor camera **IFS03BIBNWIT**. Table 1 provides the product code and description of the camera.

Use the Junction Box kit to mount the camera on a ceiling or wall surface.

Product code	Description
IFS03B1BNWIT	Illustra Flex 3MP Bullet, 2.8-12mm, outdoor, non-vandal, white, TDN w/IR

Table 1. Product information of junction box camera compatibility

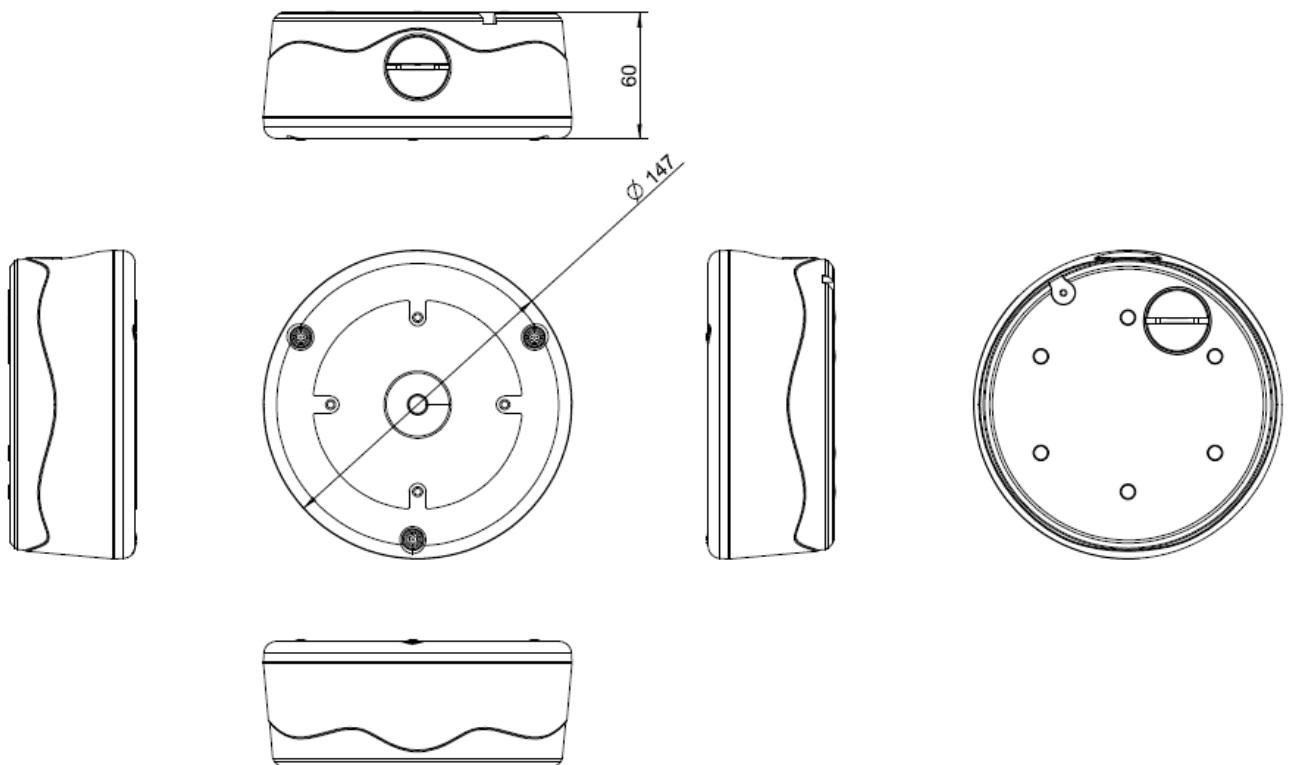


Figure 1. Physical dimensions (mm)

Installation and mounting

Check everything in the box matches the order form and packing slip.
Contact your dealer if any item is missing.

The box contains the following items:

- One junction box **IFBMNTBOX**
- One Quick Start Guide 8200-1454-01 A0
- One waterproof rubber sealing gasket
- Six security torx screws
- Six plastic anchors and screws (TP4)

Required tools

The following tools assist with installation:

- A drill
- A hammer
- A Phillips head screw driver
- Wire cutters

Installation and mounting procedure

To install and mount the camera, complete the following steps:

- 1 Drill 6 holes on the wall or surface, based on the mounting template.
- 2 Hammer the 6 screw anchors into the drilled holes.
- 3 Fix the junction box onto the wall or surface by fastening the 6 TP4 Tapping screws with the 6 screw anchors

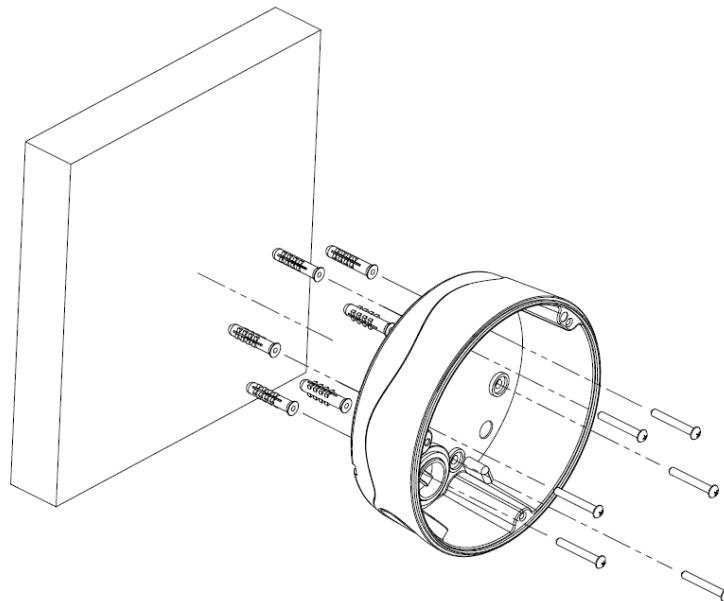


Figure 2. Fixing the Junction Box

4. Pass the cable thread of the camera through the adapter plate, and then secure the camera with the adapter plate by fastening the 4 T20 screws.

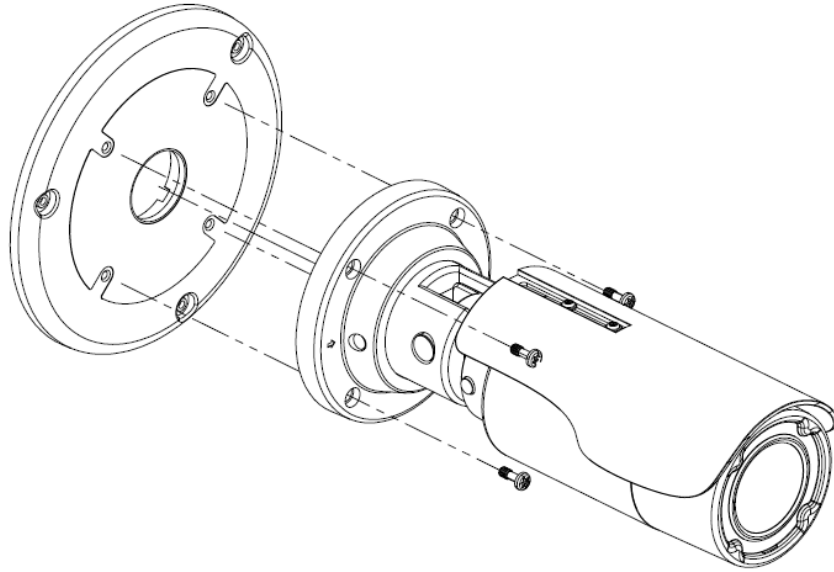


Figure 3. Securing the camera to the adaptor plate

5. From the rear side, cover the cable thread with the waterproof rubber sealing and fasten them to the holding bracket plate using 3 T20 screws fixed onto the exact place.

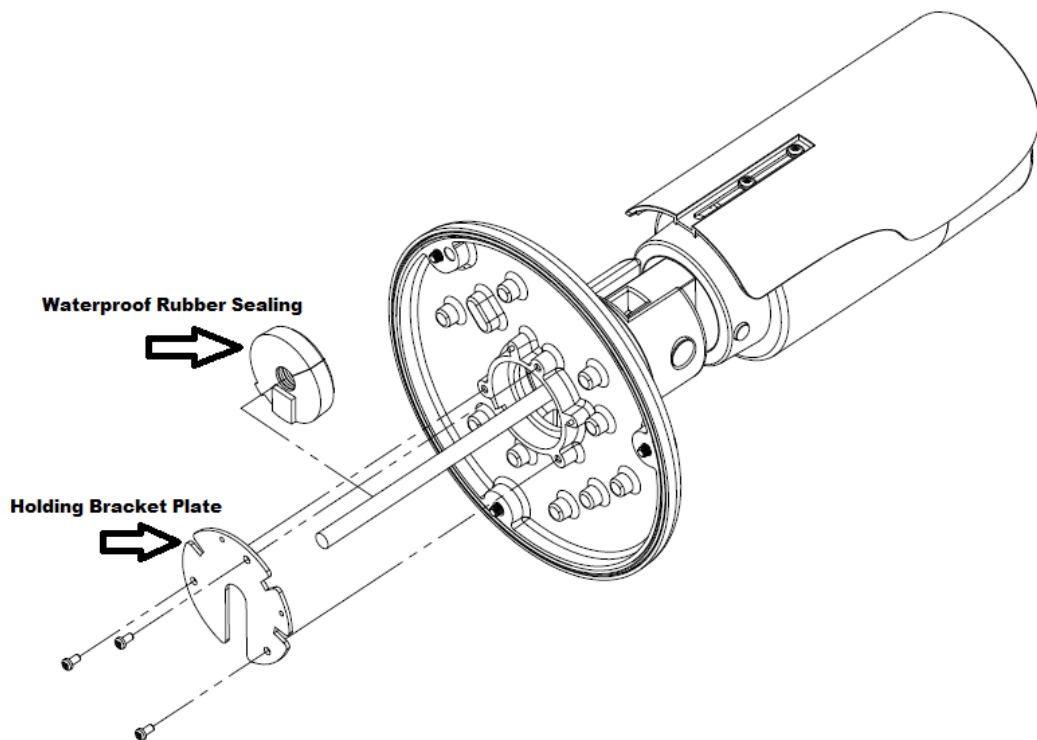


Figure 4. Threading the cables

6. Place the cable thread inside the junction box to connect with the required cables penetrating from either the bottom or side conduit hole, and assemble the junction box with the adaptor plate by fastening the 3 T20 screws.

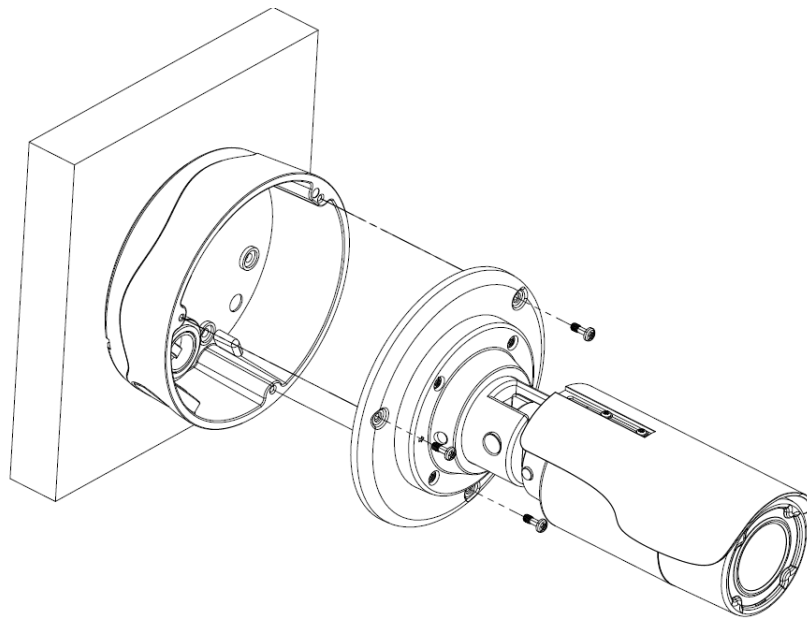


Figure 5. Assembling the Junction Box with the adaptor plate

You have completed the installation of the camera on a wall or surface, as displayed in Figure 6 below.

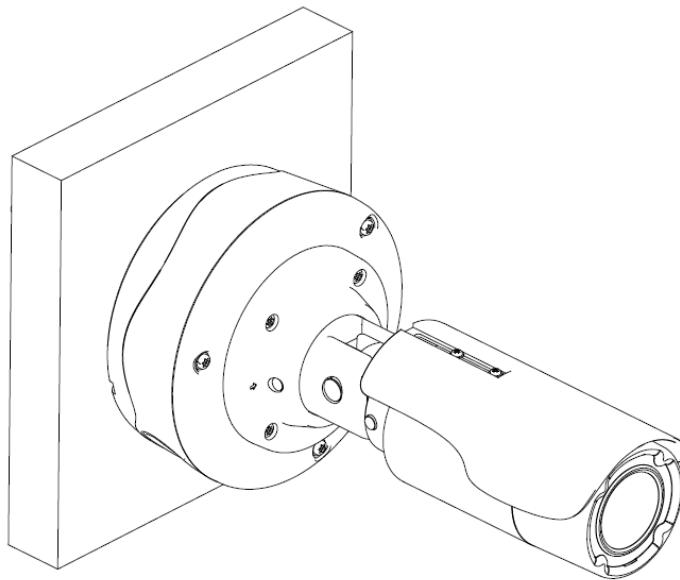


Figure 6. Final mounting

Notes and warnings

- It is advised to apply rubber tape splicing tape around the required cables, which are slated for passing through either the bottom or side conduit hole, for securing waterproof function.

Mounting Template

The Junction Box, **IFBMNTBOX**, mounting template is below. Use this template to locate where to drill the holes for the mounting and installation of the camera. The height by width of the template below is 136 mm x 136 mm.

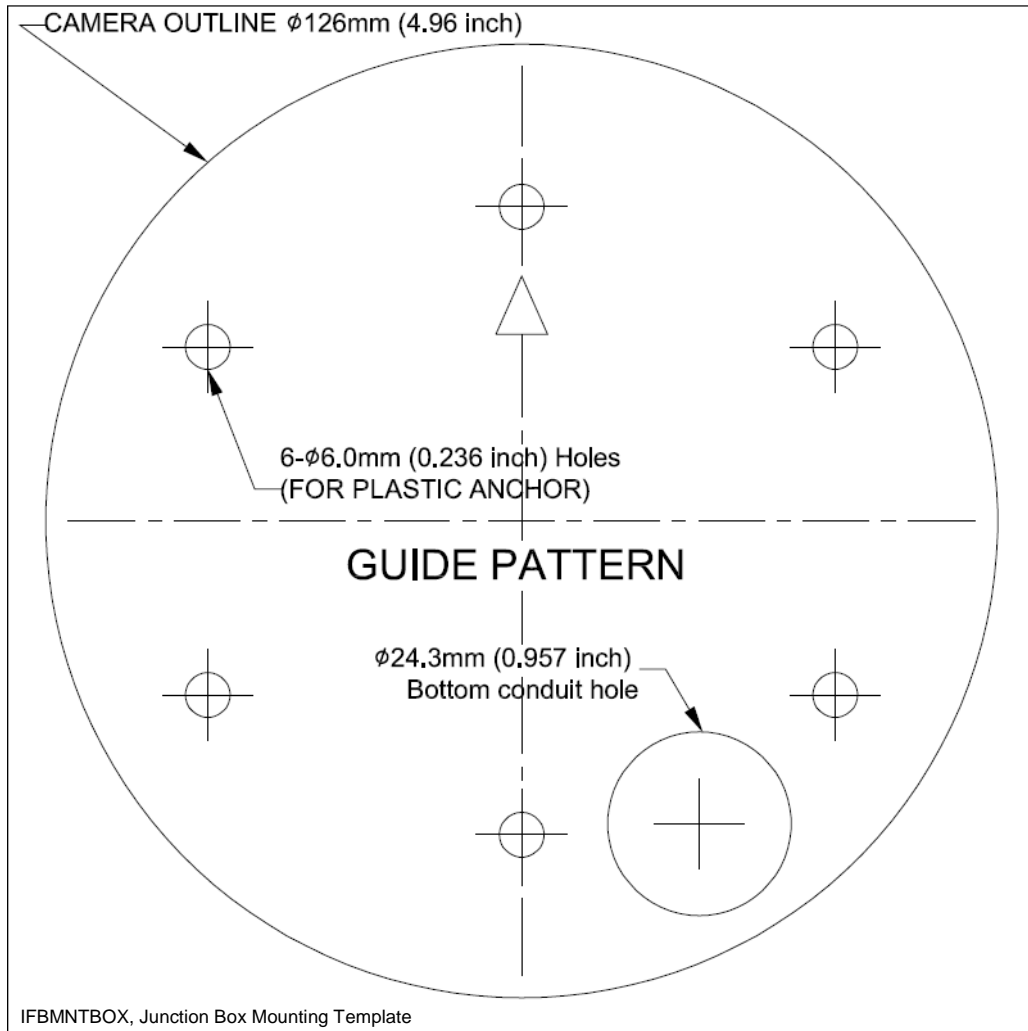


Figure 7. Mounting template (mm)