



# Quick Reference Guide

## **Illustra Pro PTZ Breakout Box**

---

## Notice

The information in this manual was current when published. The manufacturer reserves the right to revise and improve its products. All specifications are therefore subject to change without notice.

## Copyright

Under copyright laws, the contents of this manual may not be copied, photocopied, reproduced, translated or reduced to any electronic medium or machine-readable form, in whole or in part, without prior written consent of Tyco Security Products. © 2013 Tyco Security Products. All rights reserved.

Tyco Security Products  
6600 Congress Avenue  
Boca Raton, FL 33487 U.S.A.

## Customer Service

Thank you for using Tyco Security Products products. We support our products through an extensive worldwide network of dealers. The dealer through whom you originally purchased this product is your point of contact if you need service or support. Our dealers are empowered to provide the very best in customer service and support. Dealers should contact Tyco Security Products at (800) 507-6268 or (561) 912-6259 or on the Web at [www.Illustracameras.com](http://www.Illustracameras.com).

## Trademarks

Windows® is a registered trademark of Microsoft Corporation. PS/2® is a registered trademark of International Business Machines Corporation.

The trademarks, logos, and service marks displayed on this document are registered in the United States [or other countries]. Any misuse of the trademarks is strictly prohibited and Tyco Security Products will aggressively enforce its intellectual property rights to the fullest extent of the law, including pursuit of criminal prosecution wherever necessary. All trademarks not owned by Tyco Security Products are the property of their respective owners, and are used with permission or allowed under applicable laws.

Product offerings and specifications are subject to change without notice. Actual products may vary from photos. Not all products include all features. Availability varies by region; contact your sales representative.

## License Information

Your use of this product is governed by certain terms and conditions. Please see the detailed license information at the end of this manual.

## Disclaimers

MPEG-4 Disclaimer:

THIS PRODUCT IS LICENSED UNDER THE MPEG-4 VISUAL PATENT PORTFOLIO LICENSE FOR THE PERSONAL AND NON-COMMERCIAL USE OF A CONSUMER TO (i) ENCODING VIDEO IN COMPLIANCE WITH THE MPEG-4 VISUAL STANDARD ("MPEG-4 VIDEO") AND/OR (ii) DECODING MPEG-4 VIDEO THAT WAS ENCODED BY A CONSUMER ENGAGED IN A PERSONAL AND NON-COMMERCIAL ACTIVITY AND/OR WAS OBTAINED FROM A VIDEO PROVIDER LICENSED BY MPEG LA TO PROVIDE MPEG-4 VIDEO. NO LICENSE IS GRANTED OR SHALL BE IMPLIED FOR ANY OTHER USE. ADDITIONAL INFORMATION INCLUDING THAT RELATING TO PROMOTIONAL, INTERNAL AND COMMERCIAL USES AND LICENSING MAY BE OBTAINED FROM MPEG LA, LLC. SEE [HTTP://WWW.MPEGLA.COM](http://WWW.MPEGLA.COM)

H.264 Disclaimer:

THIS PRODUCT IS LICENSED UNDER THE AVC PATENT PORTFOLIO LICENSE FOR THE PERSONAL AND NON-COMMERCIAL USE OF A CONSUMER TO (i) ENCODE VIDEO IN COMPLIANCE WITH THE AVC STANDARD ("AVC VIDEO") AND/OR (ii) DECODE AVC VIDEO THAT WAS ENCODED BY A CONSUMER ENGAGED IN A PERSONAL AND NON-COMMERCIAL ACTIVITY AND/OR WAS OBTAINED FROM A VIDEO PROVIDER LICENSED TO PROVIDE AVC VIDEO. NO LICENSE IS GRANTED OR SHALL BE IMPLIED FOR ANY OTHER USE. ADDITIONAL INFORMATION MAY BE OBTAINED FROM MPEG LA, L.L.C. SEE [HTTP://WWW.MPEGLA.COM](http://WWW.MPEGLA.COM)

# Table of Contents

---

<b>Illustra Pro PTZ Breakout Box</b>	<b>1</b>
To the Installer . . . . .	1
What's in the box . . . . .	1
Standard Items . . . . .	1
Tools Required . . . . .	1
Cautions . . . . .	1
Mounting the Breakout Box . . . . .	2
Wiring the Breakout Box . . . . .	3
Specifications . . . . .	4
Mechanical . . . . .	4
Environmental . . . . .	4



# Illustra Pro PTZ Breakout Box

---

## To the Installer

This guide assumes that the Illustra Pro PTZ Outdoor Housing has been installed and that the required cables have been pulled to the site.

## What's in the box

### Standard Items

- Illustra Pro PTZ Breakout Box Assembly
- Quick Reference Guide
- Audio Cable
- Alarm Cable

## Tools Required

- 2.5mm (0.1in) slotted screwdriver

## Cautions

**Outside elements:** To keep outside elements from entering the box, always mount it vertically with cables exiting downwards.

**Wire routing:** Ensure wires from the secondary and primary sides of the transformer do not cross paths within the box.

**Enclosure access:** The box meets the IP66 and NEMA 4 standards for weatherproofing when installed correctly. To maintain this rating, do not drill into the enclosure. For outdoor installations, use outdoor rated conduit to maintain the IP66 NEMA 4 rating.

## Mounting the Breakout Box

The breakout box can be mounted either indoors or outdoors to any suitable vertical flat surface.

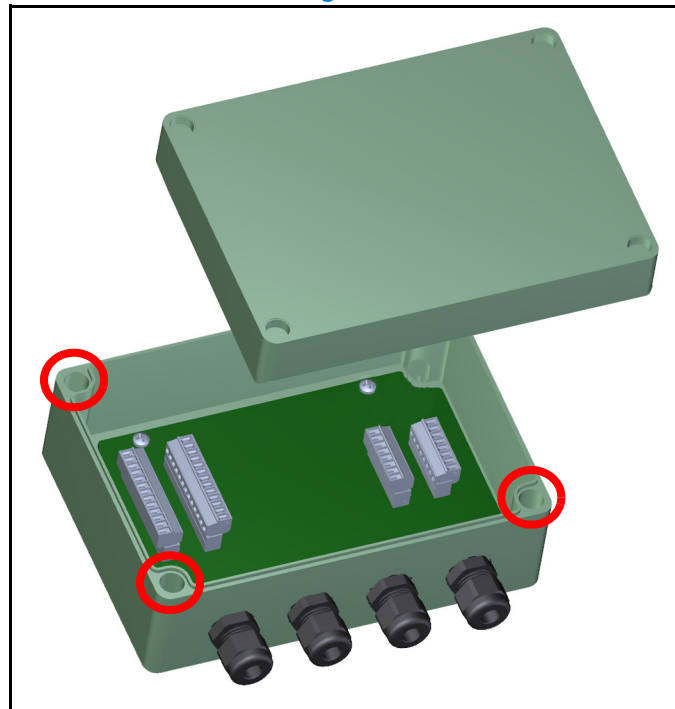
---

Step	Action
------	--------

---

- 1 Remove the cover from the box.
- 2 Using the breakout box as a template, mark locations for the four mounting screws. As seen in the Figure 1.

Figure 1



- 3 Drill holes. If in concrete, insert anchors.
- 4 Place the breakout box in its mounting position. Then insert a 25mm (1 inch) #8 mounting screw (not supplied) into each hole in the four corners of the breakout box and tighten to secure.

---

- End -

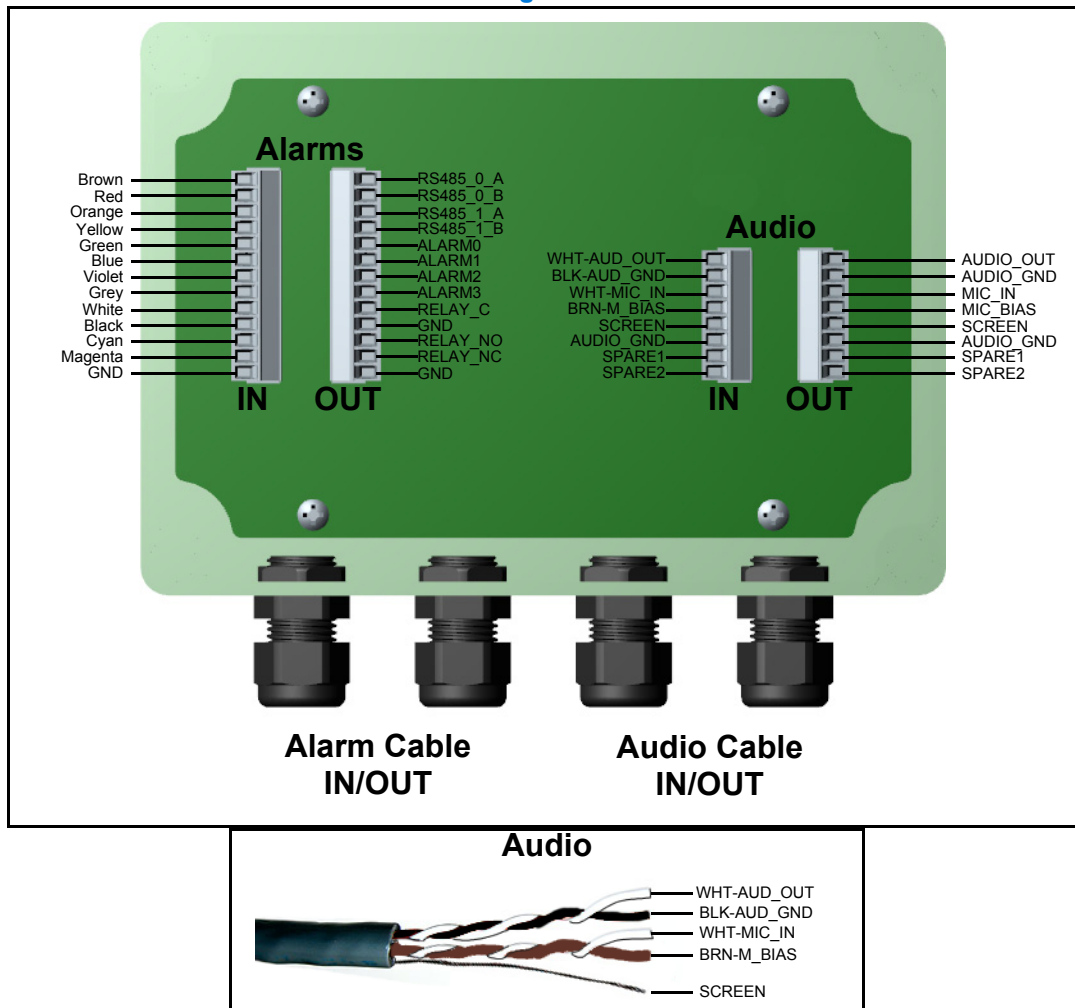
---

## Wiring the Breakout Box

This guide assumes that cables have been pulled to the site.

- | Step | Action  |
|------|---|
| 1    | For outdoor installations, remove the four watertight cord grip fittings and replace with appropriately rated 20mm conduit needed for outdoor use. Fit seals/glands in accordance with conduit manufacturer's instructions. |
| 2    | Feed the alarm and audio cables through the conduit and connectors.   |
| 3    | Terminate the alarm and audio wires using the provided connectors.  |
- The pin out details are printed on the circuit board in the breakout box and are detailed in Figure 2.

Figure 2



- 4 Replace the cover on the breakout box and secure with the provided screws.

- End -

## Specifications

### Mechanical

- Environment ..... Indoor / Outdoor
- Wall mounting options ..... Concrete, wood, sheet rock
- Dimensions (H x W x D) .... 175 x 125 x 75mm (6.9 x 4.9 x 3 inches)
- Mounting area (H x W) ..... 281 x 200mm (11.1 x 7.9 inches)
- Weight ..... 1.9kg (4.2 lbs)
- Enclosure material ..... Impact resistant polycarbonate, non-metallic
- Flammability rating ..... UL 94-5V
- Color ..... Light gray
- Cover fasteners ..... 4 captive screws
- Cable access ..... 4 liquid tight Cordgrip fittings 9mm diameter (0.354 inches)

### Environmental

- Enclosure rating..... NEMA 4 / IP66
- Operating temperature: ..... -30°C to 50°C (-22°F to 122°F)
- Storage temperature:..... -40°C to 50°C (-40°F to 122°F)
- Relative Humidity:..... 0 to 95% non-condensing
- Evaluated for altitudes less than 3200m (10500ft)