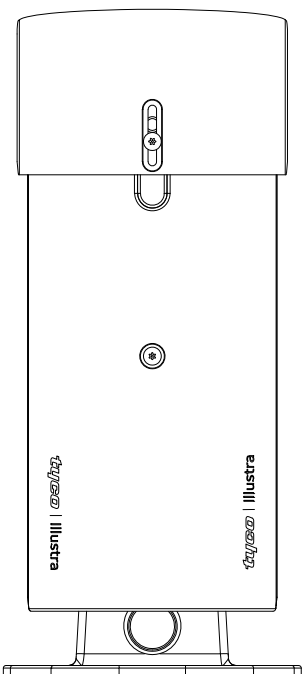
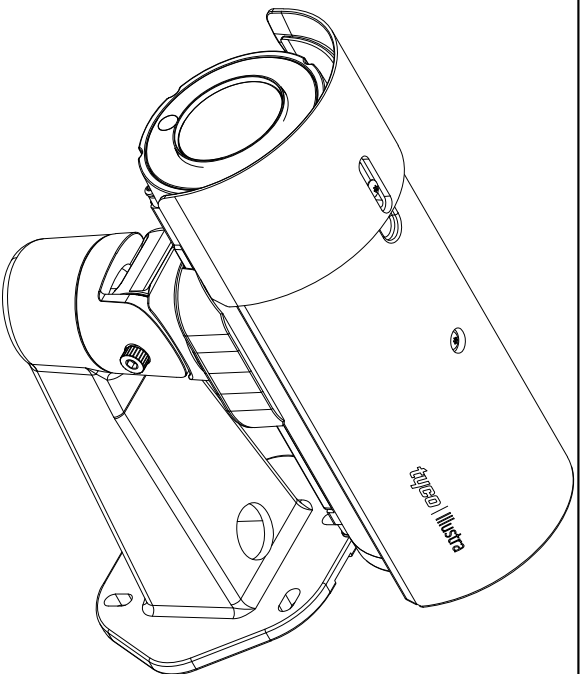
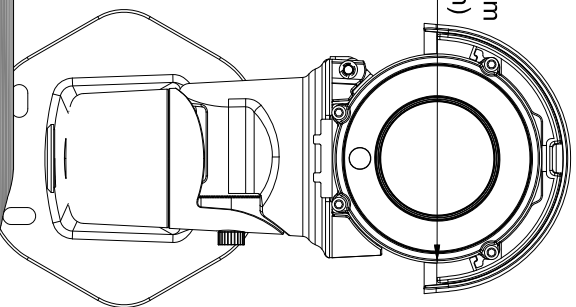


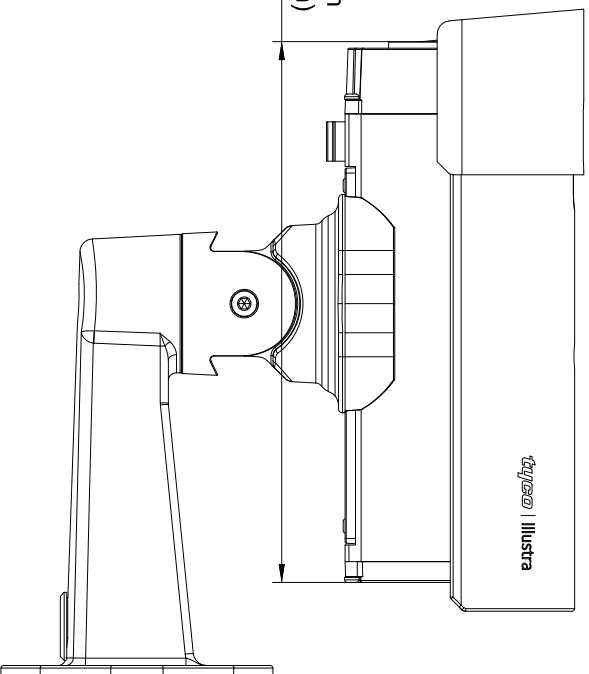
3610-0607-78 A0



Ø79.9 mm  
(Ø3.15in)



205mm  
(8.07in)



Part	Material	Color
Front Cover	ADC12	RAL9003
Body	AL6063-T5	RAL9003
Rear cover	ADC12	RAL9003
Sunshade	S-3000UR	RAL9003
Bracket	ADC12	RAL9003

Illustra Pro Gen 3 Standard Bullet cameras

General Notes

**tycoo**

UNIT: MM(INCH)

No. 3610-0607-78A0  
Revision/Issue Date

**tycoo**

IPS02-B12-0103  
IPS03-B12-0103  
IPS05-B12-0103  
IPS08-B13-0103

Project	Sheet
Date	
Scale	