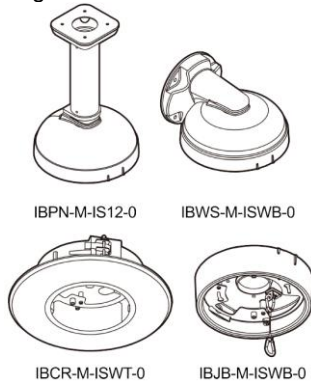


Quick Start Guide

(8200-1938-05_DO)

Flex Gen 2 Multi Sensor Dome Camera Mounting Accessories Quick Start Guide



Mount Installation (IBPN-M-IS12-0)

1. Place the mounting template sticker on to the ceiling and drill four holes, cut out a cable hole and then insert the four screw anchors into the four holes.
2. Align the holes on the mounting plate with the holes on the mounting pole base (1) (Figure 1) and hold both up to the ceiling.
3. Align the four holes on the mounting pole base with the four holes on the ceiling.
4. Insert the four screws into the four holes on the mounting plate and securely attach the mount cover to the mounting pole.
5. Attach the safety lanyard to the 'hook' on the mount cover (2) (Figure 1) and the 'hook' on the camera base.
6. Follow the steps in the Camera Installation procedure to secure the camera to the mount.

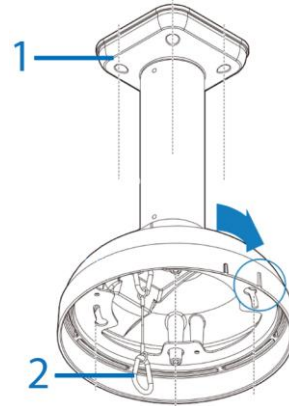


Figure 1

Mount Installation (IBWS-M-ISWB-0) continued

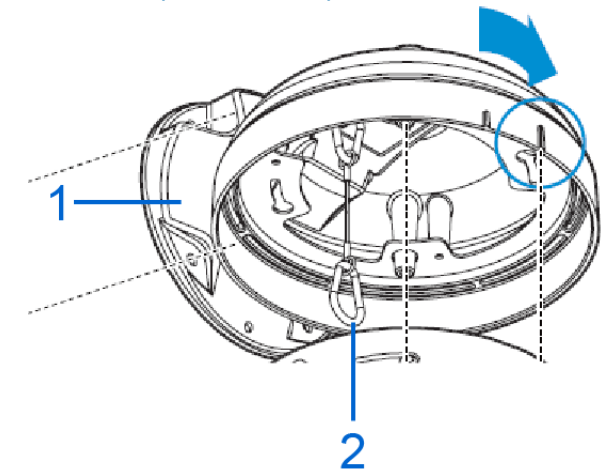


Figure 2

Note: You must securely attach one of the camera mounts in the table below to the surface that you want to attach the camera. When the mount is installed then the camera is securely attached to the mount. Follow the steps in the Camera Installation procedure to secure the camera to the mount.

Mount Product Code	Description on label
IBPN-M-IS12-0	Flex Multi-sensor Ceiling bracket
IBWS-M-ISWB-0	Flex Multi-sensor Wall bracket
IBCR-M-ISWT-0	Flex Multi-sensor In-Ceiling bracket
IBJB-M-ISWB-0	Flex Multi-sensor Junction bracket

In the box (IBPN-M-IS12-0)

- 1 x Ceiling bracket mount
- 4 x Screws and screw anchors (attaching the pole to the ceiling)
- 2 x Mounting screws (attaching the camera to the mount cover)
- 1 x Safety lanyard (plus two spare lanyard ends)
- 1 x Quick Start Guide
- 1 x Mounting Template sticker
- 1 x Mounting plate (for attaching the pole to the ceiling)
- 1 x Allen wrench
- 1 x Driver bit

Installation tools (IBPN-M-IS12-0)

- Drill
- Allen wrench
- Screwdriver

In the box (IBWS-M-ISWB-0)

- 1 x Wall bracket mount
- 2 x Mounting screws (these attach the camera to the mount)
- 4 x Screws and screw anchors
- 1 x Safety lanyard (plus two spare lanyard ends)
- 1 x Quick Start Guide
- 1 x Mounting Template sticker
- 1 x Mounting plate

Installation tools (IBWS-M-ISWB-0)

- Drill
- Screwdriver

Mount Installation (IBWS-M-ISWB-0)

1. Place the mounting template sticker on to the mounting surface and drill four screw holes, cut out a cable hole and then insert the four screw anchors into the four screw holes.
2. Align the holes on the mounting plate with the holes on the wall mount base (1) (Figure 2) and hold the mounting plate and wall mount base up to the mounting surface.
3. Align the four holes on the mount base with the four holes on the surface.
4. Insert the four screws into the four holes on the mounting base and securely attach the base to the mounting surface.
5. Attach the safety lanyard (2) (Figure 2) to the 'hook' on the mount cover and the 'hook' on the camera base.
6. Follow the steps in the Camera Installation procedure to secure the camera to the mount.

In the box (IBCR-M-ISWT-0)

- 1 x In-Ceiling bracket mount
- 1 x Eye bolt
- 1 x Quick Start Guide
- 1 x Mounting Template sticker
- 2 x Safety lanyard
- 2 x Mounting screws (secures the camera to the mount)

Mount installation (IBCR-M-ISWT-0)

1. Place the mounting template sticker on to the ceiling and cut out a large hole as per the markings on the mounting template.
2. Attach one end of the safety lanyard to a secure structure or object in the ceiling and screw in the eye bolt (1) (Figure 3) to the top of the mount.
3. Attach the other end of the safety lanyard (2) (Figure 3) to the eye-bolt on the mount.
4. Pull the 'wings-tabs' (3) (Figure 3) out to tighten the mount against the ceiling. **Note:** You can rotate the screw (4) (Figure 3) to adjust the 'wings-tabs' up or down. **Note:** There are three 'wing-tabs' on the mount.
5. Attach the other safety lanyard to the 'hook' within the mount and the 'hook' on the camera base.
6. Follow the steps in the Camera Installation procedure to secure the camera to the mount.

Mount installation (IBCR-M-ISWT-0) continued

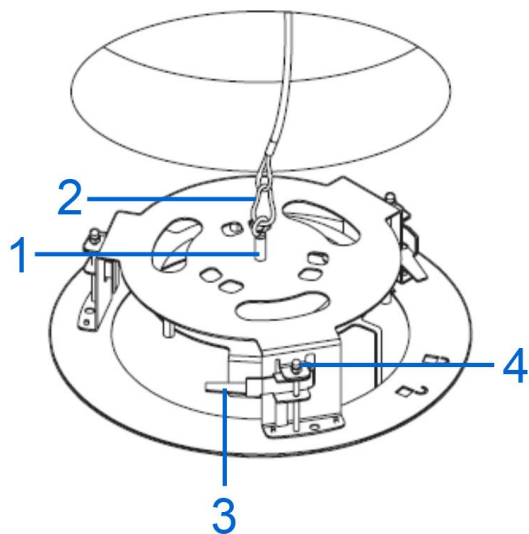


Figure 3

Mount Installation (IBJB-M-ISWB-0) continued

- Follow the steps in the Camera Installation procedure to secure the camera to the mount.

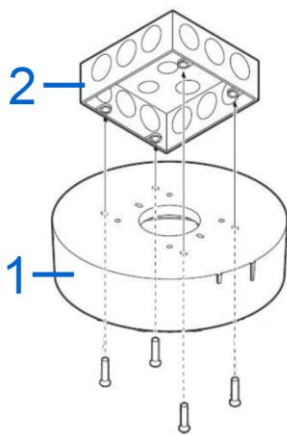


Figure 4

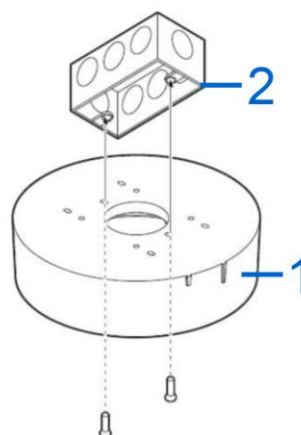


Figure 5

Camera Installation (continued)

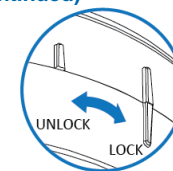


Figure 7

- To securely attach the camera base to the mount you must insert the two mounting screws provided with the mount into the two holes on the camera base (Figure 9).
- Adjust the four camera modules (Figure 8) on to the four magnetics on the camera base to ensure the best view.
Note: Align the four camera modules as per one of the three examples shown in Figure 8.
Note: Ensure that the camera modules are level with the dome and that the base guide is resting flat on the magnetic track.



Figure 8

In the box (IBJB-M-ISWB-0)

- 1 - Junction bracket mount
- 2 - Mounting screws (these attach the camera to the mount)
- 4 - Screws and screw anchors
- 1 - Safety lanyard
- 1 - Quick Start Guide
- 1 - Mounting Template sticker
- 4 - #8-32 3/4" screws (for use with a '4-11/16" ' electrical box)
- 2 - #6-32 x 1/2" screws (for use with a single-gang' electrical box)

Installation tools (IBJB-M-ISWB-0)

- Drill
- Screwdriver

Mount Installation (IBJB-M-ISWB-0)

You can attach the junction bracket mount directly to a wall / ceiling surface **or** to a 'single-gang' electrical box or '4-11/16" ' electrical box.

- Wall / ceiling installation:** Place the mounting template sticker on to the mounting surface and drill four screw holes, cut out a cable hole and then insert the four screw anchors into the four screw holes.
OR
Electrical box installation: Align the four holes on the junction bracket mount (1) (Figure 4) with the four holes on the mounting surface or '4-11/16" ' electrical box (2) (Figure 4) **or** align the two holes on the junction bracket mount (1) (Figure 5) with two holes on the single gang electrical box (2) (Figure 5).
- Insert the four / two screws into the four / two holes on the junction mount bracket and securely attach the mount to the mounting surface or electrical box.
- Attach the safety lanyard to the 'hook' on the mount cover (1) (Figure 6) and the 'hook' on the camera base.

Mount Installation (IBJB-M-ISWB-0) continued

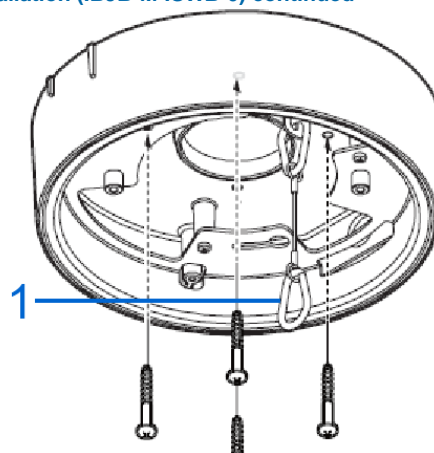


Figure 6

Camera Installation (continued)

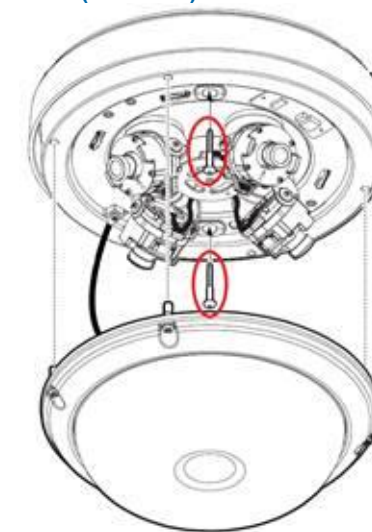


Figure 9

Camera Installation

- Hold the camera base up to the mount and place all cables through the cable hole on the camera mount.
- Align the two metal pins on the top of the camera base with the two holes on the mount and rotate the camera base so that the camera base sits into the mount.
Note: The bridge on the camera base (Figure 7) aligns with the 'lock' and 'unlock' bridges on the mount.

Note: Ensure that the camera module angle does not exceed 60 degrees. See Figure 10.

Camera Installation (continued)

Tilting 60°

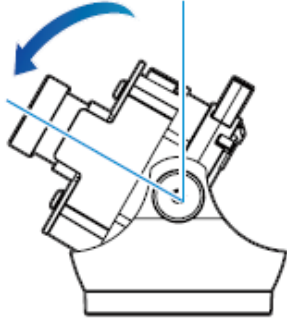


Figure 10

5. Use the Torx wrench to securely attach the dome cover to the camera base.
6. Remove the outer protective film from the dome cover to complete the installation.