

Quick Start Guide

(8200-1929-10_A0)

Essentials Gen4 Varifocal Dome & Fixed Dome
Pole Mount (IBPM-E-IS-40)

In the box

- 1 x Pole mount bracket
- 1 x Adaptor plate
- 2 x Adjustable metal straps
- 7 x M4 x 0.7 P x 10L screws

Installation tools

- Flat head screwdrivers
- Philips head screwdrivers
- Wire cutters



Figure 1: Product Overview (Unit: mm)

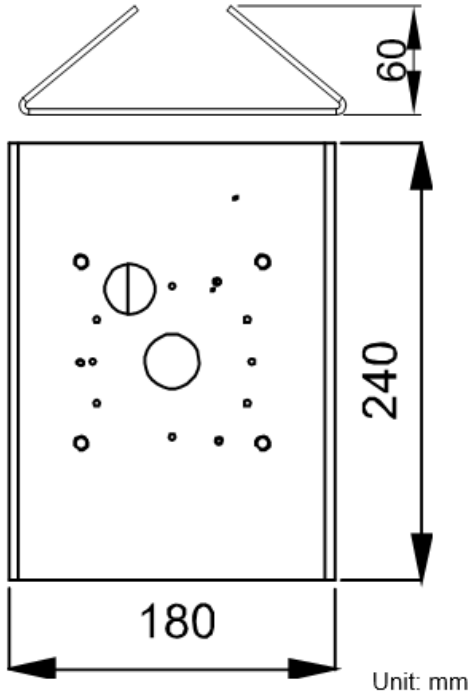


Figure 1

Figure 2: Pole mount hole pattern

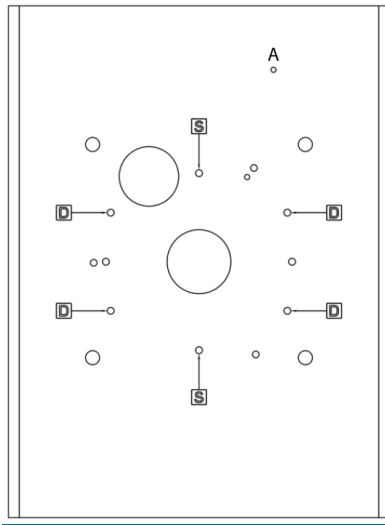


Figure 2

Table 1: Pole mount hole descriptions

Letter / hole on pole mount	Description
D	For use with a double gang electrical box
S	For use with a single gang electrical box
A	Attach the camera safety wire screw here

Figure 3: Adaptor plate hole pattern

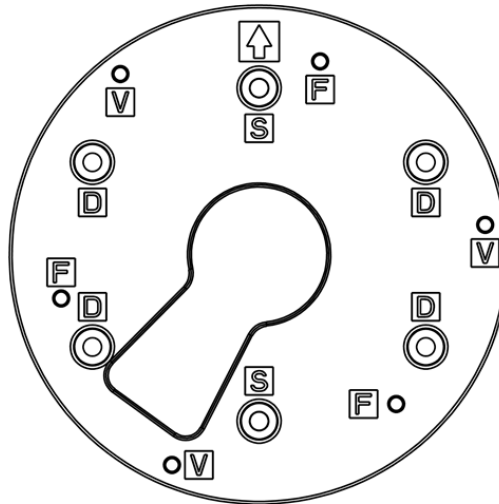


Figure 3

Table 2: Adaptor plate hole descriptions

Letter / hole on pole mount	Description
V	For use with the Varifocal Dome
F	For use with the Fixed Dome

Assembling the pole mount

A. Thread the two metal straps (1) (Figure 4) through the four holes on the pole mount (2) (Figure 4).

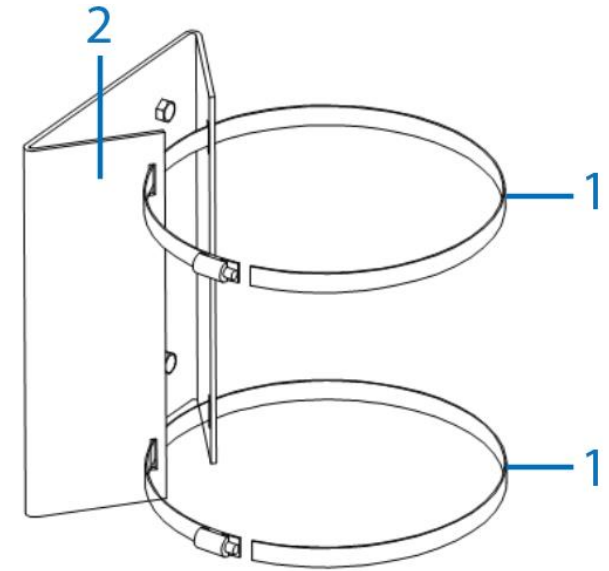


Figure 4

Attaching the pole mount to a pole

A. Expand the two metal straps around the pole (1) (Figure 5).
B. Adjust the two straps and pole mount into the desired position.
C. Use a flat head screw driver (2) (Figure 5) and rotate the two screws on both metal straps until the mount is securely attached to the pole.

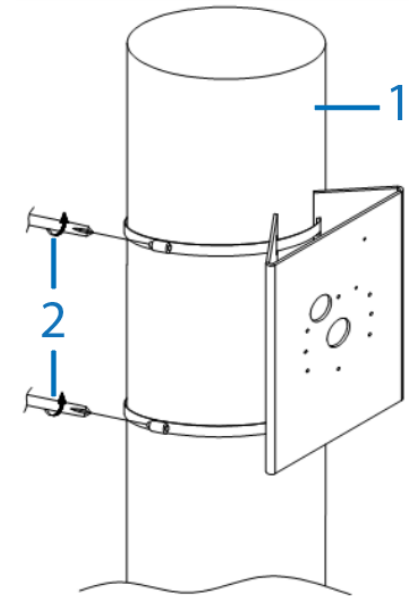


Figure 5

Attaching the varifocal dome to the pole mount

- A. Assemble the pole mount as per step A in that procedure.
- B. Attach the pole mount to the pole as per steps A to C in that procedure.
- C. Hold the adaptor plate (1) (Figure 6) up to the pole mount and align the four 'D' holes on the adaptor plate with the four holes on the pole mount.

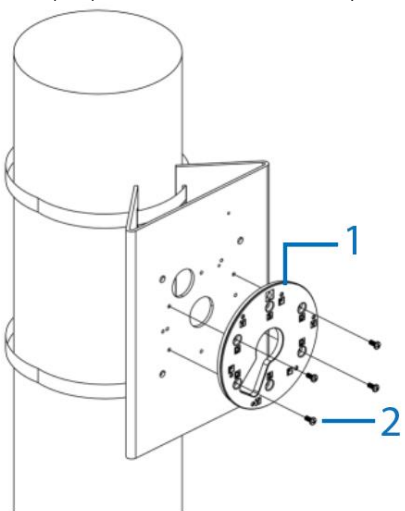


Figure 6

- D. Insert the four M4 x 0.7P 10L screws (2) (Figure 6) into the four holes and securely attach the adaptor plate to the pole mount.
- E. Remove the three screws on the camera dome cover and remove the dome from the camera base.

Attaching the varifocal dome to the pole mount (continued)

- F. Hold the camera base (1) (Figure 7) up to the adaptor plate and align the three holes on the camera base with the three 'V' holes on the adaptor plate.

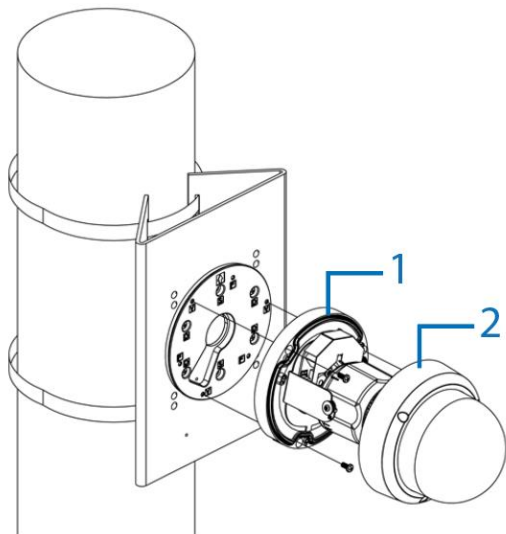


Figure 7

- G. Insert the three M4 x 0.7P 10L screws into the three holes and securely attach the camera base to the adaptor plate.
- H. Insert the three dome cover screws into the three holes on the dome cover (2) (Figure 7) and securely attach it to the camera base.

Attaching the fixed dome to the pole mount

- A. Assemble the pole mount as per step A in that procedure.
- B. Attach the pole mount to the pole as per steps A to C in that procedure.
- C. Hold the adaptor plate (1) (Figure 6) up to the pole mount and align the four 'D' holes on the adaptor plate with the four holes on the pole mount.
- D. Insert the four M4 x 0.7P 10L screws (2) (Figure 6) into the four holes and securely attach the adaptor plate to the pole mount.
- E. Remove the three screws on the camera dome cover and remove the dome from the camera base.
- F. Hold the camera base (1) (Figure 8) up to the adaptor plate and align the three holes on the camera base with the three 'F' holes on the adaptor plate.

Attaching the fixed dome to the pole mount (continued)

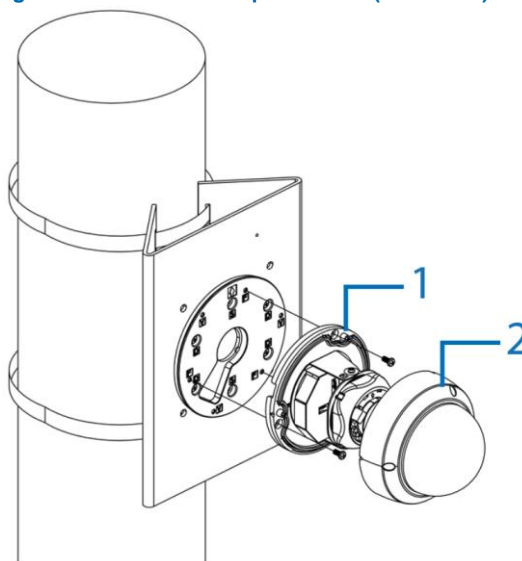


Figure 8

- G. Insert the three M4 x 0.7P 10L screws into the three holes and securely attach the camera base to the adaptor plate.
- H. Insert the three dome cover screws into the three holes on the dome cover (2) (Figure 8) and securely attach it to the camera base.

Table 3: Specification

Material	Aluminium
Color	White
Dimensions (WxHxD)	179mm x 240mm x 60mm
Weight	0.8kg

Warnings

- When using in an outdoor environment, a safety wire must be connected to the camera with the safety wire screw hole on the pole mount bracket. This will avoid personal hazards if the camera falls from pole mount accidentally.
- Make sure there are no damaged parts prior to assembly.

© 2021 Johnson Controls. All rights reserved.

JOHNSON CONTROLS, TYCO, Essentials Gen 4, and ILLUSTRATION are trademarks and/or registered trademarks. Unauthorized use is strictly prohibited.