

Quick Start Guide

(8200-1929-09_A0)

Essentials Gen4 Fixed Dome & Fixed and Varifocal Bullet Cameras Mini Junction Box (IBJB-E-IS50-40)

In the box

- 1 x Adapter plate
- 1 x Junction box
- 4 x Screw anchors
- 4 x TP4 25mm Tapping screws
- 1 x Mounting template
- 1 x Waterproof rubber sealing
- 1 x Waterproof compression gland
- 1 x T10 Torx wrench
- 1 x Holding bracket plate
- 3 x M4 x 0.5P 5mm screws
- 3 x M4 x 0.7 x 10L screws
- 3 x M4 x0.7P x 8 SUS 304 screws
- 1 x Plastic rubber cap

Installation tools

- Drill / Wire cutters
- Philips Head screwdrivers / Hammer



Mounting the junction box to a surface

- Place the mounting template on the surface that you want to attach the junction box and drill four holes (diameter = 6mm, depth = 30mm) as per the instructions on the template.
Note: The number of holes required depends on if you are using a double gang or single gang electrical box.
- Use a hammer to insert the four screw anchors (1) (Figure 3) into the four holes.
- Hold the junction box (2) (Figure 3) up to the surface and align the four holes on the junction box with the four holes on the surface.
- Insert the four TP4 25mm tapping screws (3) (Figure 3) into the four holes and securely attach the junction box to the surface.

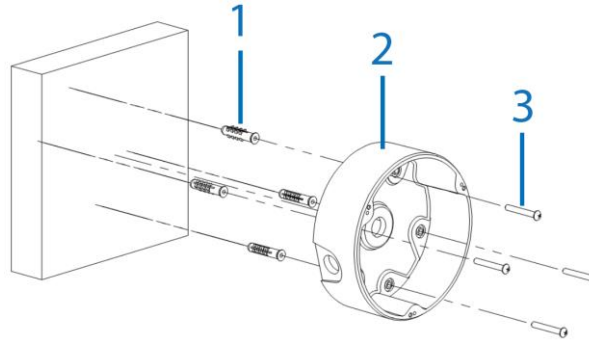


Figure 3

Inserting the camera cable into the junction box

Depending on the installation environment you can insert the camera cable one of two ways into the junction box.

Attaching the Fixed Dome camera to the junction box (continued)

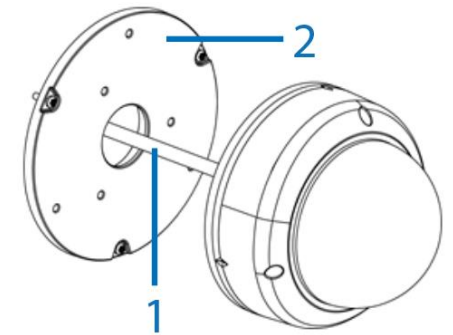


Figure 6

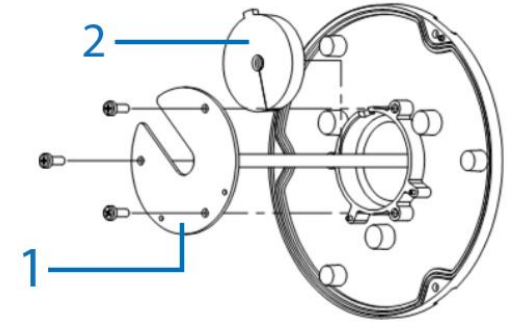


Figure 7

Figure 1: Product Overview (Unit: mm)

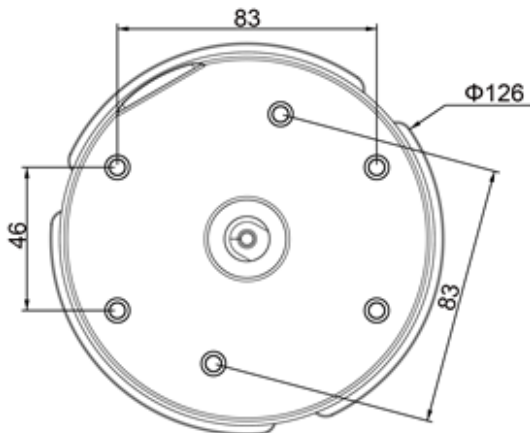


Figure 1

Figure 2: Product Overview (Unit: mm)



Figure 2

Inserting the camera cable into the junction box (continued)

- Insert the camera cable through the hole at the bottom of the junction box (Figure 4) **or** use the cable side entry hole (Figure 5) on the junction box.
- Insert the camera cable into the waterproof compression gland (1) (Figure 4 / Figure 5) and securely insert the compression gland into the hole at the bottom of the junction box **or** the cable side entry hole on the junction box.
- Insert the waterproof rubber sealing cap into the cable hole that you are **not** using on the junction box.

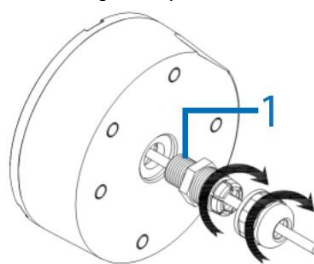


Figure 4

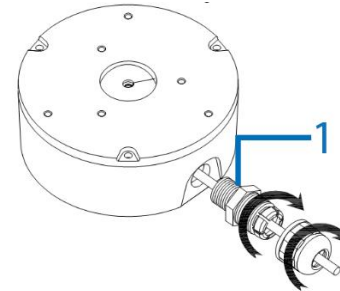


Figure 5

Attaching the Fixed Dome camera to the junction box

- Mount the junction box to a surface** as per steps A to D in that procedure.
- Remove the three screws on the camera dome cover and remove the dome from the camera base.
- Run the camera cable (1) (Figure 6) through the hole on the adaptor plate (2) (Figure 6) and place the adaptor plate up into the rear of the camera base.
- Insert the camera cable through the waterproof rubber seal (2) (Figure 7) and holding bracket plate (1) (Figure 7) and securely attach the holding bracket plate to the adaptor plate with the three M3 x 0.5P 5mm screws.

Attaching the Fixed Dome camera to the junction box (continued)

- Insert the camera cable into the junction box** as per steps A to C in that procedure.
- Align the three holes on the adaptor plate with the three holes on the junction box.
- Insert the three T10 screws into the three holes and use the T10 Torx wrench to securely attach the adaptor plate (2) (Figure 8) to the junction box (1) (Figure 8).

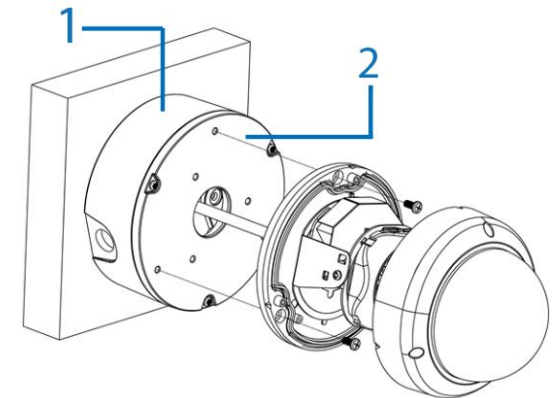


Figure 8

- Hold the camera base up to the adaptor plate and align the three holes on the adaptor plate with the three holes on the camera base.
- Insert the three M4 x 0.7P x 8 SUS 304 screws into the three holes and securely attach the camera base to the adaptor plate.
- Insert the three dome cover screws into the three holes on the dome cover and securely attach it to the camera base.

Attaching the Fixed Bullet camera to the junction box

- Mount the junction box to a surface as per steps A to D in that procedure.
- Run the camera cable through the hole on the adaptor plate (1) (Figure 9).
- Hold the camera base (2) (Figure 9) up to the adaptor plate and align the three holes on the camera base with the three holes on the adaptor plate.

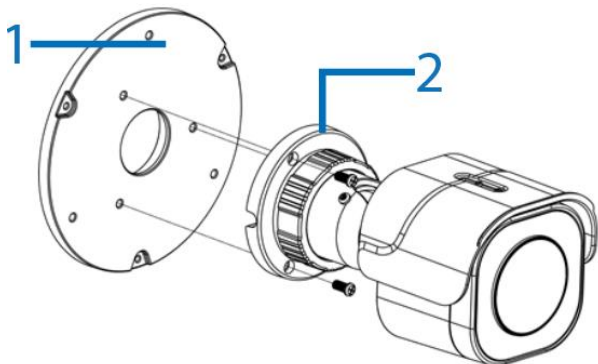


Figure 9

- Insert the three M4 x 0.7 x 8 SUS screws into the three holes and securely attach the camera base to the adaptor plate.
- Insert the camera cable through the waterproof rubber seal (2) (Figure 7) and holding bracket plate (1) (Figure 7) and securely attach the adaptor plate to the camera base with the three M3 x 0.5P 5mm screws.
- Insert the camera cable into the junction box as per steps A to C in that procedure.

Attaching the Varifocal Bullet camera to the junction box

- Mount the junction box to a surface as per steps A to D in that procedure.
- Run the camera cable through the hole on the adaptor plate (1) (Figure 11).
- Hold the camera base (2) (Figure 11) up to the adaptor plate and align the three holes on the camera base with the three holes on the adaptor plate.

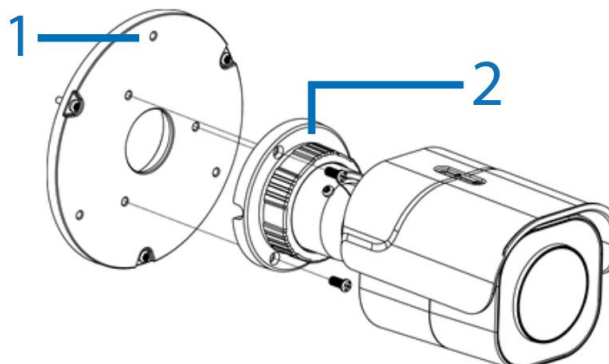


Figure 11

- Insert the three M4 x 0.7 x 8 SUS screws into the three holes and securely attach the camera base to the adaptor plate.
- Insert the camera cable through the waterproof rubber seal (1) (Figure 7) and holding bracket plate (2) (Figure 7) and securely attach the adaptor plate to the camera base with the three M3 x 0.5P 5mm screws.
- Insert the camera cable into the junction box as per steps A to C in that procedure.

Attaching the Fixed Bullet camera to the junction box (continued)

- Align the three holes on the camera base (2) (Figure 10) with the three holes on the junction box (1) (Figure 10).
- Insert the three T10 screws into the three holes and use the T10 Torx wrench to securely attach the camera to the junction box.

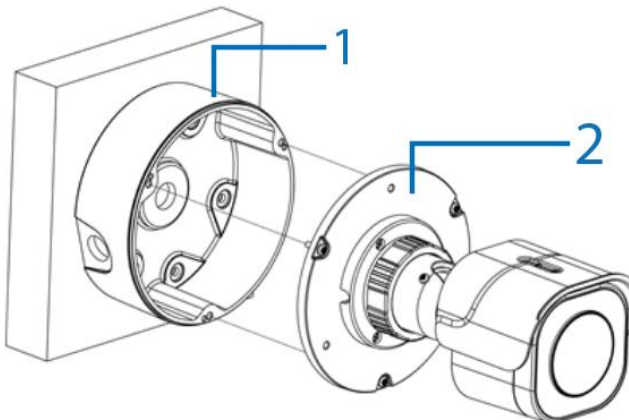


Figure 10

Attaching the Varifocal Bullet camera to the junction box (continued)

- Align the three holes on the camera base (2) (Figure 12) with the three holes on the junction box (1) (Figure 12).
- Insert the three T10 screws into the three holes and use the T10 Torx wrench to securely attach the camera to the junction box.

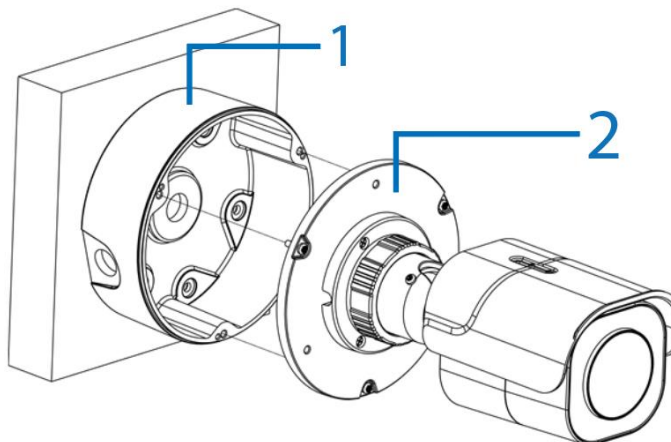


Figure 12

Table 1: Specification

Material	Aluminium
Color	White
Dimensions (HxD)	2.07 x 4.96 inches (52.5 x 126 mm)
Weight	0.5 kg

Warnings

- The holes for wall / surface mount are of diameter ϕ 6 mm. Please use screws of ϕ 5-5.5mm, and make sure the drilled holes are of correct size to ensure proper installation.
- When drilling the hole, please make sure the wall / surface thickness is greater than 50mm in order to maintain its structural integrity.
- Make sure there are no damaged parts prior to assembly.