

Quick Start Guide

(8200-1929-11\_A0)

Essentials Gen4 Outdoor Varifocal Dome Recessed Mount (IBCR-E-IS-40)

In the box

- 1 x Ceiling Mount
- 1 x Ceiling Plate
- 1 x Essentials Adapter Plate
- 1 x Mounting Template
- 3 x M4x0.7Px10L screws

Installation tools

- Ceiling hole cutter
- Philips Head screwdriver
- Wire cutters



Installing the recessed mount and camera into a ceiling

- Place the mounting template on the ceiling that you want to attach the camera and cut out a 7.8 inch hole as per the instructions on the template.
- Insert the Essentials adaptor plate (1) (Figure 2) into the recessed mount (2) (Figure 2) and align the four 'D' holes on the adaptor plate with the four holes on the recessed mount.
- Insert the four screws (that come pre-assembled on the adaptor plate) into the four holes in the recessed mount and securely attach the adaptor plate to the recessed mount.
- Insert the recessed mount into the ceiling hole and use a screw-driver to tighten the two screws (1) (Figure 3) until the two locking arms (2) (Figure 3) extend out fully and the mount is securely attached to the ceiling tile.

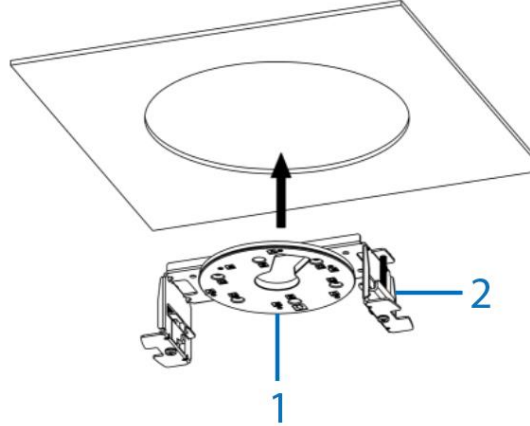


Figure 2

Installing the recessed mount and camera into a ceiling (continued)

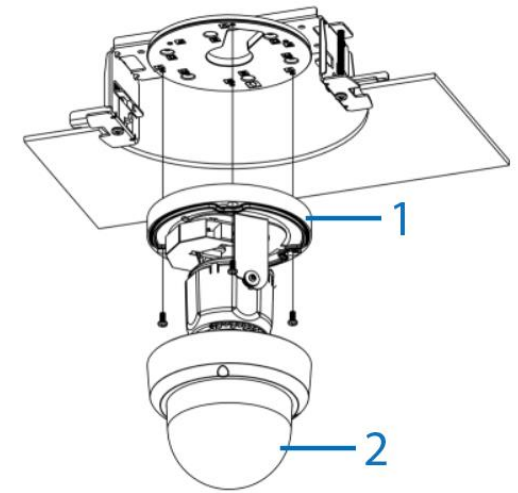


Figure 4

- Hold the dome cover (2) (Figure 4) up to the camera base and align the three holes on the dome cover with the three holes on the camera base.
- Insert the three screws into the three holes and securely attach the dome to the camera base.
- Hold the ceiling plate (1) (Figure 5) up to the dome and attach both spring hook wires (2) (Figure 5) on the ceiling plate to both connection slots (Figure 6) within the ceiling mount.

Figure 1: Product Overview (Unit: mm)

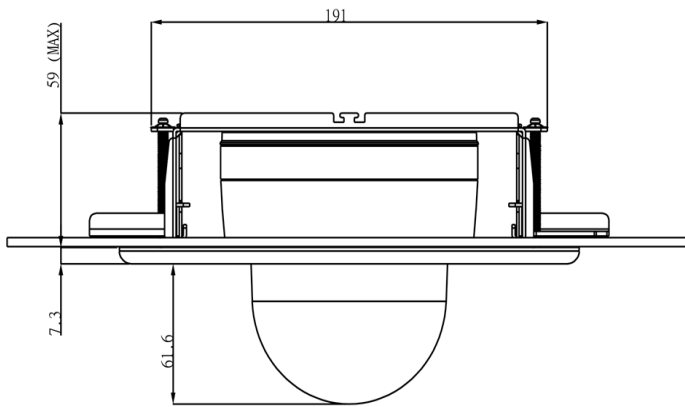


Figure 1

Installing the recessed mount and camera into a ceiling (continued)

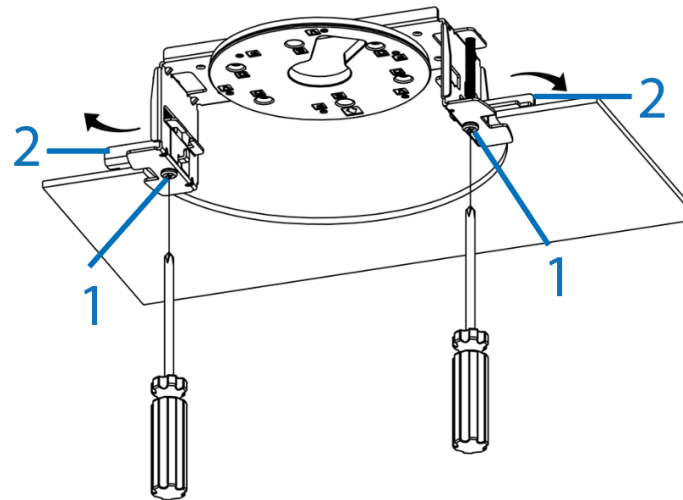


Figure 3

- Hold the camera base (1) (Figure 4) up to the adaptor plate and align the three holes on the camera base with the three 'V' holes on the adaptor plate.
- Insert the three M4 x 0.7P 10L screws into the three holes and securely attach the camera base to the adaptor plate.

Installing the recessed mount and camera into a ceiling (continued)

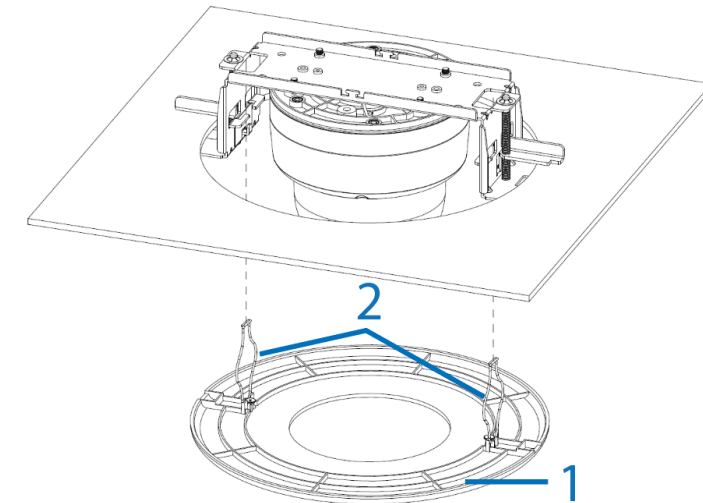


Figure 5

- Push the ceiling plate up onto the ceiling until it clicks into place and securely attaches to the recessed mount.

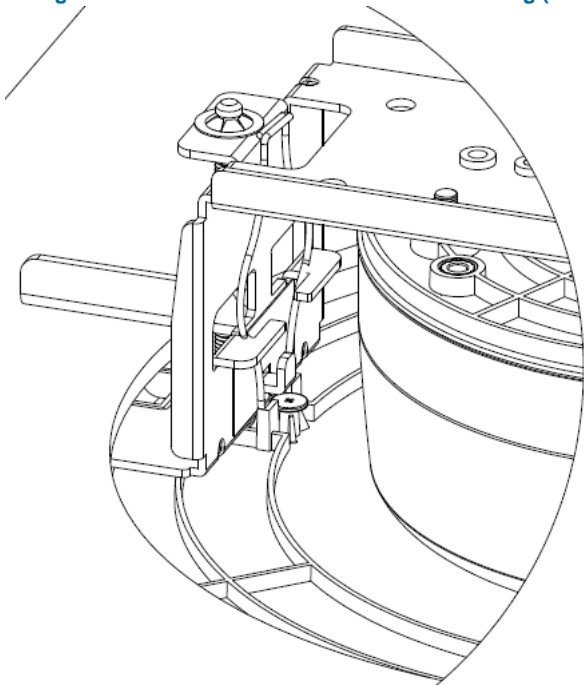


Figure 6

Table 1: Specification

Material	Aluminium
Color	White
Dimensions	Ceiling Mount: 63mm x 250.5mmx60.5 Ceiling Plate: inner - $\Phi$ 100, outer - $\Phi$ 222
Weight	0.5kg

**Warnings**

- The hole for the ceiling mount is of diameter  $\Phi$ 198mm. Please make sure the hole is the correct size for proper mount.
- When cutting the hole, please make sure the ceiling thickness is no more than 35mm to maintain its structural integrity.
- Make sure there are no damaged parts prior to assembly.