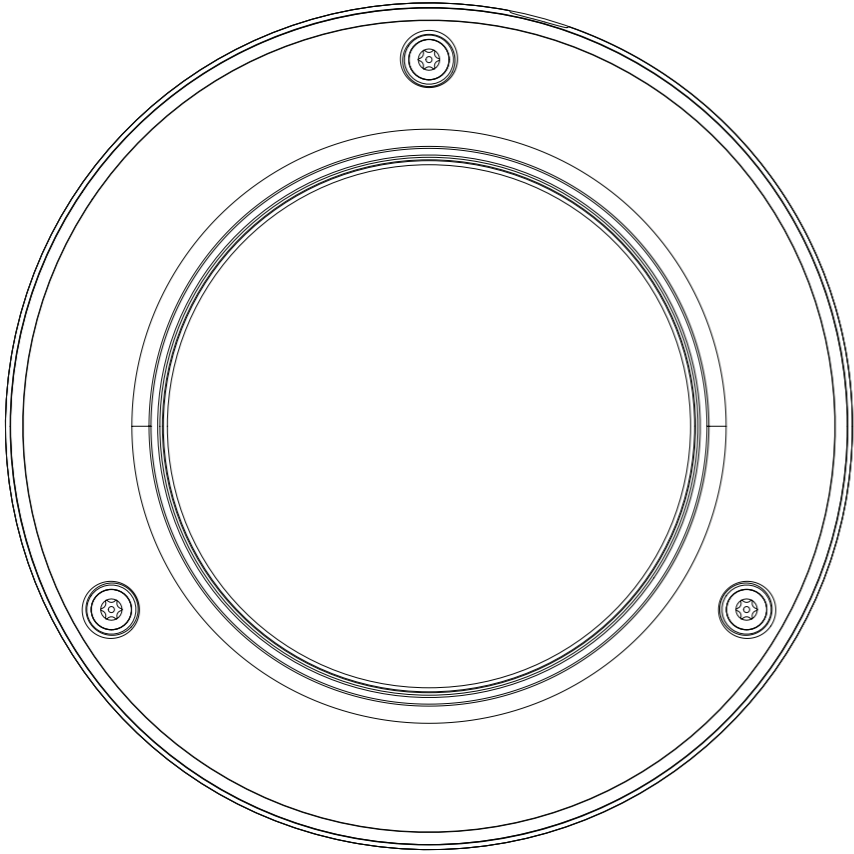
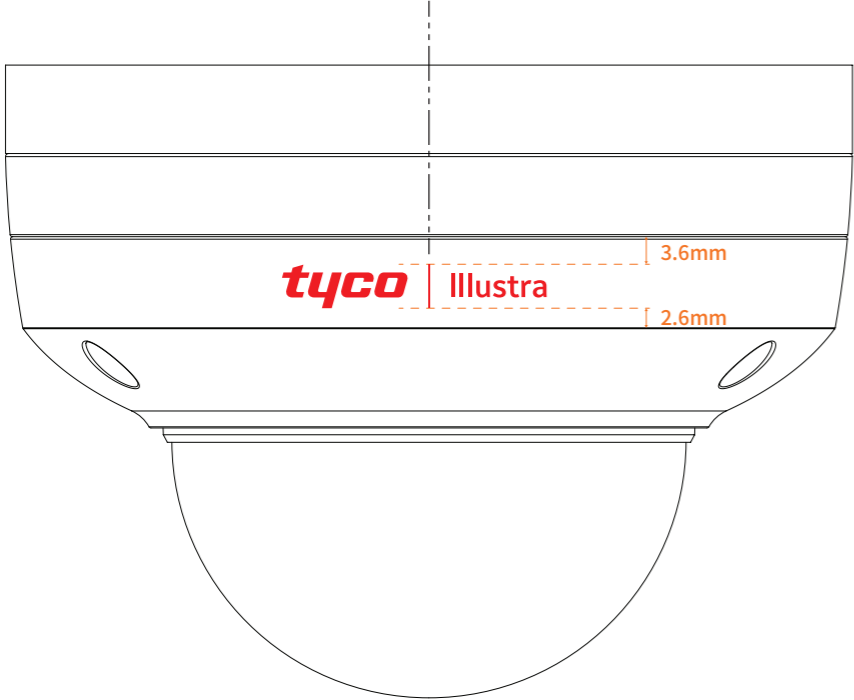


SCALE : 100%



▲
LOGO



NO.	PART NAME
1	TOP COVER
2	BOTTOM COVER
3	MOUNT PLATE
4	FRAME BODY
5	HOLDER TILT/IR /LENS FRAME PAN

