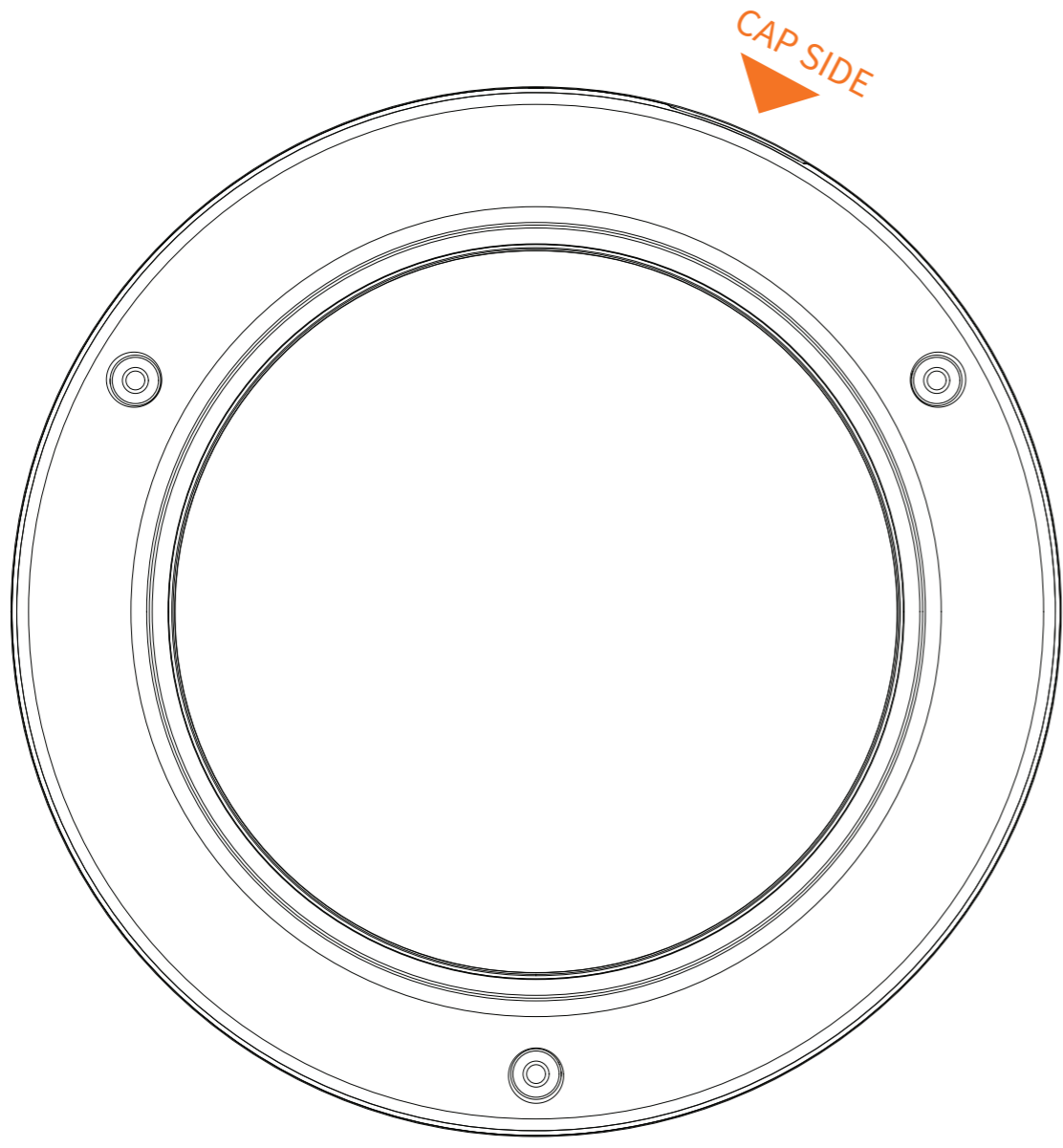
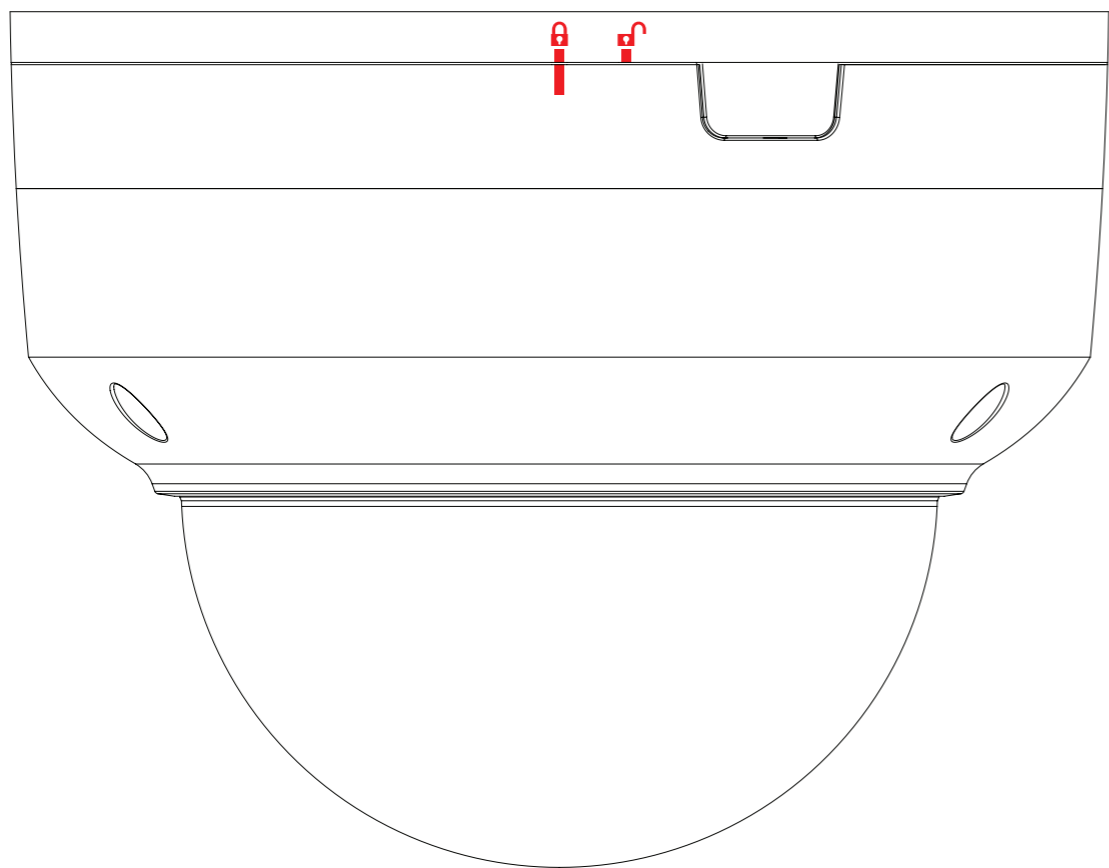
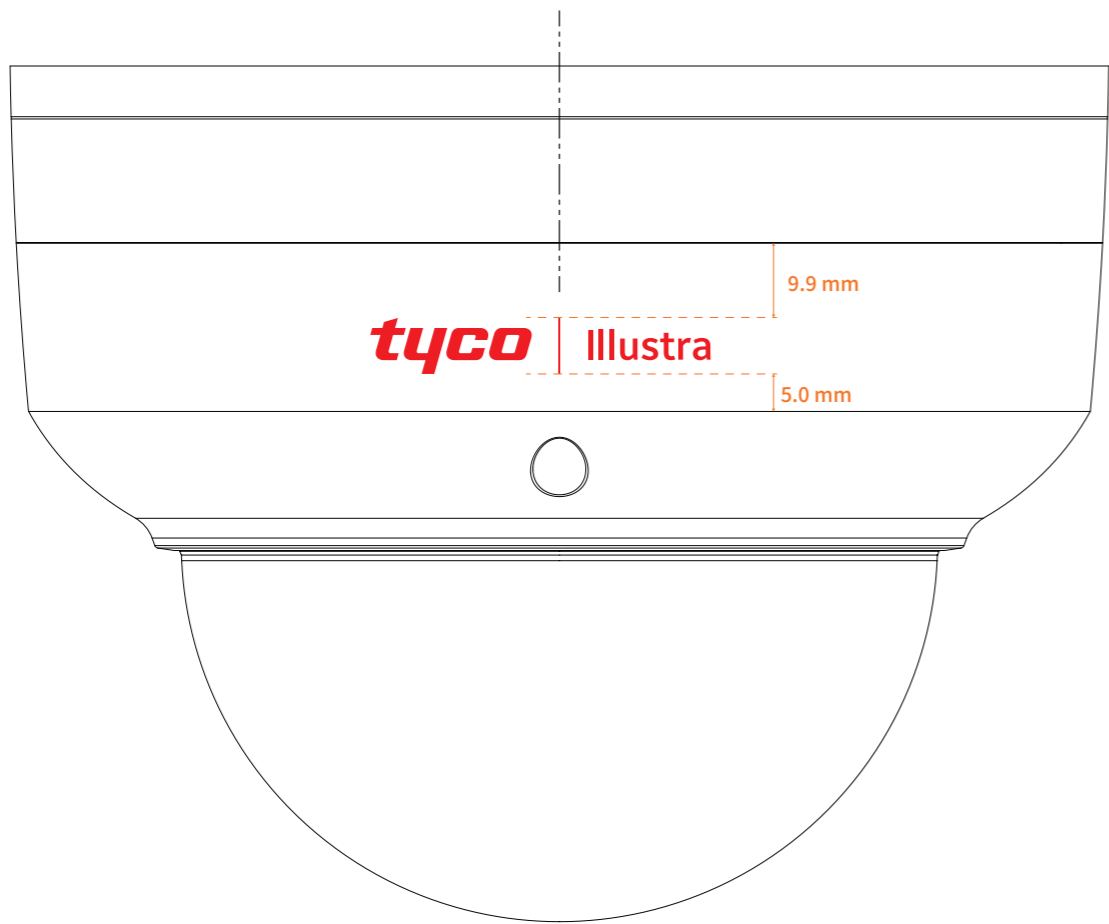


SCALE : 100%



LOGO



| NO. | PART NAME |
|-----|--------------|
| 1 | TOP COVER |
| 2 | BOTTOM COVER |
| 3 | CAP SIDE |
| 4 | MOUNT PLATE |
| 5 | FRAME BODY |
| 6 | HOLDER TILT |
| 7 | HOLDER IR |
| 8 | HOLDER LENS |
| 9 | FRAME PAN |

