

Quick Start Guide

(8200-1929-07_A0)

Essentials Gen4 Fixed & Varifocal Dome Cameras Junction Box (IBJB-E-IS75-40)

In the box

- 1 x Junction box
- 1 x Essential Adapter plate
- 6 x TP4 Screw anchors
- 6 x TP4 Tapping screws
- 1 x Mounting template
- 1 x Waterproof rubber sealing
- 1 x Rubber grommet
- 1 x Torx wrench
- 1 x Holding bracket plate
- 3 x M2 x 6.5mm BK screws
- 3 x M4 x 0.7P x 10L screws
- 4 x M4 x0.7P x 8L SUS 304 screws

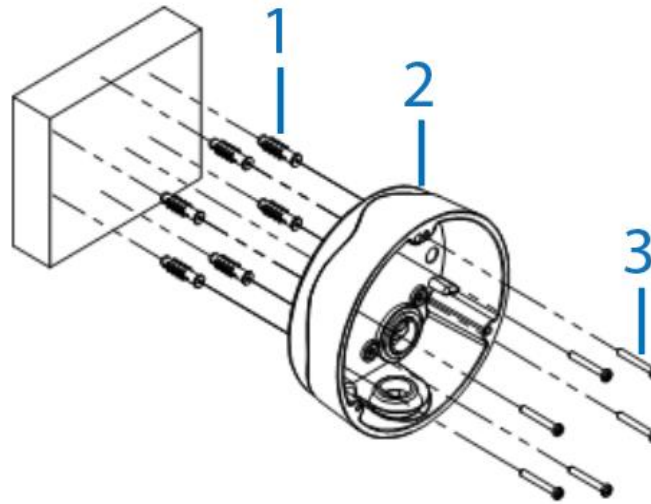
Installation tools

- Drill & Philips Head screwdrivers
- Wire cutters & Hammer



Mounting the junction box to a surface

- Place the mounting template on the surface that you want to attach the junction box and drill six holes as per the instructions on the template.
- Use a hammer to insert the six screw anchors (1) (Figure 3) into the six holes.
- Hold the junction box (2) (Figure 3) up to the surface and align the six holes on the junction box with the six holes on the surface.
- Insert the six TP4 tapping screws (3) (Figure 3) into the six holes and securely attach the junction box to the surface.



Attaching the EG4 Fixed Dome camera to the junction box (continued)

- Place the camera cable (1) (Figure 5) through the hole in the center of the adaptor plates.
- Hold the camera base (2) (Figure 5) up to the adaptor plates and align the three holes on the camera base with the three holes on the adaptor plates.
- Insert the three M4 x 0.7P x 10L screws (3) (Figure 5) into the three holes and securely attach the camera base to the adaptor plates.

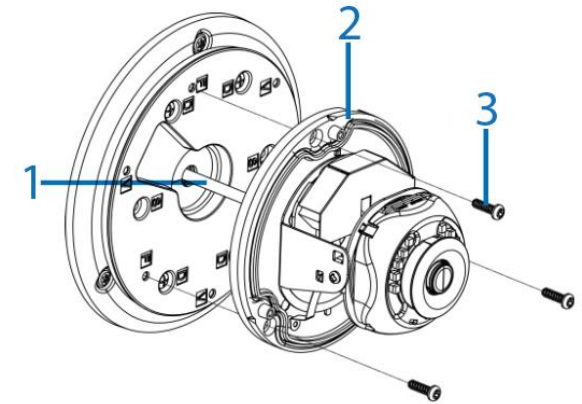


Figure 5

- Insert the camera cable through the waterproof rubber seal (1) (Figure 6) and holding bracket plate (2) (Figure 6) and securely attach the bracket plate to the camera base with the three M2 x 6.5mm BK screws.

Figure 1: Product Overview (Unit: mm)

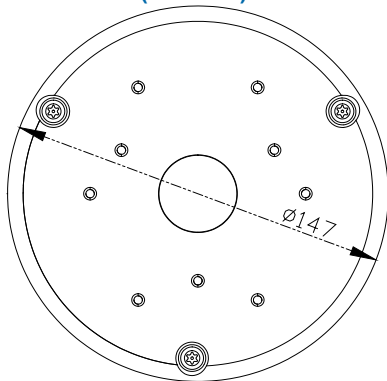


Figure 1

Figure 2: Product Overview (Unit: mm)

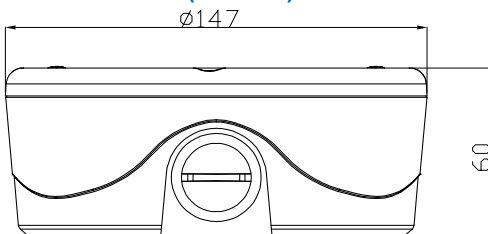


Figure 2

Attaching the camera adaptor plate to the junction box adaptor plate

- Hold the Essentials adaptor plate (2) (Figure 4) up to the junction box adaptor plate (1) (Figure 4) and align the four holes on both plates.
- Insert the four M4 x 0.7 x 8L SUS 304 screws into the four holes and securely attach them both together.

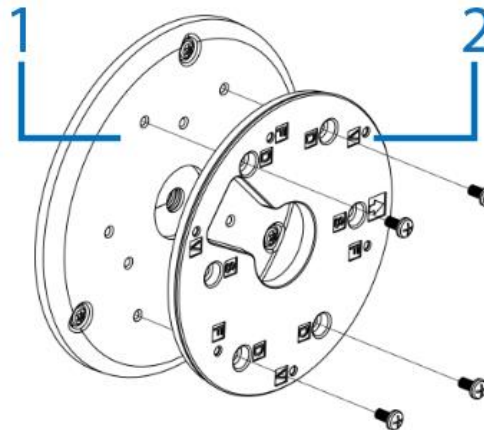


Figure 4

Attaching the EG4 Fixed Dome camera to the junction box

- Mount the junction box to a surface** as per steps A to D in that procedure.
- Attach the camera adaptor plate to the junction box adaptor plate** as per steps A and B in that procedure.

Attaching the EG4 Fixed Dome camera to the junction box (continued)

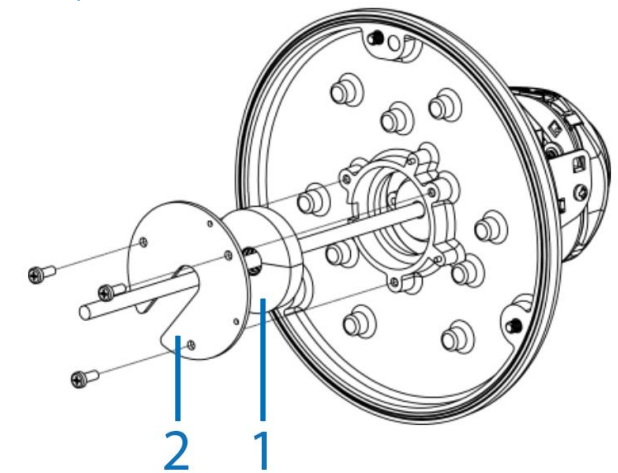


Figure 6

- Place the camera cable through the hole in the junction box or through the cable side entry hole on the side of the junction box.
- Align the three holes on the camera base with the three holes on the junction box and insert the three T20 screws into the three holes and securely attach the camera base to the junction box.
- Hold the camera dome (1) (Figure 7) up to the camera base and align the three holes on the dome with the three holes on the camera base, insert the three dome screws into the three holes and securely attach the dome to the camera base.

Attaching the EG4 Fixed Dome camera to the junction box (continued)

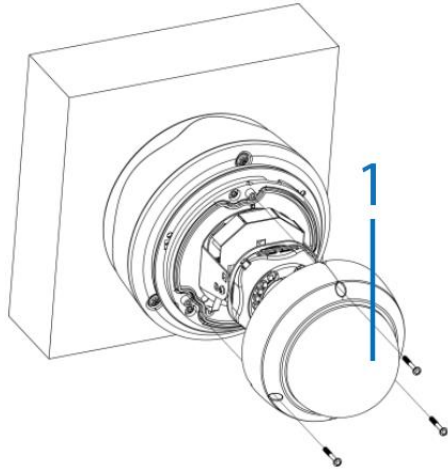


Figure 7

Attaching the EG4 Varifocal Dome camera to the junction box

- A. Mount the junction box to a surface as per steps A to D in that procedure.
- B. Attach the camera adaptor plate to the junction box adaptor plate as per steps A and B in that procedure.
- C. Place the camera cable (1) (Figure 8) through the hole in the center of the adaptor plates.

Attaching the EG4 Varifocal Dome camera to the junction box (continued)

- H. Align the three holes on the camera base with the three holes on the junction box and insert the three T20 screws into the three holes and securely attach the camera base to the junction box.
- I. Hold the camera dome (1) (Figure 9) up to the camera base and align the three holes on the dome with the three holes on the camera base, insert the three dome screws into the three holes and securely attach the dome to the camera base.

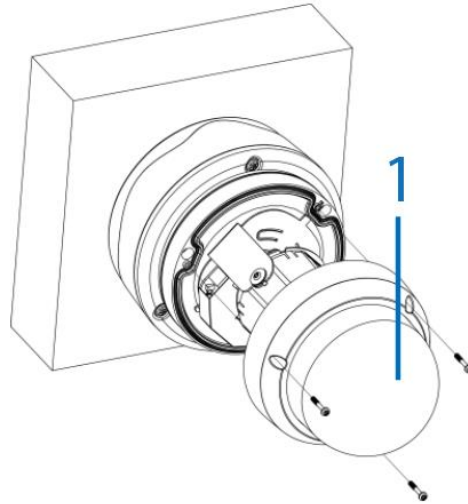


Figure 9

Attaching the EG4 Varifocal Dome camera to the junction box (continued)

- D. Hold the camera base (1) (Figure 8) up to the adaptor plates (2) (Figure 8) and align the three holes on the camera base with the three holes on the adaptor plates.
- E. Insert the three M4 x 0.7P x 10L screws (3) (Figure 8) into the three holes and securely attached the camera base to the adaptor plates.

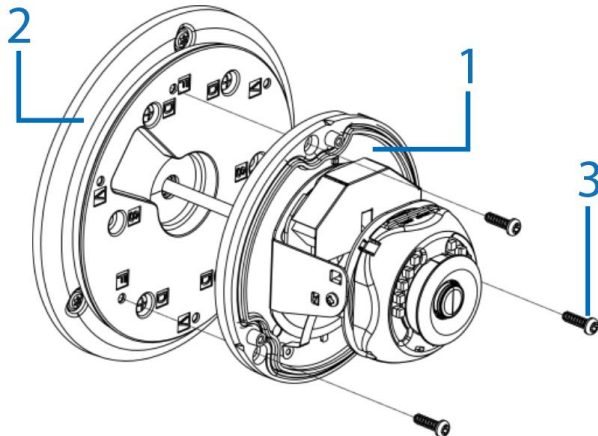


Figure 8

- F. Insert the camera cable through the waterproof rubber seal (1) (Figure 6) and holding bracket plate (2) (Figure 6) and securely attach the bracket plate to the camera base with the three M2 x 6.5mm BK screws.
- G. Place the camera cable through the hole in the junction box or through the cable side entry hole on the side of the junction box.

Table 1: Specification

Material	Aluminium
Color	White
Dimensions	147mm x 147mm x 60mm
Weight	0.8kg

Warnings

- It is advised to apply the 3M rubber tape on the required cables, which are slated for passing through either bottom or side conduit hole, for securing waterproof function.
- The holes for wall/surface mount are of diameter ϕ 10 mm. Please use screws of ϕ 8~9mm, and make sure the drilled holes are of correct size to ensure proper installation.
- When drilling the hole, please make sure the wall/surface thickness is greater than 50mm in order to maintain its structural integrity.
- Make sure there are no damaged parts prior to assembly.

© 2021 Johnson Controls. All rights reserved.

JOHNSON CONTROLS, TYCO, Essentials Gen 4, and ILLUSTRATE are trademarks and/or registered trademarks. Unauthorized use is strictly prohibited.