

Quick Start Guide

(8200-1929-08_A0)

Essentials Gen4 L-Shape Wall Mount Bracket (IBWS-E-IS-40)

Note: This wall mount is applicable with the EG4 Fixed and Varifocal Dome cameras.

In the box

- 1 x L-Shape wall mount bracket
- 1 x Essentials adaptor plate
- 4 x Screw anchors
- 4 x TP4x15mm Tapping screws
- 1 x Mounting template
- 7 x M4 x 0.7P x 10L screws

Note: You may require different screws than those supplied when attaching the L-Shape wall mount to different surfaces.

Installation tools

- Drill
- Philips Head screwdrivers
- Wire cutters



Figure 2: Product front view dimensions (unit: mm)

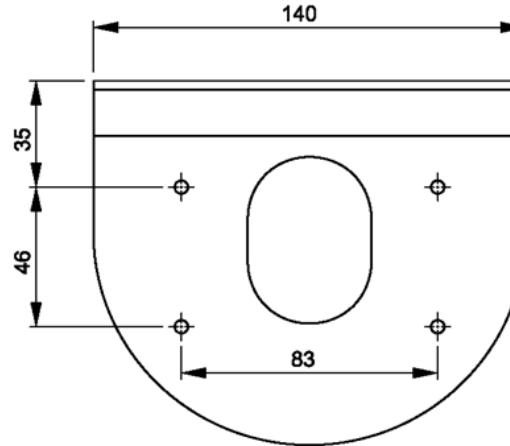


Figure 2

Table 1: L-Shape wall mount hole pattern descriptions

Wall Mount Letter	For use with
D	Double gang electrical box and the Essentials adaptor plate
S	Single gang electrical box and the Essentials adaptor plate

Mounting the L-Shape wall mount to a surface

- Place the mounting template on the surface that you want to attach the L-Shape wall mount and drill four holes (9mm wide x 40mm deep) as per the instructions on the template.
- Use a hammer to insert the four screw anchors (1) (Figure 4) into the four holes.
- Hold the L-Shape wall mount (2) (Figure 4) up to the surface and align the four holes on the L-Shape wall mount with the four holes on the surface.
- Insert the four TP4x15mm tapping screws (3) (Figure 4) into the four holes and securely attach the L-Shape wall mount to the surface.

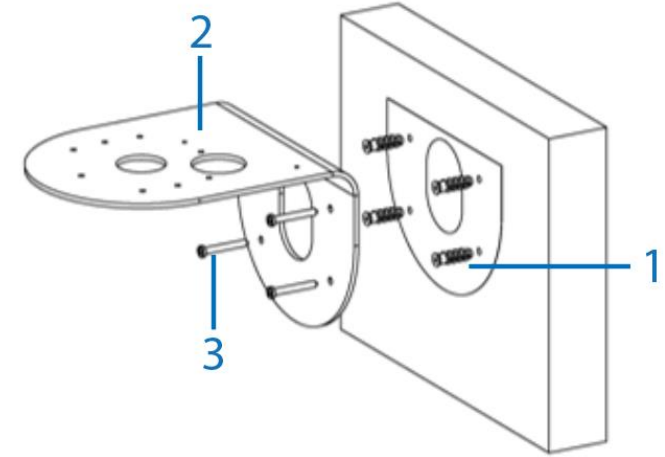


Figure 4

Figure 1: Product side view dimensions (unit: mm)

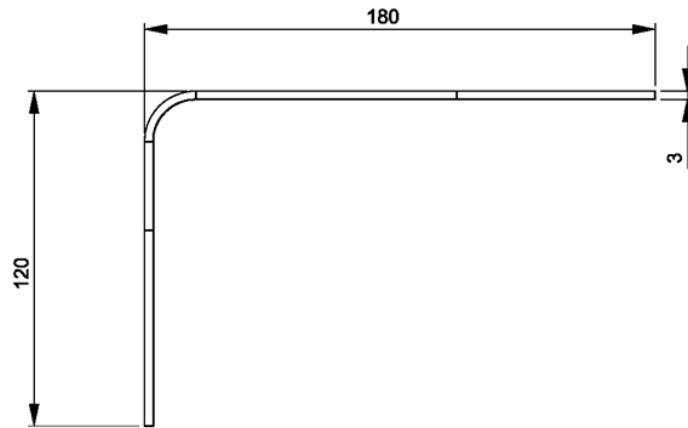


Figure 1

Figure 3: L-Shape wall mount hole patterns

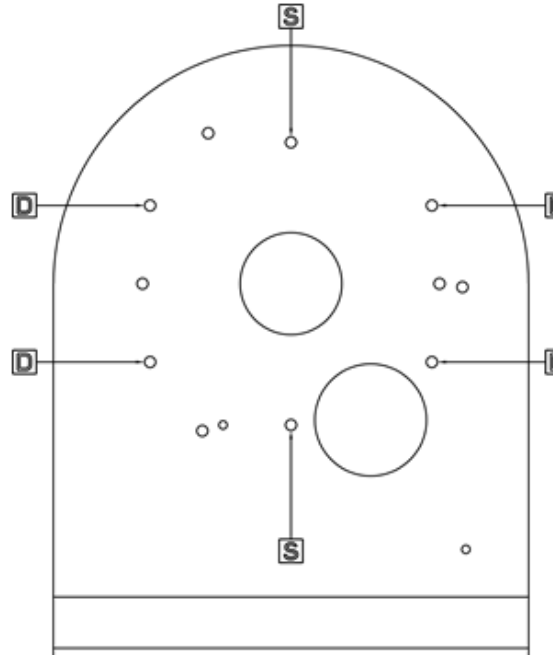


Figure 3

Attaching the camera adaptor plate to the L-Shape wall mount

- Hold the Essential adaptor plate (1) (Figure 5) up to the wall mount (2) (Figure 5) and align the four 'D' holes on the adaptor plate with the four holes on the wall mount.
- Insert the four M4 x 0.7P x 10L screws (3) (Figure 5) into the four holes and securely attach the adaptor plate to the L-Shape wall mount.

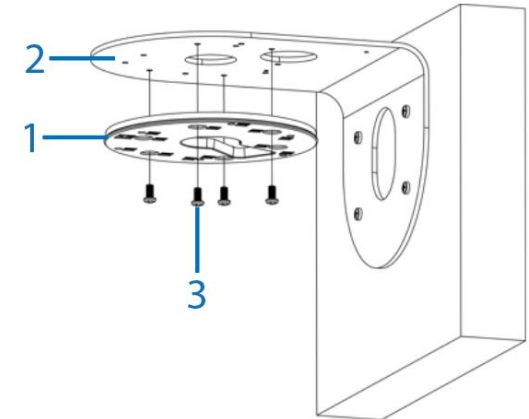


Figure 5

Attaching the Outdoor Fixed Dome camera to the L-Shape wall mount

- Mount the L-Shape wall mount to a surface as per steps A to D in that procedure.
- Attach the camera adaptor plate to the L-Shape wall mount as per steps A and B in that procedure.

Attaching the Outdoor Fixed Dome camera to the L-Shape wall mount (continued)

- C. Place the camera cable (1) (Figure 6) through the hole in the center of the adaptor plate.
- D. Hold the camera base (2) (Figure 6) up to the adaptor plate and align the three holes on the camera base with the three 'F' holes on the adaptor plate.
- E. Insert the three M4 x 0.7P x 10L screws (3) (Figure 6) into the three holes and securely attach the camera base to the adaptor plate.

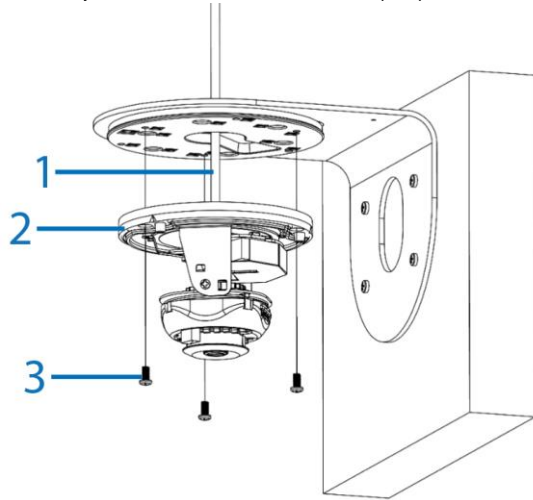


Figure 6

Attaching the Outdoor Varifocal Dome camera to the L-Shape wall mount

- A. **Mount the L-Shape wall mount to a surface** as per steps A to D in that procedure
- B. **Attach the camera adaptor plate to the L-Shape wall mount** as per steps A and B in that procedure.
- C. Place the camera cable (1) (Figure 8) through the hole in the center of the adaptor plate.
- D. Hold the camera base (2) (Figure 8) up to the adaptor plate and align the three holes on the camera base with the three 'V' holes on the adaptor plate.
- E. Insert the three M4 x 0.7P x 10L screws (3) (Figure 8) into the three holes and securely attach the camera base to the adaptor plate.

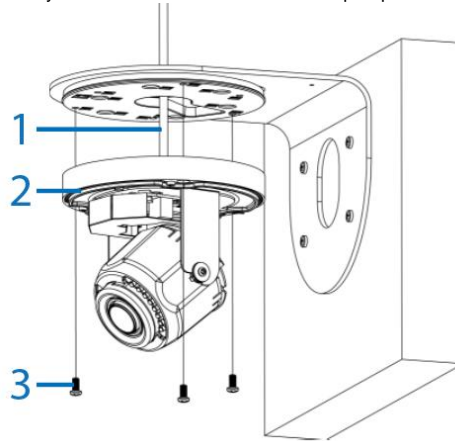


Figure 8

Table 2: Specification

Mechanical information	
Construction	Aluminium
Color	White
Dimensions (WxHxD)	140mmx120mmx180mm
Weight (kg)	0.4kg

Attaching the Outdoor Fixed Dome camera to the L-Shape wall mount (continued)

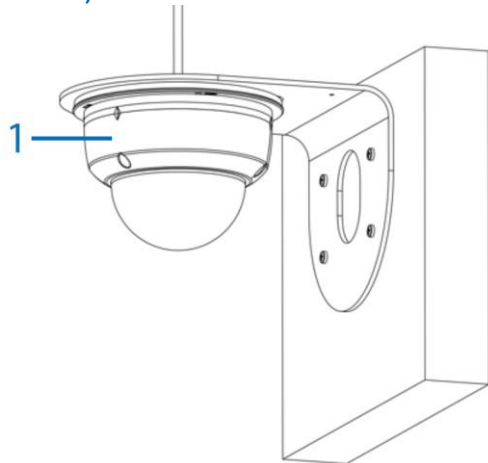


Figure 7

- F. Hold the camera dome (1) (Figure 7) up to the camera base and align the three holes on the dome with the three holes on the camera base, insert the three dome screws into the three holes and securely attach the dome to the camera base.

Attaching the Outdoor Varifocal Dome camera to the L-Shape wall mount (continued)

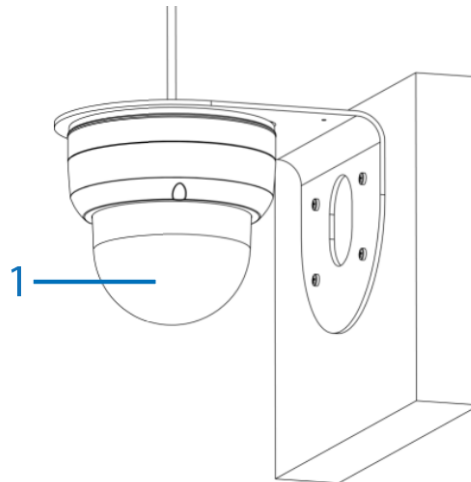


Figure 9

- F. Hold the camera dome (1) (Figure 9) up to the camera base and align the three holes on the dome with the three holes on the camera base, insert the three dome screws into the three holes and securely attach the dome to the camera base.

© 2021 Johnson Controls. All rights reserved.

JOHNSON CONTROLS, TYCO, Essential Gen 4, and ILLUSTRATE are trademarks and/or registered trademarks. Unauthorized use is strictly prohibited.