

Quick Start Guide
(8200-2076-05_A0)

Illustra Flex Gen4, 2MP, 4MP & 8MP Outdoor IR Dome cameras

Note: Please visit illustracameras.com for access to firmware updates that include new features, cyber-security enhancements and bug fixes.

In the box

- 1 x Flex Gen 4 Dome Camera
- 1 x Torx T10 Security L-Key
- 1 x Adaptor Plate (for use with pendant cap and electrical box)
- 3 x 18mm screws & 3 x Plastic screw anchors
- 2 x 8 mm screws (for use with the pendant cap)
- 1 x Desiccant bag
- 1 x Plastic side cover
- 1 x Waterproof cap
- 1 x Waterproof rubber insert
- 1 x Printed Regulatory Document & 1 x Printed QSG
- 1 x Mounting template sticker

Installation tools

- 1 x Screwdriver
- 1 x Drill
- 1 x Wire cutters



Table 1: Camera parts descriptions

Number	Description
1	Pre-Fitted RJ-45 cable
2	Camera bottom base
3	IR Board
4	Tilt adjustment bracket
5	Bubble assembly
6	Screw (Unscrew three screws to remove the housing)

Quick reference

- Default IP: 192.168.1.168 (DHCP enabled)
- Default Username / Password: admin / admin
- Power: PoE Class 3 or 24V AC / 50-60Hz / 0.6A

Figure 2: Camera interior buttons and I/O ports

Note: Use the T10 security L-Key to unscrew the three screws (6) (Figure 1) on the bubble assembly to access the interior buttons I/O ports.

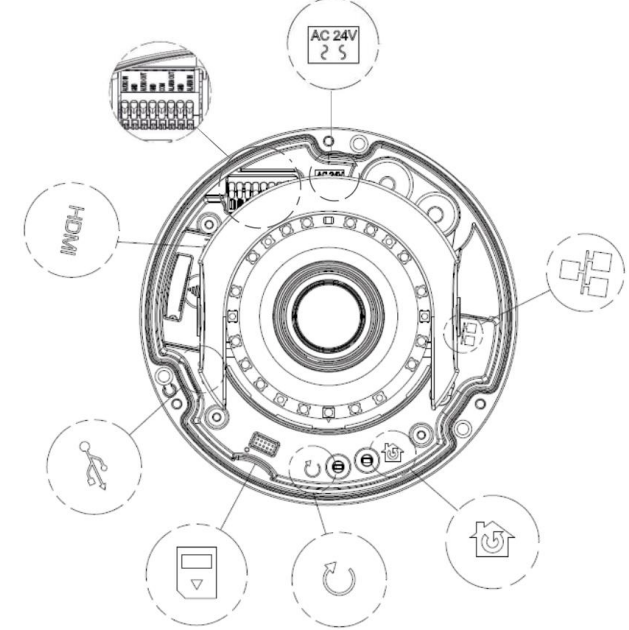


Figure 2

Figure 1: PG4 Outdoor IR Dome camera parts

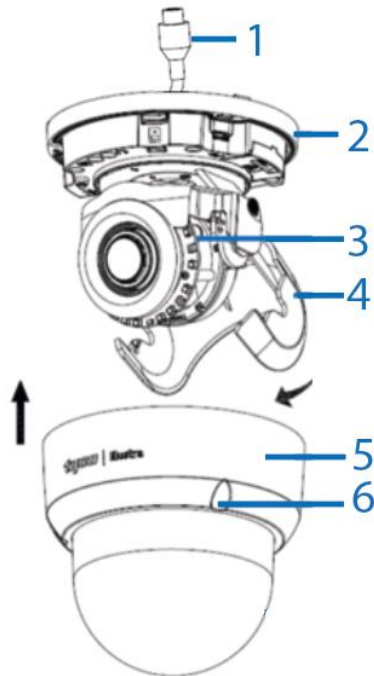


Figure 1

Table 2: Camera interior buttons and I/O ports

Icon	Description
	Resets to factory default. Press and hold for five seconds
	Reboots the unit
	Micro USB port connection
	Power over Ethernet (PoE) port
	Alarm / Audio pins (See Figure 3)
	24V AC
	HDMI Video out (requires HDMI cable, sold separately)
	Micro SD card slot

Figure 2: Audio and alarm pins and AC 24V connection (continued)

Note: Connectors and field wiring terminals for external Class 2 circuits provided with marking indicating minimum Class of wiring to be used. Class 2 shall be marked adjacent to the field wiring terminals.

Figure 3: Alarm and audio pin definitions

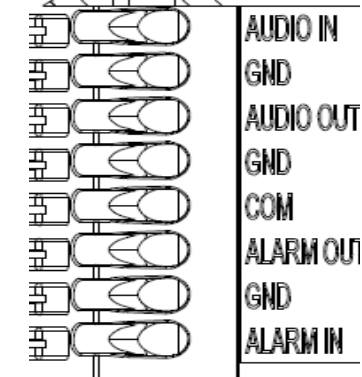


Figure 3

Mounting the camera

Refer to the Illustra mounting accessories webpage <https://www.illustracameras.com/products/accessories/mounts> for assistance. The following mount accessory part numbers are applicable with the Illustra Flex Gen4 2MP, 4MP and 8MP Outdoor Dome cameras: ADCi6DPCAPIW, IFDRECMNT, ADLOMARM, ADCDMPole, ADCDMCRNRO, and IBJB-F-4NSD-A.

Removing the bubble assembly from the camera base

1. Use the Torx T10 security key to unscrew the three captive screws on the bubble assembly (5) (Figure 1).
2. Lift the bubble assembly away from the camera bottom base.

Connecting the cables

The camera supports one of the following options as a power supply.

1. **AC 24V:** Connect the 24V (~) cables to terminals ~ AC 24V 'OR' cables
Power over Ethernet (PoE): Connect the RJ-45 jack to a PoE compatible network device that supplied power through the Ethernet cable.
 2. Insert the audio cable and alarm cable to the camera and connect the network cable to the RJ-45 terminal of a switch.
- Note:** The power source must be NEC Class 2 or LPS. The PoE connection should be provided by a UL listed product and the connections shall be made in accordance with Article 800 of the NEC or local regulations.

Installing the camera onto a wall or ceiling

1. Hold the guide pattern sticker up to the surface and drill three 6mm holes and if you are **not** using the cable side entry hole on the camera bottom case then cut out a cable entry hole on the surface as per the guide pattern.
Note: If you are not using the cable side entry hole then insert the side cover.
2. Use the Torx T10 security key to unscrew the three captive screws on the bubble assembly (5) (Figure 1).
3. Use a screwdriver to remove the safety lanyard screw that is attached to the bubble assembly. **Note:** The bubble assembly is now completely disconnected from the camera bottom base.
4. Use a hammer to insert the three plastic screw anchors into the holes.
5. Remove the three captive screws on the camera bottom base (1) (Figure 4).
6. Insert the camera power cables through the cable holes on the surface or the side entry hole on the camera bottom case.
7. Hold the camera bottom case up to the wall or ceiling and connect the cables to their respective ports on the camera. See the 'Connecting the cables section'.

Installing the camera onto a wall or ceiling (continued)

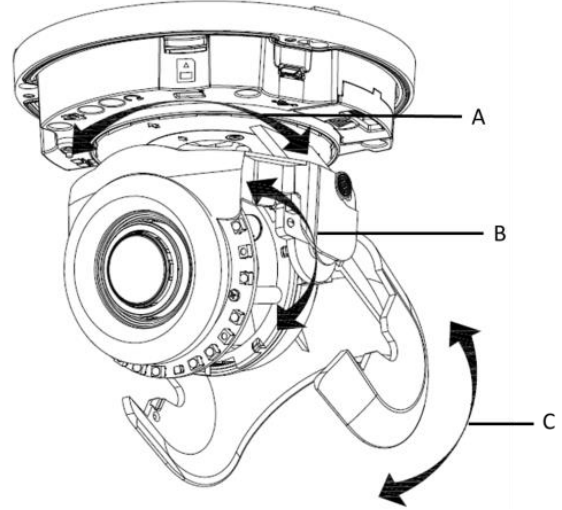


Figure 5

- Note:** Limitation for the three axis positions:
- Pan range: ±375°
 - Tilt range: 90°.
 - Rotation range (Lens): Motorized = 356°
11. Hold the bubble assembly up to the safety lanyard on the camera bottom base and align the hole on the safety lanyard with the hole on the bubble assembly.

Inserting the desiccant bag

1. Gently lift the tilt adjustment (C) (Figure 5).
2. Remove the desiccant from the packaging and insert the desiccant (1) (Figure 6) into the tilt adjustment.
3. Lower the tilt adjustment back into its original position.

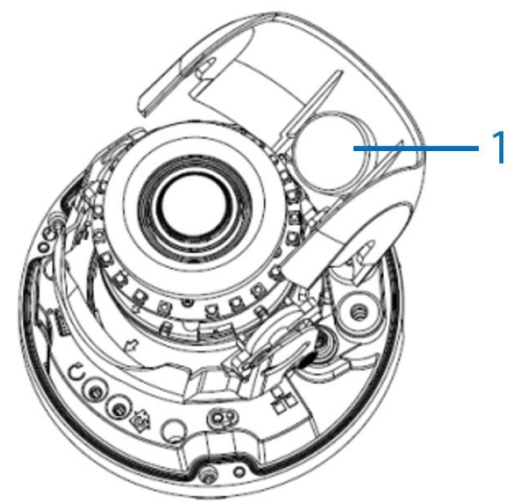


Figure 6

Installing the camera onto a wall or ceiling (continued)

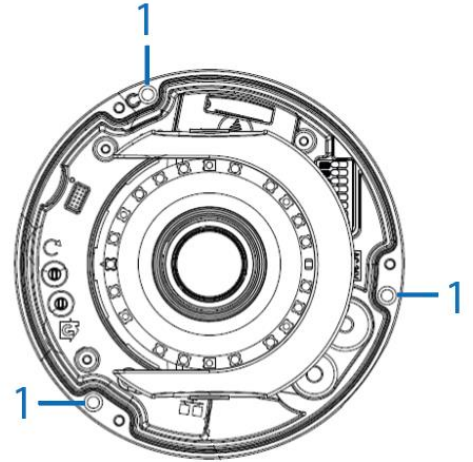


Figure 4

8. Align the three 6mm holes on the wall or ceiling with the three holes in the camera bottom case.
9. Insert the three 18mm screws into the holes and securely attach the bottom case to the wall or ceiling.
10. Adjust the camera lens position as follows. See Figure 5.
 - **Pan Adjustment (A):** Rotate the lens base until you are satisfied with the field of view.
 - **Tilt Adjustment (B):** Tilt the eye-ball assembly as needed.
 - **Rotate Adjustment (C):** Rotate the 3D assembly in the camera base.

Installing the camera onto a wall or ceiling (continued)

12. Insert the safety lanyard screw into the hole and securely attach the bubble assemble to the camera bottom base.
13. Align the three holes on the bubble assembly with the three holes on the camera bottom base.
14. Use the T10 security key to securely attach the three captive screws on the bubble assembly to the camera bottom base.

Installing the camera onto an electrical junction box

You can mount the camera onto a single gang or a two-gang electrical box.

1. See steps 1 and 2 in the **Installing the camera onto a wall or ceiling** procedure.
2. Remove the screws from the electrical box cover plate.
3. Hold the adaptor plate up to the electrical box and align the holes on the adaptor plate with the holes on the electrical box.
4. Insert the screws into the holes and securely attach the adaptor plate to the electrical box.
5. Hold the camera bottom case up to the adaptor and connect the cables to their respective ports on the camera. See the 'Connecting the cables section'.
6. Align the three holes on the camera bottom base with the three holes on the adaptor plate.
7. Use the T10 security key to secure the three captive screws on the camera bottom base to the adaptor plate.
8. See steps 6 to 14 in the **Installing the camera onto a wall or ceiling** procedure to complete the installation.

Warnings

1. Installation and service should be performed only by qualified and experienced technicians and comply with all local codes and rules to maintain your warranty.
2. These units operate at AC 24V/ PoE.
3. Wipe the camera with a dry soft cloth. For tough stains, slightly apply with diluted neutral detergent and wipe with a dry soft cloth.
4. Do not apply benzene or thinner to the camera, which may cause the surface of the unit to be melted or lens to be fogged.
5. Avoid operating or storing the unit in the following locations:
 - Near fluorescent lamps or objects with reflections.
 - Under unstable or flickering light sources.

Table 4: Camera part numbers and descriptions

Product Code	Description
IFS02-D12-OIA4	Illustra Flex Gen4 2MP Mini-Dome, 2.7-13.5mm, Outdoor, IP67, IK10, TDN w/IR, TWDR
IFS04-D12-OIA4	Illustra Flex Gen4 4MP Mini-Dome, 2.7-13.5mm, Outdoor, IP67, IK10, TDN w/IR, TWDR
IFS08-D13-OIA4	Illustra Flex Gen4 8MP Mini-Dome, 3.6-11mm, Outdoor, IP67, IK10, TDN w/IR, TWDR