

Quick Start Guide

(A163816DDT_A)

Illustra Flex Gen4, 2MP, 4MP & 8MP Indoor Dome cameras
HDMI adaptor cable (IA-HDM-OD-F4D)

Introduction: The HDMI adaptor cable is an accessory that is used to connect a standard HDMI cable to the cameras HDMI port.

In the box

- 1 x HDMI adaptor cable



Installing the HDMI adaptor cable to a camera (continued)

3. Flip the camera bottom base and remove the waterproof rubber insert (1) (Figure 1).

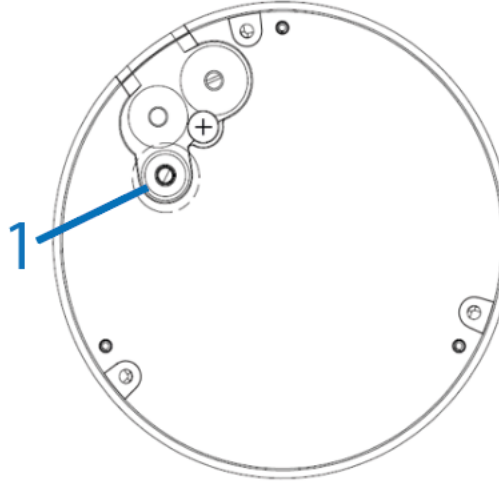


Figure 1

4. Carefully bend and insert the HDMI cable adapter (micro coax flat end) (1) (Figure 2) through the hole on the camera base.
Note: You can rotate the camera lens to make it easier to insert the connector and cable through the hole on the camera bottom base. Ensure that the waterproof rubber on the HDMI cable is correctly inserted into the hole on the camera bottom base.

Installing the HDMI adaptor cable to a camera (continued)

6. Install the HDMI cable adapter micro coax flat end (1) (Figure 4) into the connector (2) (Figure 4) on the camera and carefully insert the HDMI connector cover back into the camera.

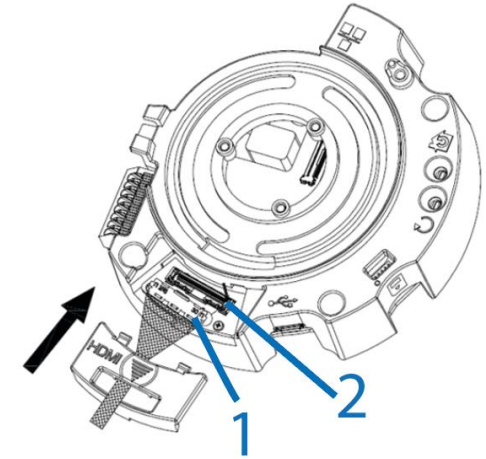


Figure 4

- OPTIONAL:** Pull on the HDMI cable to reduce the amount of cable around the camera lens. If an excess amount of the cable is inserted through the hole, then it may become difficult to attach the bubble assembly to the camera bottom base.
7. Insert the HDMI cable (1) (Figure 5) into the cable lock (2) (Figure 5) on the camera bottom base.

Installing the HDMI adaptor cable to a camera

1. Disconnect the bubble assembly from the camera bottom case as per the instructions that come with the Indoor Dome or Outdoor Dome QSG (PN 8200-2076-01 and 8200-2076-05).
2. Disconnect the 24V AC power cable (See Table 1) and disconnect the power over ethernet cable (See Table 1) from the camera base.

Table 1: Power cable icons on the camera base

Icon	Description
	Power over Ethernet (PoE) port
	24V AC

Installing the HDMI adaptor cable to a camera (continued)

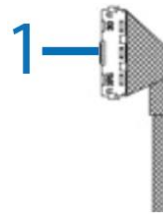


Figure 2

5. Remove the HDMI connector cover from the camera base and route the HDMI cable adapter (micro coax flat end) (1) (Figure 3) through the hole on the HDMI connector cover (2) (Figure 3).

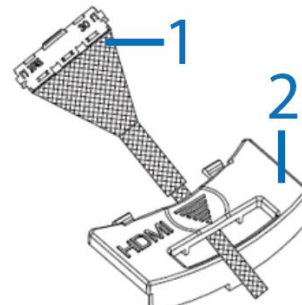


Figure 3

Installing the HDMI adaptor cable to a camera (continued)

8. Attach the bubble assembly to the camera bottom case as per the instructions that come with the Indoor Dome or Outdoor Dome QSG (PN 8200-2076-01 and 8200-2076-05).

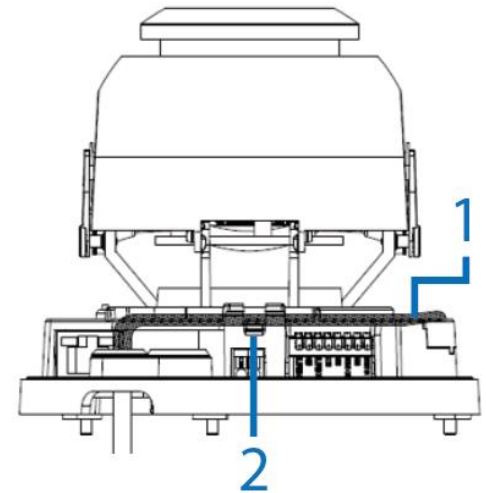


Figure 5