

Quick Start Guide

(8200-2088-01_C)

Illustra Pro Gen4 20MP and 32MP Outdoor Multisensor Dome camera (P/N IPR20-M12-OIA4 & IPR32-M13-OIA4)

In the box

- 1 x Camera
- 2 x Rubber grommets
- 4 x Plastic screw anchors
- 1 x T20 Torx Wrench
- 4 x TP4 Self-tapping screws
- 1 x Side Cover
- 1 x RJ45 Insert Tool
- 2 x T20 Screw for side cover
- 1 x Mounting Template
- 1 x 12-pin Terminal connector for I/O function
- 1 x 2-pin Terminal block
- 1 x Printed Quick Start Guide
- 1 x Printed Regulatory Document

Installation tools

- 1 x T20 Torx wrench
- 1 x Drill
- 1 x Wire cutters



Table 1: PG4 Multisensor Dome camera parts descriptions

Number	Description
1	Camera Top Cover with Bubble
2	Camera Lens Module
3	Pre-Fitted RJ45 cable
4	Mount Plate

Quick reference

- Default IP: 192.168.1.168 (DHCP enabled)
- Default Username / Password: admin / admin
- Power: POE 802.3bt Type 4 (90w) Class 8 (71.3W / 0.96A) or 24V AC or DC (81W / 3.54A)

Figure 2a: Camera interior buttons / connections

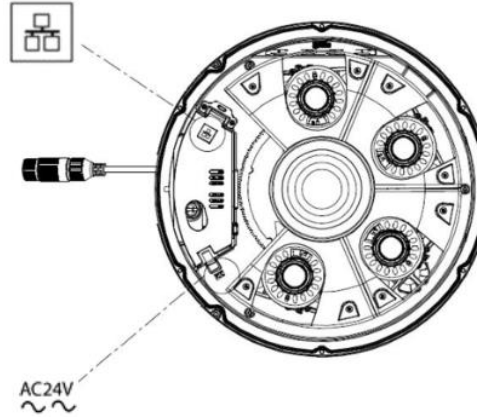


Figure 2a

Table 2: Camera interior buttons / connections descriptions

Buttons / Connectors	Description
	PoE Ethernet port
AC24V	AC24V Power connector
	Reboots the camera (Press for 1 second)
	Reset to factory defaults (Hold for 5 seconds for a soft reset / Hold for 20 seconds for a hard reset)
AUDIO ALARM	DI/DO (Digital Input/Output) ports are equipped for external devices, e.g., smoke detector, siren, microphone. Alarm In: Via "GND" and "Alarm In" ports, connect to external device that can trigger alarm input signals. Alarm Out: Via "COM" and "Alarm Out" ports, connect to external device to be triggered through alarm output signals. Audio In: Via "GND" and "Audio In" ports, connect to external device such as microphone that receives sound for camera. Audio Out: Via "GND" and "Audio Out" ports, connect to device such as speaker to be triggered through alarm output signals.
	Micro USB port

Figure 1: PG4 Multisensor Dome camera parts

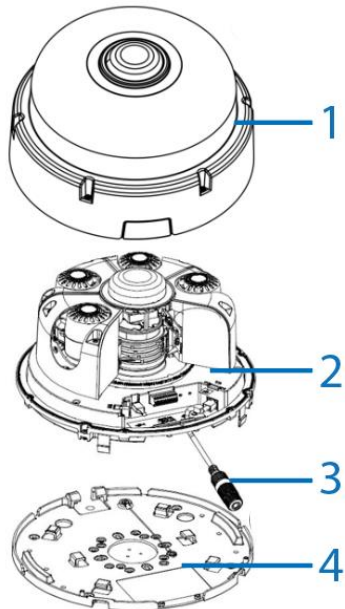


Figure 1

Figure 2b: Camera interior buttons / connections

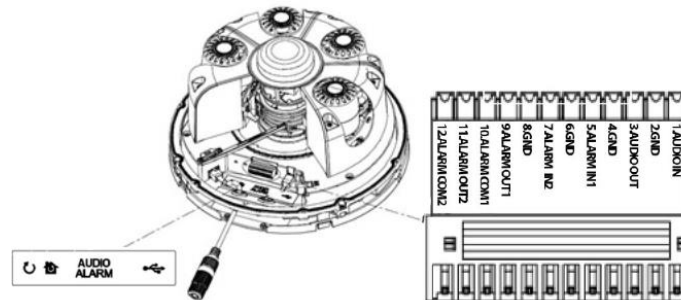


Figure 2b

Inserting or removing the SD card

1. Disassemble the camera as per steps 1 to 2 in 'Disassembling the camera' procedure and carefully insert or remove the micro-SD card (Figure 3) into or from the camera.
Note: It is advised that you reboot the camera after inserting the micro-SD card.

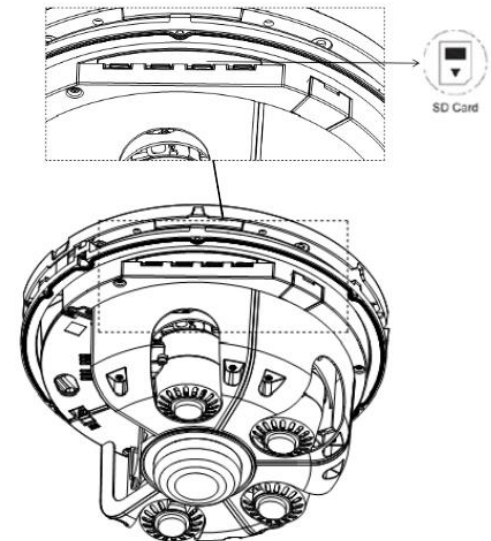


Figure 3

Disassembling the camera

1. Use the T20 Torx wrench to remove the 6 screws located on the camera top cover (1) (Figure 1) and then remove the camera top cover. The camera lens module (2) (Figure 1) is now exposed.
2. Use the T20 Torx wrench to remove the two screws (1) (Figure 4) on the camera lens module and remove the mounting plate (4) (Figure 1) from the camera lens module.

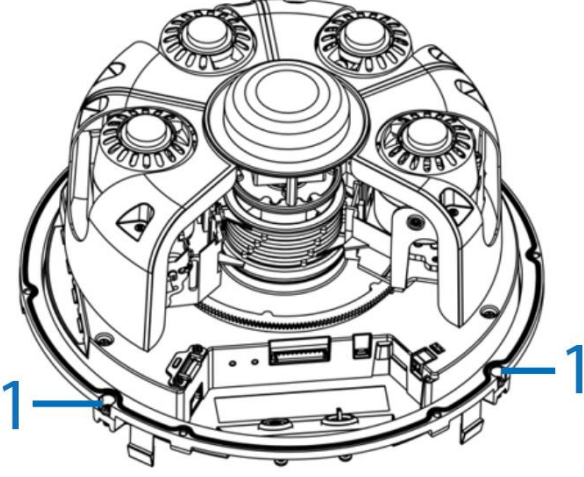


Figure 4

Installing the camera onto a wall or ceiling (continued)

8. Insert the 'hinge pins' (2) (Figure 6) on the camera module lens into the 'hinge knuckle' on the mounting plate. '3' in Figure 8 identifies how the camera lens module and mounting plate attach together.

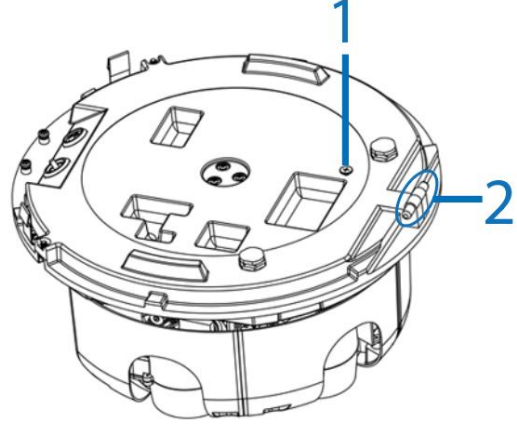


Figure 6

9. Pull all cables through the cable hole in the mounting plate.
OR
If you are using the cable side entry on the mounting plate, remove the cable side entry cover screw and route all cables through the cable side entry.
10. Insert the RJ-45 cable (3) (Figure 7) into the insert tool (2) (Figure 7) remove the rubber grommet (2) (Figure 8) from the camera lens module.
11. Pierce the rubber grommet (1) (Figure 7) by passing the insert tool and cable through the center of the rubber grommet.

Installing the camera onto a wall or ceiling (continued)

OPTIONAL: Insert audio in / out cables and alarm in / out cables to the corresponding terminals on the camera if required and plug in a micro-USB device to the USB port.

Note: The polarities should be matching when using DC 48V power source. It is recommended to connect external microphones to ground (GND) on the digital I/O connector.

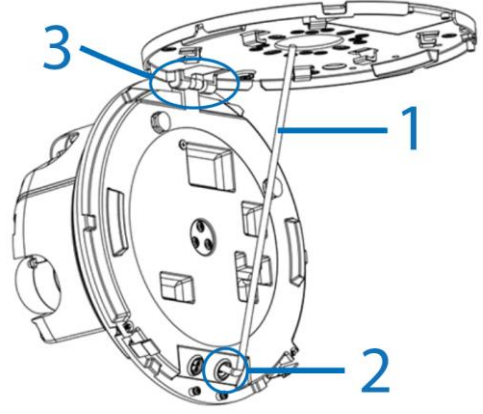


Figure 8

16. Hold the camera top cover (1) (Figure 1) up to the camera lens module and align the six holes on the camera top cover with the six holes on the camera lens module.
17. Insert the six screws and securely attached the camera top cover to the camera lens module.

Installing the camera onto a wall or ceiling

1. Disassemble the camera as per steps 1 to 2 in 'Disassembling the camera' procedure.
2. Hold the mounting template sticker up to the surface and mark out four holes as per the instructions on the template sticker.
3. Drill four holes on the surface and insert the four screw anchors into the four holes.
4. If you are not using the cable side entry hole on the mounting plate, then cut out a cable hole on the surface as per the instructions on the template sticker.
5. Hold the mounting plate (3) (Figure 1) up to the surface and align the four holes on the mounting plate with the four holes on the surface.
6. Insert the four T4 self-tapping screws into the four holes and use the T20 Torx wrench to securely attach the mounting plate to the surface.
7. Hold the camera lens module up to the mounting plate and insert the 'loop' on the safety lanyard (1) (Figure 5) that is attached to the mounting plate to the screw (1) (Figure 6) on the camera lens module.

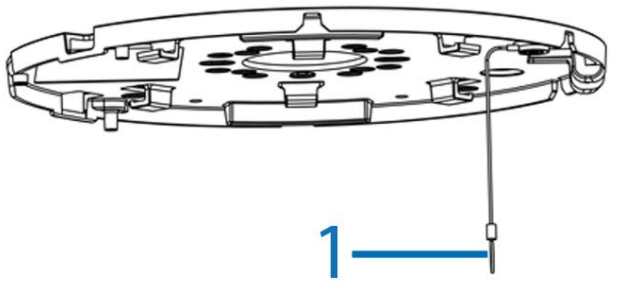


Figure 5

Installing the camera onto a wall or ceiling (continued)

12. Pass the insert tool and cable (1) (Figure 8) through the rubber grommet hole (2) (Figure 8) on the camera lens module.
13. Remove the insert tool, connect the RJ 45 cable to the camera lens module ethernet connector, and insert the rubber grommet into the camera lens module hole to prevent water/dust ingress.

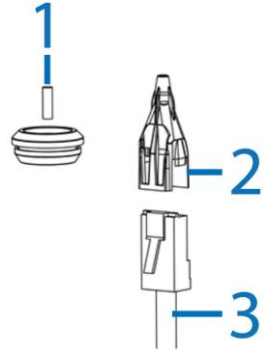


Figure 7

14. Snap the camera lens module into the mounting plate and secure the two screws on the camera lens module into the two holes on the mounting plate using the T20 Torx wrench.
15. Based on your needs, connect the power cable to the power port through one of the following options.
 - **POE 802.3bt Type 4 (90w) Class 8 (71.3W / 0.96A):** Connect an Ethernet cable terminated with a RJ-45 connector to the PoE RJ-45 port for both power supply and network connectivity purposes simultaneously.
 - **24V AC or DC (81W / 3.54A):** Connect a power cable that supplies AC24V power source to the power terminal.

WARNINGS

- This camera operates at POE 802.3bt Type 4 (90w) Class 8 (71.3W / 0.96A) or 24V AC or DC (81W / 3.54A)
- Installation and service should be performed only by qualified and experienced technicians and comply with all local codes and rules to maintain your warranty.
- The warranty does not cover any damage arising either directly or indirectly from inappropriate installation which is not depicted within this documentation.
- Wipe the camera with a dry soft cloth. For tough stains, slightly apply with diluted neutral detergent and wipe with a dry soft cloth.
- Do not apply benzene or thinner to the camera, which may cause the surface to be melted or lens fogged.
- Avoid aligning the lens with extremely bright objects (e.g., light fixtures) for long periods of time.
- Although this camera is waterproof and suitable for both indoor and outdoor usages, please do not sink the camera into water. Contact your dealer in case of sunk.
- Avoid operating or storing the camera in the following locations:
 - Close to sources of powerful radio or TV transmitters
 - Close to fluorescent lamps or objects with reflections
 - Under unstable or flickering light sources