

Quick Start Guide

(8200-1937-02_C)

Illustra Flex Gen 3 Bullet Camera

In the box

- 1 x Bullet camera
- 1 x Mounting template sticker
- 1 x Mounting plate
- 4 x 50x4mm tapping screws
- 4 x 40x6mm plastic screw anchors
- 1 x Cap Installer
- 3 x Cable Bush
- 1 x Printed Quick Start Guide
- 1 x Torx driver

Installation tools

- 1 x Philips Screw Driver
- 1 x 'L' type wrench
- 1 x Drill



Camera Parts: Figure 1

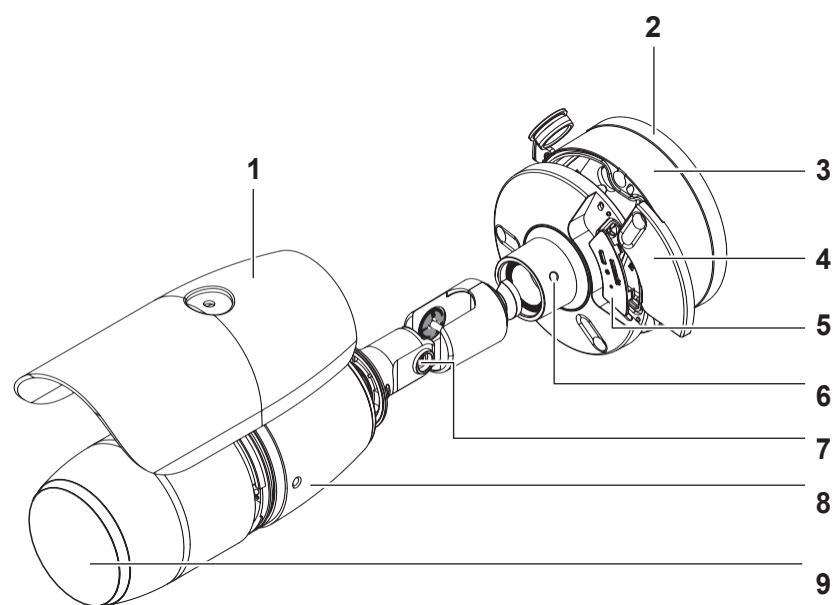


Figure 1

Table 1: Camera part descriptions

Camera Part	Description
1	Sun shield cover
2	Mounting plate
3	Camera base
4	Camera buttons cover
5	Camera Buttons
6	Tilt Adjustment body
7	Pan Adjustment body
8	Camera body
9	Camera lens

Quick reference

- Default IP: 192.168.1.168 (DHCP enabled)
- Default Username / Password: admin
- Power: AC24V / PoE 802.3af

Mounting and powering up the camera

1. Place the mounting template sticker on the surface that you want to attach the camera.
2. On the surface drill four Ø 5mm holes and cut out two Ø 23mm cable holes as per the markings identified on the mounting template sticker.

Mounting and powering up the camera (continued)

3. Securely place the four screw anchors into the four Ø 5mm holes.
4. Hold the mounting plate (2) (Figure 1) up to the surface and align the holes on the mounting plate with the Ø 5mm holes and securely attach the mounting plate to the surface with the four screws.
5. Unscrew the three screws on the camera base (3) (Figure 1) to remove the camera from the camera base.

Note: To fully disconnect the camera from the camera base you must disconnect the safety wire from the 'arrow' in the camera base.
6. Insert the PoE cable or AC24V cable through one of the cable holes on the camera base.

Note: Ensure that the rubber plugs on the cable is correctly inserted into the cable hole on the camera base.
7. You must run the cable through the cable side entry hole on the camera base or through the hole on the mounting surface before you attach the camera base to the mounting plate.
 - If you decided to use the cable hole on the mounting surface then place the cable through the hole and securely attach the camera base to the mounting plate with the three screws.
 - If you decided to use the cable side entry slot on the camera base then unscrew the mounting plate and remove the screw holding the cable side entry cover in place. Then insert the cable through the cable side entry slot and securely attach the mounting plate to the surface.

Mounting and powering up the camera (continued)

8. Hold the camera up to the mounting plate and securely connect the safety wire in the camera to the 'arrow' in the camera base.
9. Connect the PoE cable to the PoE slot on the camera or the AC24V cable to the AC24 connection on the camera.
10. Securely attach the camera body (8) (Figure 1) to the camera base with the three screws.
11. Connect the 24Vac cable to the AC 24V terminal or connect the RJ-45 jack to a PoE compatible network device that supplies power through the Ethernet cable.

Camera buttons and connections: Figure 2

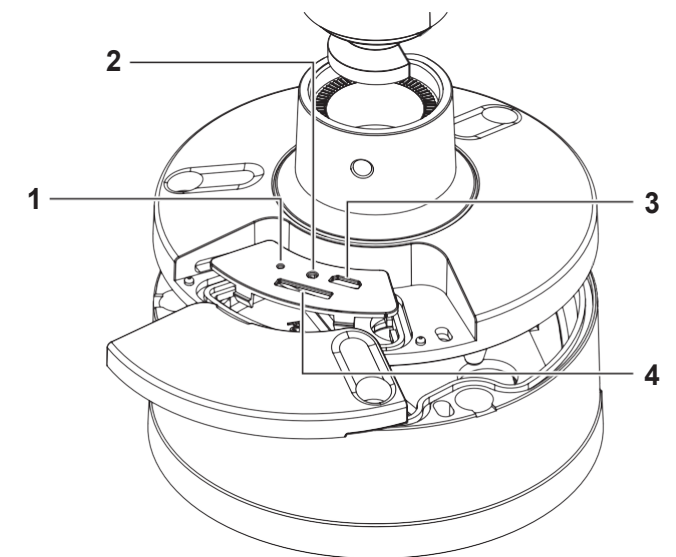


Figure 2

Camera buttons and connections (continued): Figure 3

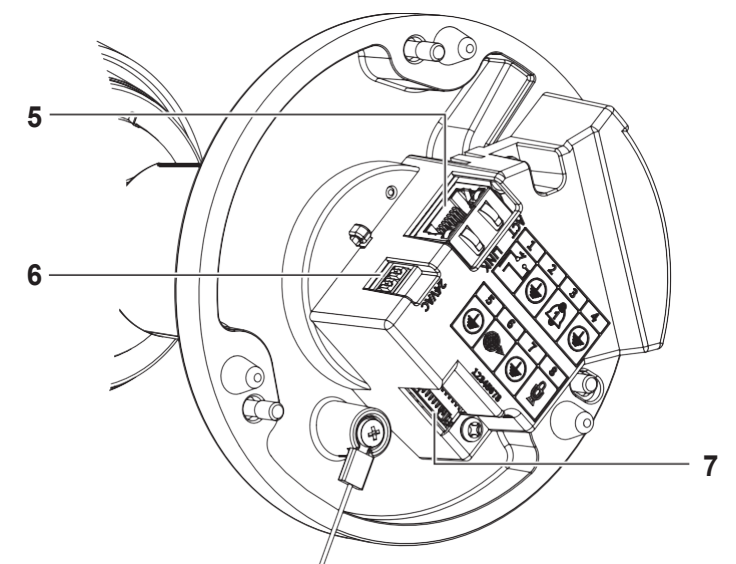


Figure 3

Table 2: Camera buttons and connections descriptions

Camera button / connection	Description
1	Focus button <ul style="list-style-type: none">• Hold for 3 seconds to run one touch focus
2	Factory reset <ul style="list-style-type: none">• Hold for 5 seconds for soft reset• Hold for 20 seconds for hard reset
3	USB cable connection
4	Micro SD card slot
5	PoE cable slot
6	AC cable connection
7	Audio / Alarm cable connection

Adjusting the camera position

1. Use the 'L' type wrench to:
 - i. Unlock the screw (6) (Figure 1) and tilt the camera body.
 - ii. Unlock the screw (6) (Figure 1) and tilt the camera body.

Note: You must securely attach both screws to ensure that the camera holds the modified position.

Adjusting the sun shield

1. Loosen the thumb-screw on the sun-shield cover (1) (Figure 1) to move the sun shield cover forward and backward over the camera body.

Note: You must securely lock the sun shield thumb-screw to ensure that the cover holds the modified position.

Warnings

- This product is intended for professional installation, please follow local wiring regulations.
- To meet EU security immunity requirements this product should be used with an Uninterruptable Power Supply to feed the mains input of any power adaptor.
- The product should be powered by a limited power supply (LPS) sized according to the product rating label.
- The LAN symbol on the unit means this is not intended for connection to a public network or a LAN from a different building.
- For outdoor use the camera should be mounted at least 3m above ground level.

© 2022 Johnson Controls. All rights reserved.

JOHNSON CONTROLS, TYCO and ILLUSTRATION are trademarks and/or registered trademarks. Unauthorized use is strictly prohibited.