

Quick Start Guide

(8200-1937-01_D)

Illustra Flex Gen 3 Indoor Dome Camera

In the box

- 1 x Indoor dome camera
- 1 x Mounting template sticker
- 1 x Mounting plate
- 2 x 50x4mm tapping screws
- 2 x 40x6mm plastic screw anchors
- 2 x 10x4mm mounting plate screws
- 1 x Printed Quick Start Guide

Installation tools

- 1 x Drill
- 1 x Screw Driver



Camera Parts: Figure 1

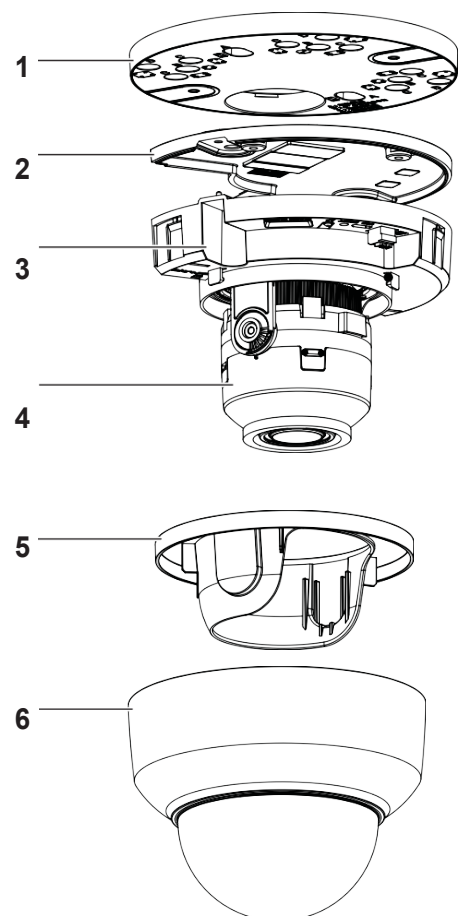


Figure 1

Quick reference

- Default IP: 192.168.1.168 (DHCP enabled)
- Default Username / Password: admin
- Power: AC24V / PoE802.3af

Table 1: Camera part descriptions

Camera Part	Description
1	Mounting Plate
2	Camera base
3	Camera body
4	Camera Lens
5	Camera lens cover
6	Dome Cover

Mounting and powering up the camera

1. Place the mounting template sticker on the surface that you want to attach the camera.
2. On the surface drill two Ø 6mm holes and cut out a cable hole as per the markings identified on the mounting template sticker.
3. Securely place the two screw anchors into the two Ø 6mm holes.

Mounting and powering up the camera (continued)

4. Hold the camera dome with one hand and rotate the camera base to unlock it and remove it from the dome.
Note: The camera dome includes a 'lock' and 'unlock' symbol to assist with step 4.
5. Gently pull up and remove the camera lens cover (5) (Figure 1) to easily access the cable connections and buttons.
6. Connect the PoE cable to the PoE slot on the camera or the AC24V cable to the AC24 connection on the camera.
7. Before you secure the mounting plate (1) (Figure 1) to the camera base (2) (Figure 2) you must place the cable through the cable hole on the camera mounting plate.
8. Place the mounting plate onto the camera base so that the three semicircular swellings on the mounting plate fit correctly into the three screw holes on the camera base.
9. Place the cable through the cable hole on the mounting surface.
10. Hold the mounting plate with camera base up to the mounting template and align two screw holes on the camera base with the two screw holes on the mounting surface.
11. Insert the two screws into the two holes on the camera base and securely attach the mounting plate and camera base to the surface.
12. Insert the camera lens cover (5) (Figure 1) on to the camera lens.

Mounting and powering up the camera (continued)

13. Hold the camera dome (6) (Figure 1) up to the camera base and rotate the camera dome to securely lock it to the camera base.
Note: The camera dome includes a 'lock' and 'unlock' symbol to assist with step 13.
14. Connect the AC 24V cable to an AC 24V terminal or connect the RJ-45 jack to a PoE compatible network device that supplies power through the Ethernet cable.

Camera buttons and connections: Figure 2

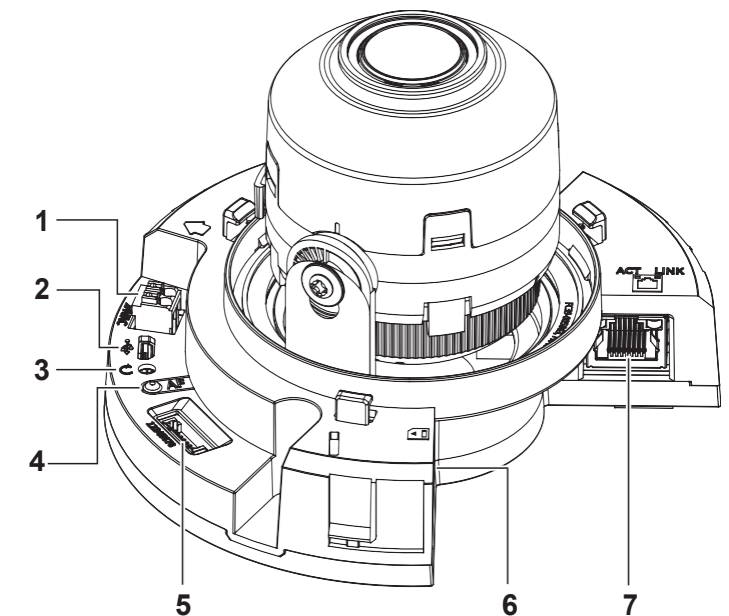


Figure 2

Table 2: Camera buttons and connections descriptions

Camera button / connection	Description
1	AC cable connection
2	USB cable connection
3	Factory reset <ul style="list-style-type: none"> • Hold for 5 seconds for soft reset • Hold for 20 seconds for hard reset
4	Focus button <ul style="list-style-type: none"> • Hold for 3 seconds to run one touch focus
5	Audio / Alarm cable connection
6	Micro SD card insert
7	PoE cable slot

Adjusting the camera position

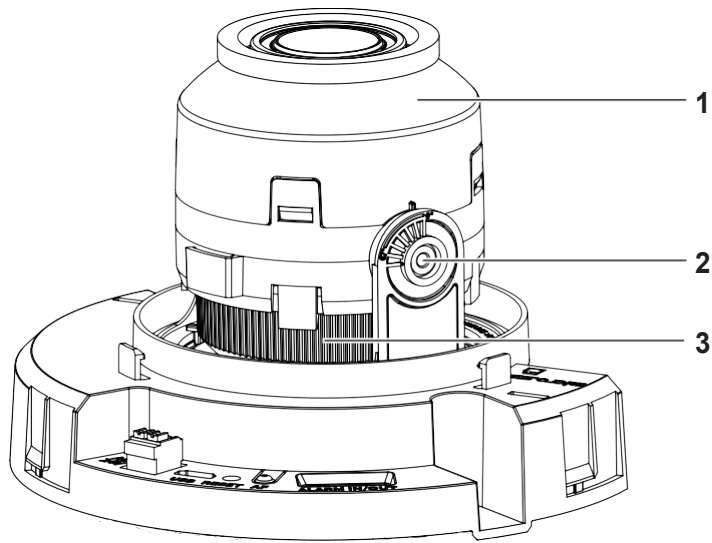


Figure 3

1. **Rotate:** The rotate range of the 3-axis gimbal is 0° to a minimum of 355°.
2. **Tilt:** The tilt range of the 3-axis gimbal is 0° to 67°.
3. **Pan:** The pan range of the 3 axis gimbal is 0° to 355°.

Warnings

- This product is intended for professional installation, please follow local wiring regulations.
- To meet EU security immunity requirements this product should be used with an Uninterruptable Power Supply to feed the mains input of any power adaptor.
- The product should be powered by a limited power supply (LPS) sized according to the product rating label.
- The LAN symbol on the unit means this is not intended for connection to a public network or a LAN from a different building.

Table 3: Mounting plate symbols and descriptions

Symbol	Name	Description
A	Single Gang Box	Attach the plate to a North American single gang electrical box.
B	Octagon Box	Attach the plate to a North American octagon electrical box.
C	Double Gang Box	Attach the plate to a North American double gang electrical box.
D	4S Junction Box	Attach the plate to a North American 4 inch square electrical box.

Removing or installing the dome cover

To remove the dome:

- Hold the camera dome (6) (Figure 1) with one hand and rotate the camera base (2) (Figure 1) to unlock it and remove it from the dome.
Note: The camera dome includes a 'lock' and 'unlock' symbol to assist with the above step.

To install the dome:

- Hold the camera dome (6) (Figure 1) up to the camera base (2) (Figure 1) and rotate the camera dome to securely lock it to the camera base.
Note: The camera dome includes a 'lock' and 'unlock' symbol to assist with the above step.

© 2022 Johnson Controls. All rights reserved.

JOHNSON CONTROLS, TYCO and ILLUSTRATION are trademarks and/or registered trademarks. Unauthorized use is strictly prohibited.