

Quick Start Guide

(8200-1937-09_D)

Illustra Flex Gen 3 Outdoor Dome Camera

In the box

- 1 x Dome camera
- 1 x Mounting template sticker
- 1 x Mounting plate
- 3 x 10x4mm mounting plate screws
- 3 x 40x6mm plastic screws anchors
- 3 x 50x4mm tapping screws
- 1 x Cap Installer
- 3 x Cable Bush
- 1 x Printed Quick Start Guide
- 1 x Torx driver
- 1 x Safety wire
- 1 x 8x3mm screw

Installation tools

- 1 x Screw Driver
- 1 x Torx driver
- 1 x Drill



Table 1: Camera part descriptions

Camera Part	Description
1	Mounting Plate
2	Cable side entry
3	Camera base
4	Camera lens
5	Dome Cover

Mounting and powering up the camera

1. Place the mounting template sticker on the surface that you want to attach the camera.
2. On the surface drill three Ø6mm holes, cut out a larger Ø 60mm cabling hole and triangle as per the markings identified on the mounting template sticker.
3. Securely place the three screw anchors into the three Ø 6mm holes.
4. Unscrew the three screws on the camera dome (5) (Figure 1) to remove the dome from the camera base (3) (Figure 1).
5. Insert the PoE cable **or** AC24V cable through the hole on the camera base.
Note: Ensure that the rubber plugs on the cable is correctly inserted into the cable hole on the camera base.

Mounting and powering up the camera (continued)

12. Connect the AC24V cable to the AC 24V terminal **or** connect the RJ-45 jack to a PoE compatible network device that supplies power through the Ethernet cable.

Camera buttons and connections: Figure 2

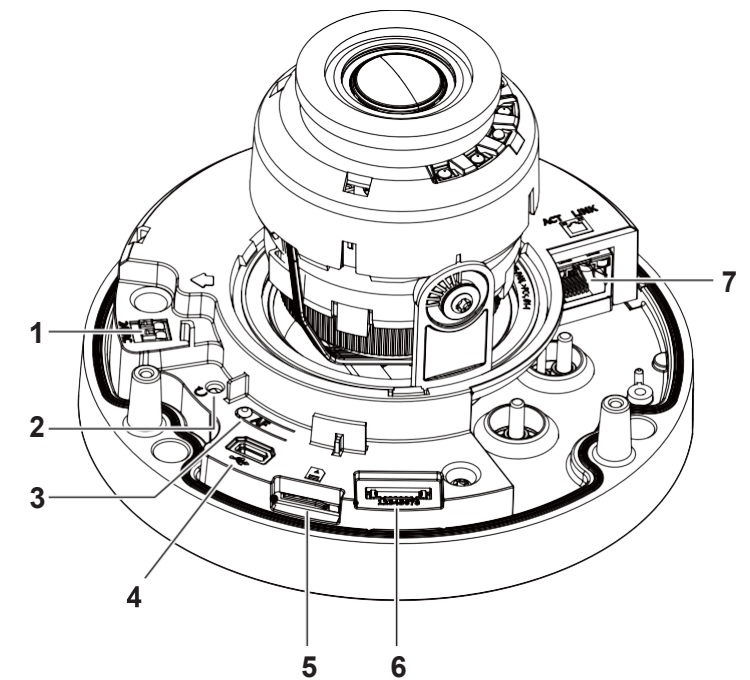


Figure 2

Quick reference

- Default IP: 192.168.1.168 (DHCP enabled)
- Default Username / Password: admin
- Power: AC24V / PoE 802.3af

Camera Parts: Figure 1

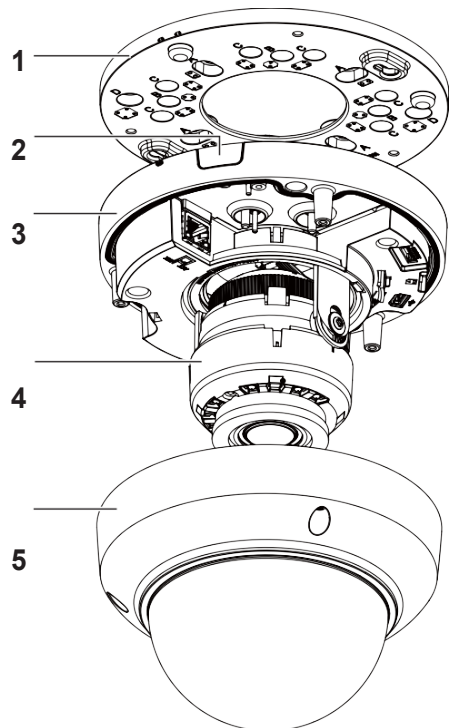


Figure 1

Mounting and powering up the camera (continued)

6. Connect the PoE cable to the PoE slot on the camera.
OR
Connect the AC24V cable to the AC24 connection on the camera.
7. Before you lock the mounting plate (1) (Figure 2) to the camera base you must place the cable through the cable side entry slot on the camera base (2) (Figure 1) **or** through the cable hole in the camera mounting plate.
 - When using the cable side entry slot you must first remove the cable side entry screw that holds the cable side entry cover in place.
 - If the cable is placed through the hole on the camera mounting plate then insert the cable through the hole on the mounting surface.
8. Place the camera base onto the mounting plate and rotate the camera base to lock it to the mounting plate.
Note: The mounting plate includes a 'lock' and 'unlock' symbol to assist with step 8.
9. Hold the mounting plate with camera base up to the mounting template and align the three holes on the mounting template with the three holes on the camera base.
10. Insert the three screws into the three holes on the camera base and securely attach the mounting plate and camera base to the surface.
11. Cover the camera with the dome cover and securely attach the dome to the camera with the three screws.

Table 2: Camera buttons and connections descriptions

Camera button / connection	Description
1	AC cable connection
2	Factory reset <ul style="list-style-type: none"> • Hold for 5 seconds for soft reset • Hold for 20 seconds for hard reset
3	Focus button <ul style="list-style-type: none"> • Hold for 3 seconds to run one touch focus
4	USB cable connection
5	Micro SD card slot
6	Audio / Alarm cable connection
7	PoE cable slot

Adjusting the camera position: Figure 3

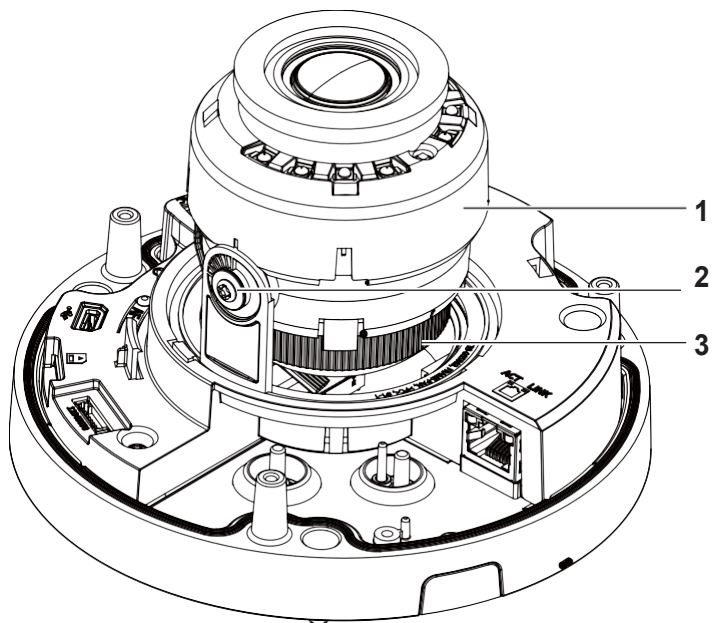


Figure 3

- 1. **Rotate:** The rotate range of the 3-axis gimbal is 0° to a minimum of 355°.
- 2. **Tilt:** The tilt range of the 3-axis gimbal is 0° to 67°.
- 3. **Pan:** The pan range of the 3 axis gimbal is 0° to 355°.

Table 3: Mounting plates symbols and descriptions

Symbol	Name	Description
A	Single Gang Box	Attach the plate to a North American single gang electrical box.
B	Octagon Box	Attach the plate to a North American octagon electrical box.
C	Double Gang Box	Attach the plate to a North American double gang electrical box.
D	4S Junction Box	Attach the plate to a North American 4 inch square electrical box.

Warnings

- This product is intended for professional installation, please follow local wiring regulations.
- To meet EU security immunity requirements this product should be used with an Uninterruptable Power Supply to feed the mains input of any power adaptor.
- The product should be powered by a limited power supply (LPS) sized according to the product rating label.
- The LAN symbol on the unit means this is not intended for connection to a public network or a LAN from a different building.
- For outdoor use the camera should be mounted at least 3m above ground level.

© 2022 Johnson Controls. All rights reserved.

JOHNSON CONTROLS, TYCO and ILLUSTRATION are trademarks and/or registered trademarks. Unauthorized use is strictly prohibited.