

Quick Start Guide

(8200-1937-03_C)

Illustra Flex Gen 3 Compact Dome Camera

In the box

- 1 x Compact Dome camera
- 1 x Mounting template sticker
- 1 x Mounting plate
- 3 x 40x6mm plastic screw anchors
- 3 x 50x4mm tapping screws
- 3 x 10x4mm mounting plate screws
- 1 x Printed Quick Start Guide
- 1 x Waterproof RJ45 cable accessory
- 1 x Torx driver

Installation tools

- 1 x Screw driver
- 1 x Torx driver
- 1 x Drill



Quick reference

- Default IP: 192.168.1.168 (DHCP enabled)
- Default Username: admin
- Default Password: admin
- Power: PoE 802.3af

Camera Parts: Figure 1

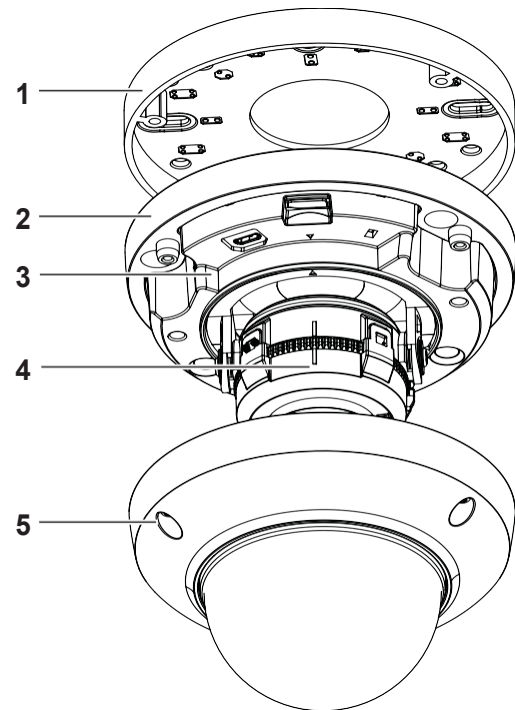


Figure 1

Table 1: Camera part descriptions

Camera Part	Description
1	Mounting Plate
2	Camera Base
3	Camera body
4	Camera lens
5	Dome cover

Mounting and powering up the camera

1. Place the mounting template sticker on the mounting surface.
2. On the mounting surface drill three Ø 6mm holes and cut out an Ø 22mm cabling hole as per the markings identified on the mounting template sticker.
3. Securely place the three screw anchors into the three Ø 6mm holes.
4. Unscrew the three screws on the camera dome (5) (Figure 1) to remove the dome cover from the camera base.
5. Place the PoE cable:
 - a. through the cable side entry slot on the camera base (2) (Figure 1).
 - OR**
 - b. through the cable hole on the mounting plate (1) (Figure 1).

Mounting and powering up the camera (continued)

6. Place the camera base (2) (Figure 1) on to the camera mounting plate (1) (Figure 1) and ensure that the three holes on the camera base align with the three holes on the mounting plate.

Note: If the PoE cable is placed through the cable hole on the mounting plate then insert the PoE cable through the Ø 22mm hole on the mounting surface.
7. Hold the mounting plate and camera base up to the mounting template and align the three holes on the mounting plate and camera base with the three holes on the mounting template.
8. Insert the three screws onto the three holes on the camera base and securely attach the mounting plate and camera base to the surface.
9. Cover the camera body with the dome cover (5) (Figure 1) and securely attach the dome to the camera with the three screws.
10. Connect the RJ-45 jack to a PoE compatible network device that supplies power through the Ethernet cable.

Camera buttons and connections: Figure 2

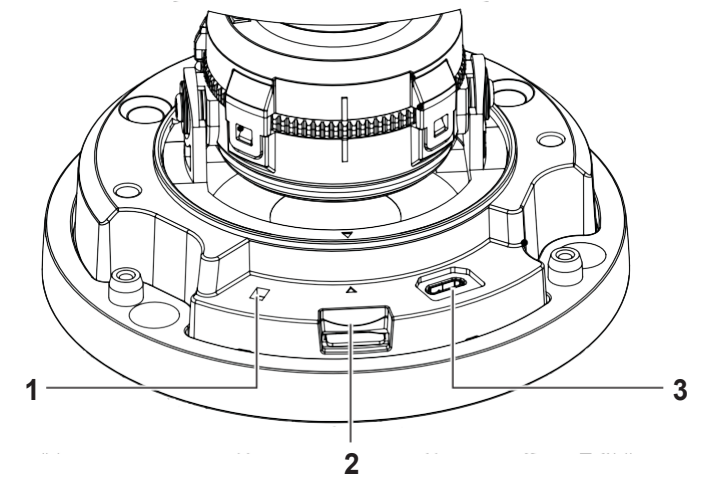


Figure 2

Table 2: Camera buttons and connections descriptions

Camera button / connection	Description
1	Reset button <ul style="list-style-type: none"> • Hold for 5 seconds for soft reset • Hold for 20 seconds for hard reset
2	Micro SD card
3	USB cable connection

Adjusting the camera position: Figure 3

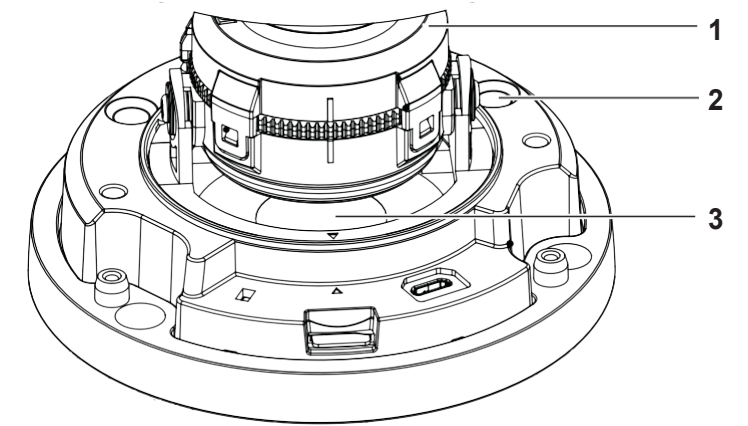


Figure 3

1. **Rotate:** The rotate range of the 3-axis gimbal is 0° to a minimum of 355°
2. **Tilt:** The tilt range of the 3-axis gimbal is 0° to 67°.
3. **Pan:** The pan range of the 3 axis gimbal is 0° to 355°.

Table 3: Mounting plate symbols and descriptions

Symbol	Name	Description
A	Single Gang Box	Attach the plate to a North American single gang electrical box.
B	Octagon Box	Attach the plate to a North American octagon electrical box.
C	Double Gang Box	Attach the plate to a North American double gang electrical box.
D	4S Junction Box	Attach the plate to a North American 4 inch square electrical box.

Warnings

- This product is intended for professional installation, please follow local wiring regulations.
- To meet EU security immunity requirements this product should be used with an Uninterruptable Power Supply to feed the mains input of any power adaptor.
- The product should be powered by a limited power supply (LPS) sized according to the product rating label.
- The LAN symbol on the unit means this is not intended for connection to a public network or a LAN from a different building.
- For outdoor use the camera should be mounted at least 3m above ground level.

© 2022 Johnson Controls. All rights reserved.

JOHNSON CONTROLS, TYCO and ILLUSTRATE are trademarks and/or registered trademarks. Unauthorized use is strictly prohibited.