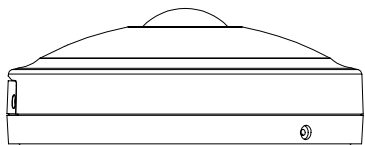
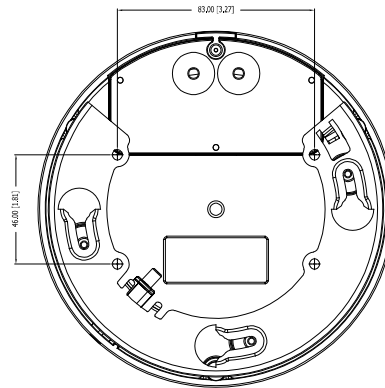
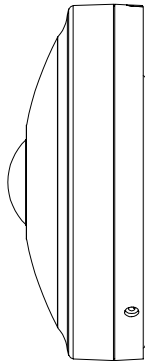
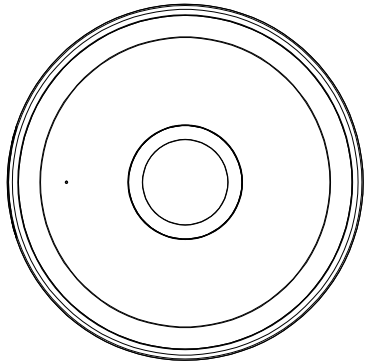
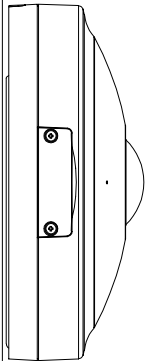
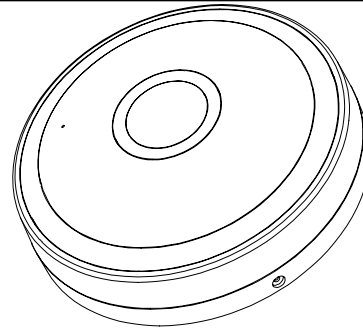
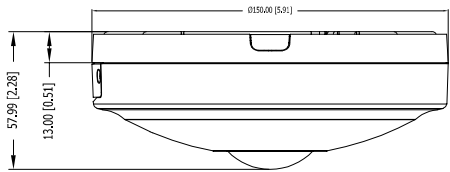


General Notes



Part	Material	Color
Top Cover	PC-2407	Black
Top Body	ADC-12	RAL 9003
Bottom Case	ADC-12	RAL 9003
Bubble	L-1225Z or S-3000UR	90% Transparent /45% Smoked
Waterproof plug *2	KE-951U	Black

UNIT : mm (inch)

A16381PF9U	A	02/23
No.	Rev.	Date

IPS12-F27-OIA4

Project	Sheet
Date	
Scale	