

Quick Start Guide (A163818TU7_B)

Pro Gen4 Multisensor Dome Ceiling Mount Installation Guide

You can install the Pro Gen 4 Multisensor dome into an indoor 2x2 suspended ceiling. First, you must secure the recess mount brackets (IBCR-M-ISWT-A) to the camera mount plate. The recess-mount-bracket / mount-plate assembly is then secured to the 2x2 ceiling tile (IBCT-M-IS-A).

Parts supplied with IBCT-M-IS-A

- Plate Mount, PG4 2x2 Mount
- Galvanised wire hanger
- T Bar ceiling kit
- IR PTZ 2x2 install kit

Part Number

- 0505-2956-01
- 2898-0007-01
- 0351-1673-01
- A163816BNK



Installing the 2x2 ceiling tile (continued)

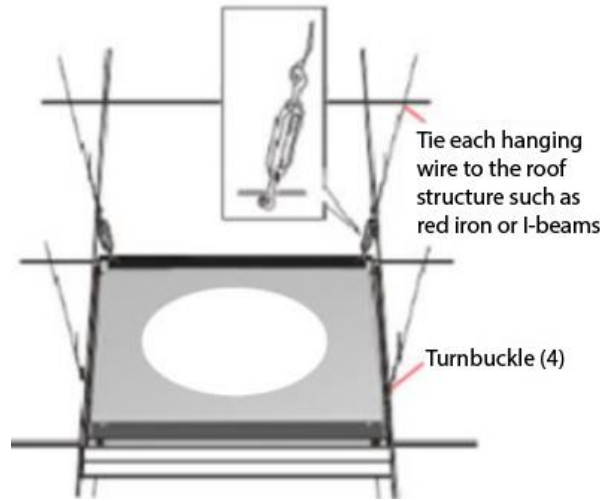


Figure 1

Disassembling the camera

1. Use the T20 Torx wrench to remove the 6 screws located on the camera top cover (1) (Figure 2) and then remove the camera top cover. The camera lens module (2) (Figure 2) is now exposed.
2. Use the T20 Torx wrench to remove the two screws (1) (Figure 3) on the camera lens module and remove the mounting plate (3) (Figure 2) from the camera lens module.

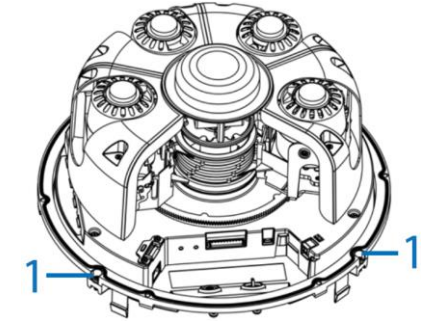


Figure 3

Part supplied with IBCR-M-ISWT-A

- 2 x Recessed Mount brackets
- 1 x Trim ring
- 8 x M5 Screws and washers
- 1 x Quick start guide
- 1 x T20 wrench
- 2 x Cover Mylars
- 1 x Safety wire screw

Installing the 2x2 ceiling tile

Note: If placing the ceiling mount into a 2x2 foot opening, use the T Bar ceiling Kit. See instructions supplied with the kit.

Note: Steps 1 to 8 below refer to **Figure 1**.

1. Remove the ceiling tile to create an opening and remove adjacent tiles on both sides of the opening to facilitate access to the cables.
2. Thread the four hanging wires around a roof structure nearest the four corners of the opening such as red iron or I-beams.
3. **Note:** Do not attached to pipes or conduit.
4. Twist each wire around itself at least four times to secure it to the roof structure.
5. Remove the four turnbuckles from the kit and fully extend the hook and eye of each one.
6. Insert the hook of the turnbuckle into each of the four holes on the mounting plate and using a pliers, crimp the hook to affix the turnbuckle to the plate.
7. Tilt the mounting plate to get it above the opening, then drop it in place.
8. Straighten each hanging wire, then thread it through the eye of the turnbuckle closest to it and twist it around itself at least four times.

Figure 2: PG4 Multisensor Dome camera parts

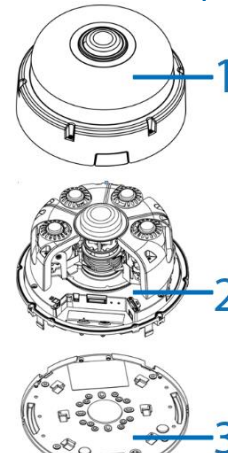


Figure 2

Table 1: PG4 Multisensor Dome camera parts descriptions

Number	Description
1	Camera Top Cover with Bubble
2	Camera Lens Module
3	Mount Plate

Installing the recess mount brackets into the 2x2 ceiling tile

1. Disassemble the camera as per steps 1 to 2 in **Disassembling the camera** procedure.
2. Install the 2x2 ceiling tile into the ceiling as per the *Installing the 2x2 ceiling tile* procedure.
3. Align both recessed mount brackets (2) (Figure 4) together and place the mount plate (1) (Figure 4) on top of both recessed mount brackets and align the eight holes on the mount plate with the eight holes on the recessed mount brackets.
4. Insert the eight screws with washers (1) (Figure 5) into the eight holes and use a screwdriver to securely attach the mount plate to the recessed mount brackets.

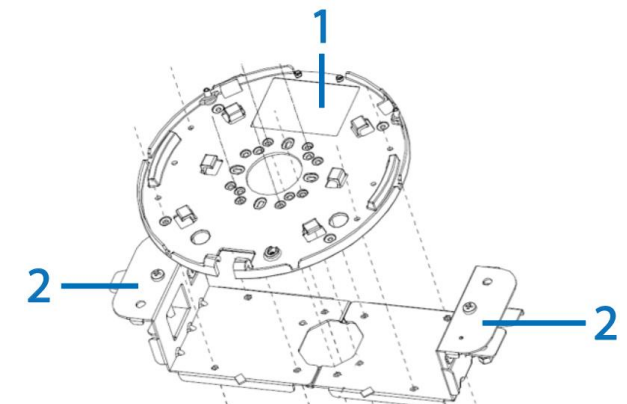


Figure 4

Installing the camera into the 2x2 ceiling tile (continued)

- Secure the safety wire screw (2) (Figure 5) using the T20 wrench.
- Insert the recess mount brackets with mount plate (1) (Figure 6) up into the hole in the ceiling tile (2) (Figure 6).

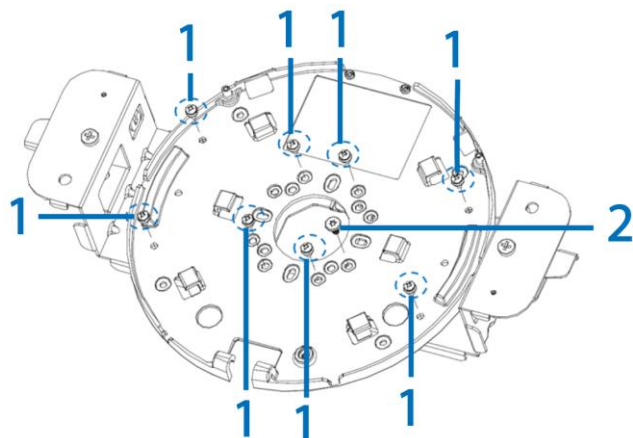


Figure 5

Installing the camera into the 2x2 ceiling tile (continued)

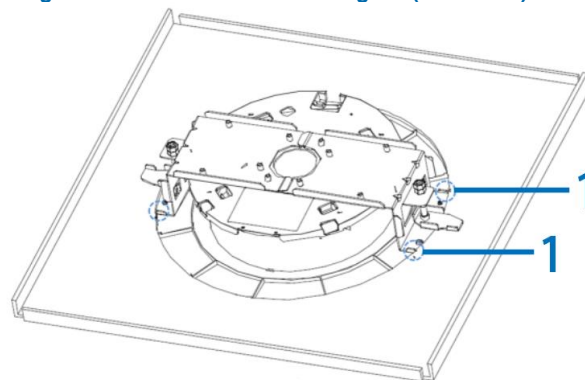


Figure 7

- Use a screwdriver to turn the 'locking' screws (1) (Figure 8) on **both** recess mount brackets clockwise to fully extend the 'swing out' mounting clips and seat them tightly against the top surface of the ceiling plate.

Installing the camera into the 2x2 ceiling tile (continued)

- Insert the 'hinge pins' (2) (Figure 10) on the camera module lens into the 'hinge knuckle' on the mounting plate. **'3' in Figure 12 identifies where the camera lens module and mounting plate attach.**

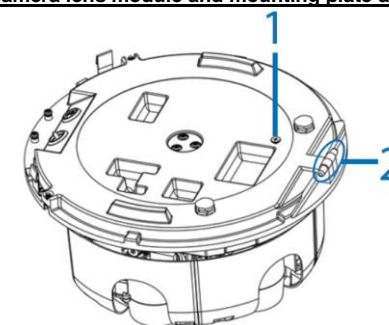


Figure 10

- Pull all cables through the cable hole in the mounting plate.

OR

If you are using the cable side entry on the mounting plate, remove the cable side entry cover screw and route all cables through the cable side entry.

- Insert the RJ-45 cable (3) (Figure 11) into the insert tool (2) (Figure 11) remove the rubber grommet (2) (Figure 12) from the camera lens module.
- Pierce the rubber grommet (1) (Figure 11) by passing the insert tool and cable through the center of the rubber grommet.

Installing the camera into the 2x2 ceiling tile (continued)

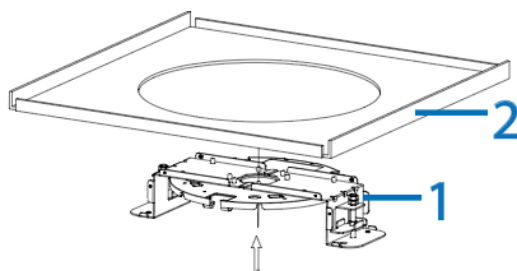


Figure 6

Note: The recess mount metal bracket's stops (2) (Figure 4) must rest against the edge of the tile's 400mm circle (1) (Figure 7), before the 'mounting clips' are secured for the camera assembly to be centralized in the recess mount tile.

Installing the camera into the 2x2 ceiling tile (continued)

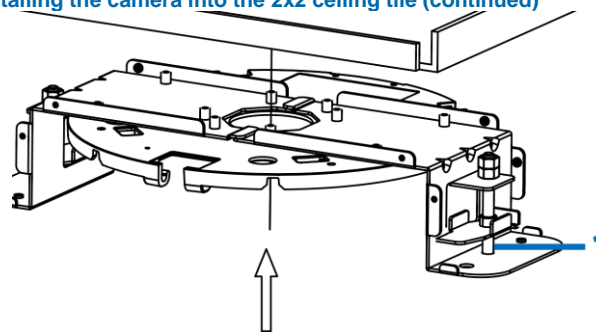


Figure 8

Optional: An additional safety lanyard (not included) can be attached to the safety wire screw and a fixed roof structure.

- Hold the camera lens module up to the mounting plate and insert the 'loop' on the safety lanyard (1) (Figure 9) that is attached to the mounting plate to the screw (1) (Figure 10) on the camera lens module.

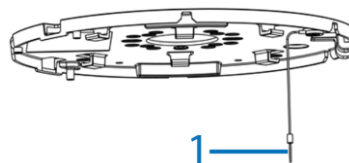


Figure 9

Installing the camera into the 2x2 ceiling tile (continued)

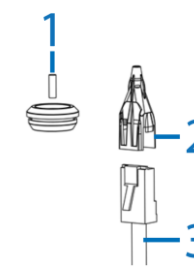


Figure 11

- Pass the insert tool and cable (1) (Figure 12) through the rubber grommet hole (2) (Figure 12) on the camera lens module.
- Remove the insert tool, connect the RJ 45 cable to the camera lens module ethernet connector, and insert the rubber grommet into the camera lens module hole to prevent water/dust ingress.
- Snap the camera lens module into the mounting plate and secure the two screws on the camera lens module into the two holes on the mounting plate using the T20 Torx wrench.
- Based on your needs, connect the power cable to the power port through one of the following options.
 - POE 802.3bt Type 4 (90w) Class 8 (71.3W / 0.96A):** Connect an Ethernet cable terminated with a RJ-45 connector to the PoE RJ-45 port for both power supply and network connectivity purposes simultaneously.
 - 24V AC (81W / 3.54A):** Connect a power cable that supplies AC24V power source to the power terminal.

Installing the camera into the 2x2 ceiling tile (continued)

OPTIONAL: Insert audio in / out cables and alarm in / out cables to the corresponding terminals on the camera if required and plug in a micro-USB device to the USB port.

Note: The polarities should be matching when using DC 48V power source. It is recommended to connect external microphones to ground (GND) on the digital I/O connector.

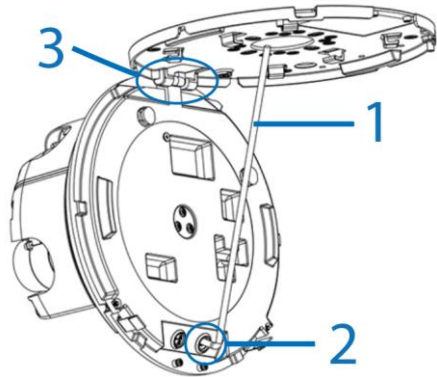


Figure 12

17. Hold the camera top cover up to the camera lens module and align the six holes on the camera top cover with the six holes on the camera lens module.
18. Insert the six screws and securely attached the camera top cover to the camera lens module.

Installing the camera into the 2x2 ceiling tile (continued)

19. Align the trim ring plate (1) (Figure 13) captive screws with the recess mount bracket threaded holes and secure the trim ring to the recess mount assembly using a T20 Torx screwdriver.

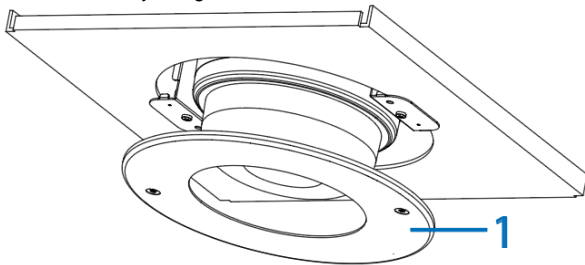


Figure 13

20. Insert the two mylars (1) (Figure 14) into the two screw holes on the trim ring plate to complete the installation.

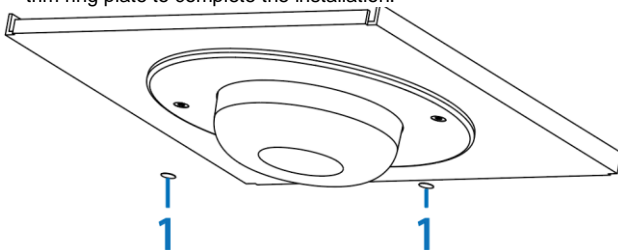


Figure 14