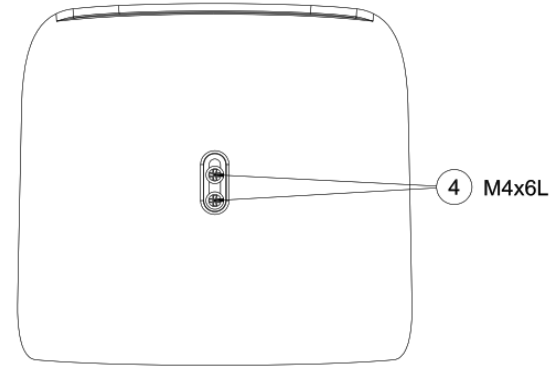
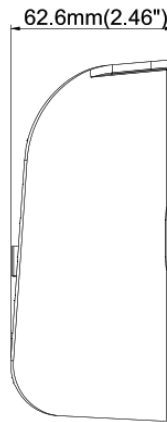
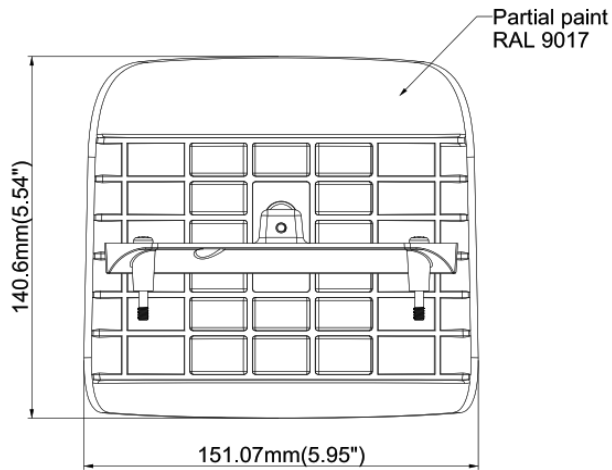
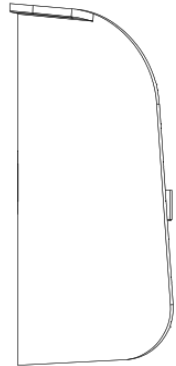
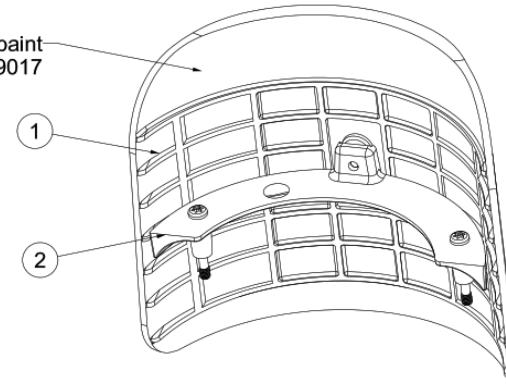


Torx M4x30 T20

Partial paint
RAL 9017



Item	Part	Material	Color	Q'ty
1	Weather shield	ADC-12	RAL 9003	1
2	Weather shield hood	ADC-12	RAL 9003	1
3	Torx M4x30 T20	SUS304	-	2
4	M4x6L	SUS304	-	2

Unit : mm(inch)

General Notes

A16381D7E6	B	03/23
No.	Rev.	Date

IA-CAP-WH-P4D

Project	Sheet
Date	
Scale	